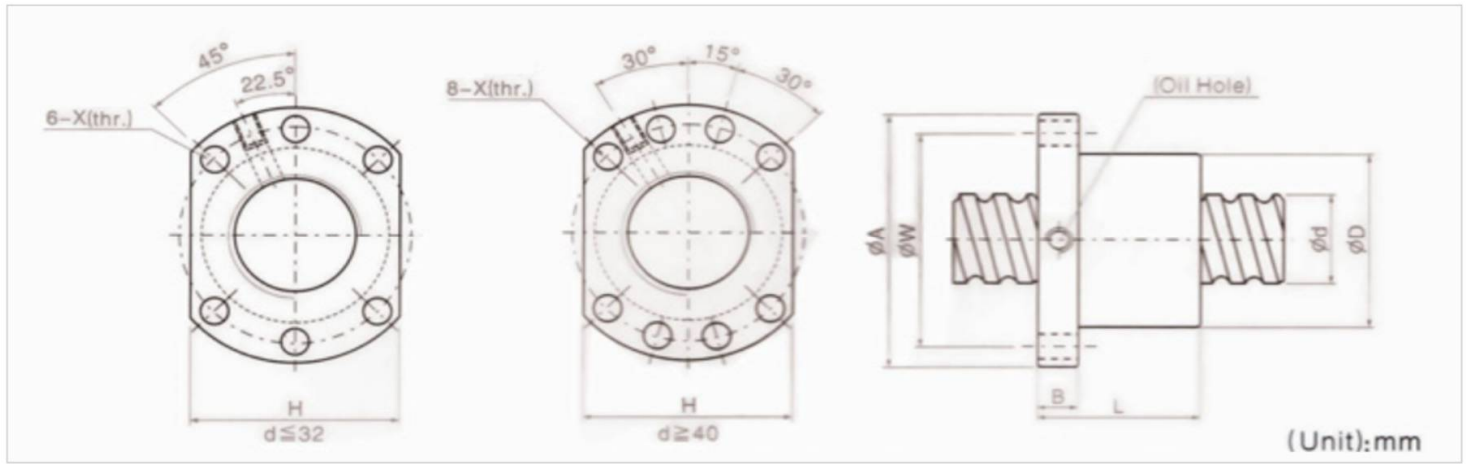


FSU Series Ball screw

Router Precision Rolled/Ground Linear Motion Ball Screw (6mm-80mm) with Nut (SFU SFK SFS SFE) Following Tbi Size Miniature/Large Lead



1: Lead. Da: Ball dia. N: Number of Circuits. K: Stiffness (Kgf/μm). Ca: Basic Dynamic Rating Load (Kgf). Coa: Basic Static Rating Load (Kgs).

Model N°.	d	l	Da	D	A	B	L	W	X	H	Q	n	Ca	Coa	K
SFU01201-4	12	4	2.5	24	40	10	40	32	4.5	30		4	593	1129	12.5
SFU01604-4	16	4	2.381	28	48	10	40	38	5.5	40	M6	4	629	1270	35
SFU01605-4		5	3.175				50					780	1790	20	
SFU01610-3		10	3.175				57					721	1249	15	
SFU02004-4	20	4	2.381	36	58	10	42	47	6.6	44	M6	4	699	1617	41
SFU02005-4		5	3.175				51					1130	2380	25	
SFU02504-4		4	2.381				42					777	2052	48	
SFU02505-4	25	5	3.175	40	62	10	51	51	6.6	48	M6	4	1280	3110	35
SFU02506-4		6	3.969				54					1528	3284	40	
SFU02508-4		8	4.762				63					1941	3863	38	
SFU02510-4		10	4.762				85					1944	3877	33	
SFU03204-4	32	4	2.381	50	80	12	44	65	9	62	M6	4	871	2661	56
SFU03205-4		5	3.175				52					1450	4150	40	
SFU03206-4		6	3.969				57					1720	4298	47	
SFU03208-4		8	4.762				65					2189	5079	44	
SFU03210-4	10	6.350	90	3390	7170	79									
SFU04005-4	40	5	3.175	63	93	14	55	78	9	70	M8	4	1610	5330	49
SFU04006-4		6	3.969				60					1911	5458	55	
SFU04008-4		8	4.762				67					2435	6469	52	
SFU04010-4		10	6.350				78					3910	9520	50	
SFU05010-4	50	10	6.350	75	110	16	93	93	11	85	M8	4	4450	12500	65
SFU05020-4		20	7.114				138					4644	14327	59.5	
SFU06310-4	63	10	6.350	90	125	18	98	108	11	95	M8	4	5070	16000	80
SFU06320-4		20	9.525				149					7573	23860	84.1	
SFU08010-4	80	10	6.350	105	145	20	98	125	13.5	110	M8	4	5620	21300	90
SFU08020-4		20	9.525				154					8485	30895	84.1	
SFU10020-4		20	9.525				150					202	30	180	170