

SDB-1USB-01 DC-DC USB Buck charging module (With working indicator lamp) for Android& IOS

33*16.5*8mm Patch USB P/N: 181438

This module is compatible with phone models of ANDURIO series, IPHONE series, HUA WEI, XIAOMI, NOKIA...

Product size: 33*16.5*8mm

Product weight: 3.5g

Input voltage range: 7-28V

Output voltage:5.2V (Output end is about 5.2V, and load end is about 5V, when consider with the consumption of charged circuit.)

Output current: 3A (Steady output current is 2A under when there isn't cooling devices.

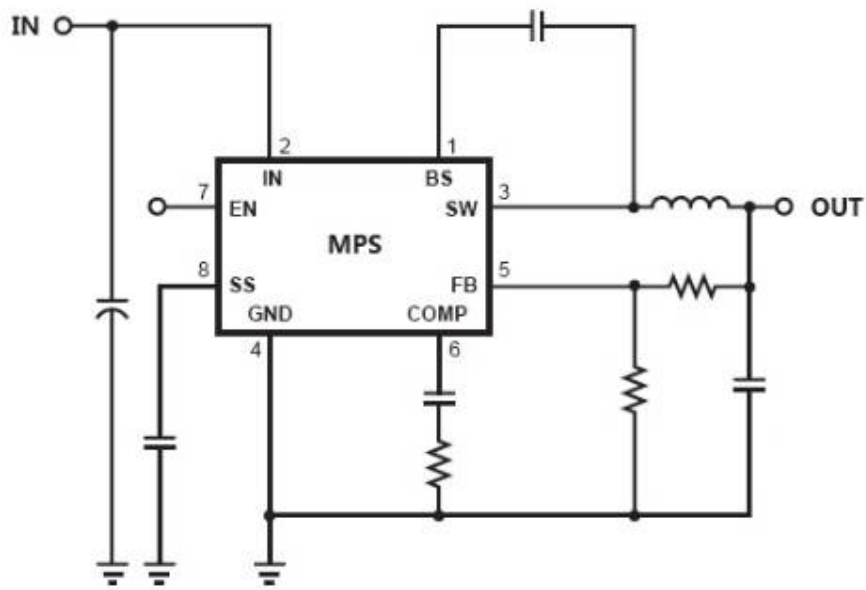
Attention one: Anode and cathode do not be reversed, what's more, input voltage do not supply more than 28V, otherwise it will damage of chip.

Attention two: Do not touch the samples' resistance and IC feet when the module is power on, otherwise it will lead to mutation of output voltage and damage equipment!

Explanation for some customers who is poor with electronic base: Do not think 3A nominal current can damage cell phone or equipment! Charging current is decided by cell phone or equipment! Most of charging current of cell phone is 0.8-1.5A.

Parameter				
Item	Minimum	Typical value	Maximum	Unit
Standby current (Ven=0V)	15	20	25	uA
Zero load current	8	12	16	mA
Input voltage	6	12	26	V
Output voltage	5.05	5.2	5.35	V
Output current	0	2	3	A
Over-current protection current	5	5.5	6	A
On resistance	80	100	120	mΩ
Frequency of open and close	335	385	435	KHz
High temperature protection	155	160	165	°C
Transfer efficiency	94	96	98	%
Environmental temperature	-40	25	85	°C

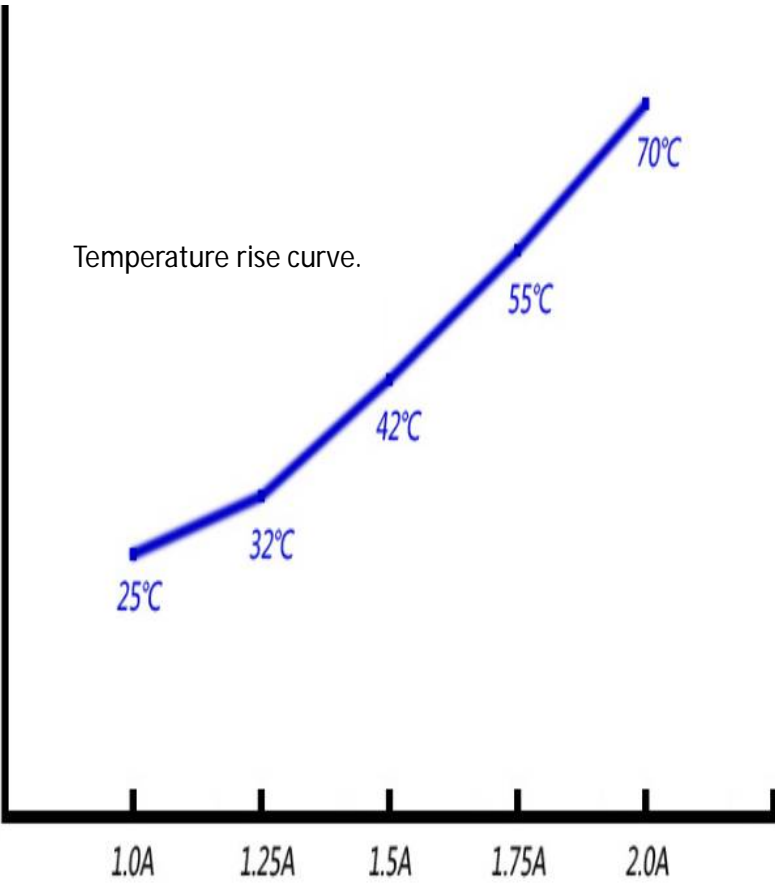
Working diagram of circuit



Test with load, the module can work steadily in a long time when output current is 2A!



Cell phone charging test, charging current can reach 1.6A.
(Notes: Different model of phones have different charging current.)



Steady working current is 2A when there is a fan to cool;

Working current can reach 3A when there isn't a fan to cool.

The highest temperature of IC chip is 95° C