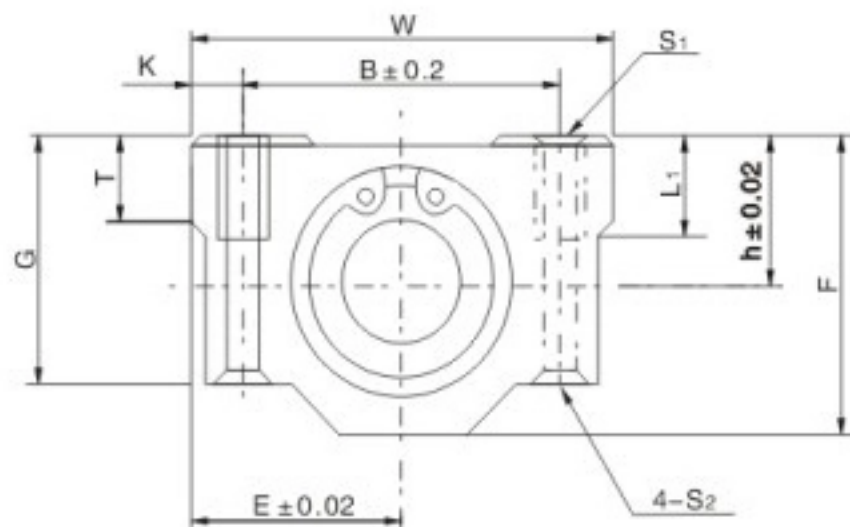
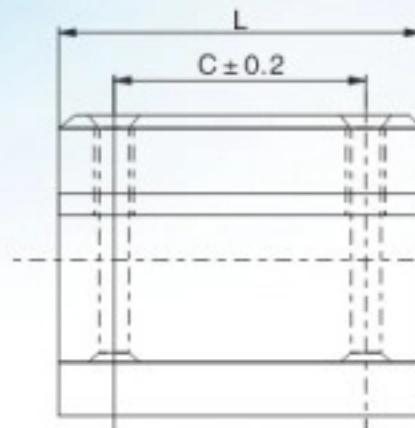


# Box style linear sliding

## SCS...UU SCS...LUU



| Unit Type | Dimensions ( mm ) |    |    |     |     |      |      |      |    |      |                |                |                | Slide bush |                   |                | Weight ( kg/m ) |
|-----------|-------------------|----|----|-----|-----|------|------|------|----|------|----------------|----------------|----------------|------------|-------------------|----------------|-----------------|
|           | T                 | h  | E  | W   | L   | F    | G    | B    | C  | K    | S <sub>1</sub> | S <sub>2</sub> | L <sub>1</sub> | Type       | Basic load rating |                |                 |
|           |                   |    |    |     |     |      |      |      |    |      |                |                |                |            | Dynamic C (kgf)   | Static Co(kgf) |                 |
| SCS 6UU   | 6                 | 9  | 15 | 30  | 25  | 18   | 15   | 20   | 15 | 5    | M4             | 3.4            | 8              | LM 6UU     | 206               | 265            | 34              |
| SCS 8UU   | 6                 | 11 | 17 | 34  | 30  | 22   | 18   | 24   | 18 | 5    | M4             | 3.4            | 8              | LM 8UU     | 274               | 392            | 52              |
| SCS 10UU  | 8                 | 13 | 20 | 40  | 35  | 26   | 21   | 28   | 21 | 6    | M5             | 4.3            | 12             | LM 10UU    | 372               | 549            | 92              |
| SCS 12UU  | 8                 | 15 | 21 | 42  | 36  | 28   | 24   | 30.5 | 26 | 5.75 | M5             | 4.3            | 12             | LM 12UU    | 510               | 784            | 102             |
| SCS 13UU  | 8                 | 15 | 22 | 44  | 39  | 30   | 24.5 | 33   | 26 | 5.5  | M5             | 4.3            | 12             | LM 13UU    | 510               | 784            | 120             |
| SCS 16UU  | 9                 | 19 | 25 | 50  | 44  | 38.5 | 32.5 | 36   | 34 | 7    | M5             | 4.3            | 12             | LM 16UU    | 774               | 1180           | 200             |
| SCS 20UU  | 11                | 21 | 27 | 54  | 50  | 41   | 35   | 40   | 40 | 7    | M6             | 5.2            | 12             | LM 20UU    | 882               | 1370           | 255             |
| SCS 25UU  | 12                | 26 | 38 | 76  | 67  | 51.5 | 42   | 54   | 50 | 11   | M8             | 7              | 18             | LM 25UU    | 980               | 1570           | 600             |
| SCS 30UU  | 15                | 30 | 39 | 78  | 72  | 59.5 | 49   | 58   | 58 | 10   | M8             | 7              | 18             | LM 30UU    | 1570              | 2740           | 735             |
| SCS 35UU  | 18                | 34 | 45 | 90  | 80  | 68   | 54   | 70   | 60 | 10   | M8             | 7              | 18             | LM 35UU    | 1670              | 3140           | 1100            |
| SCS 40UU  | 20                | 40 | 51 | 102 | 90  | 78   | 62   | 80   | 60 | 11   | M10            | 8.7            | 25             | LM 40UU    | 2160              | 4020           | 1590            |
| SCS 50UU  | 25                | 52 | 61 | 122 | 110 | 102  | 80   | 100  | 80 | 11   | M10            | 8.7            | 25             | LM 50UU    | 3820              | 7940           | 3340            |
| SCS 60UU  | 30                | 58 | 66 | 132 | 122 | 114  | 94   | 108  | 90 | 12   | M10            | 10.7           | 25             | LM 60UU    | 4700              | 10000          | 4270            |