

10/100 BASE FILTER WITH CONNECTOR

MODEL NO. : RJLD-043TC1

FEATURE :

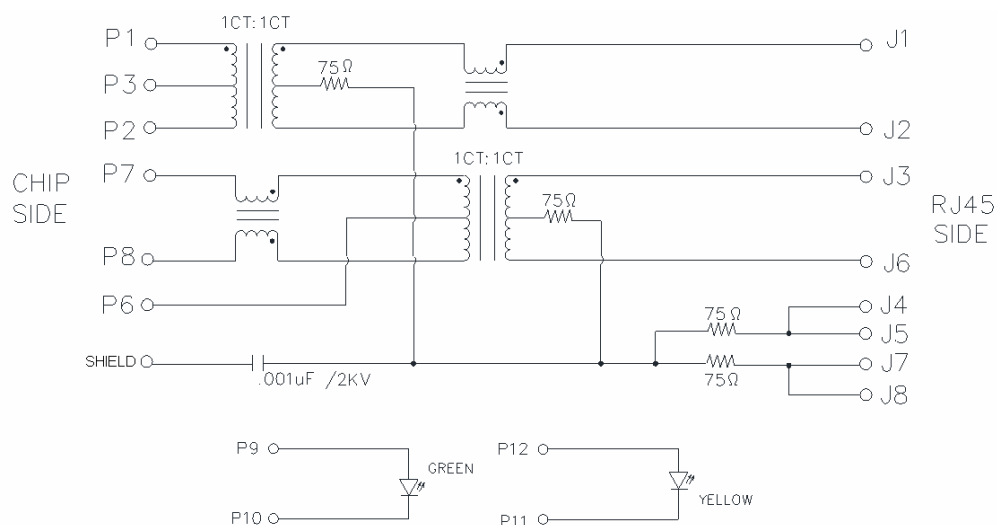
- ⊙ RoHS Compliant
- ⊙ Fully shielded magnetics protect data from internally generated digital noise
- ⊙ Reduces the overall length of the signal path for improved common mode performance
- ⊙ Implements full common mode termination scheme with used and unused twisted pairs
- ⊙ Meets IEEE802.3 Baseline Wander Compensation specification
- ⊙ Integrates high voltage capacitor to chassis ground
- ⊙ Supports all major transceivers with matched turns ration and complete integration of specified termination
- ⊙ Design for 100base-tx transmission over UTP-5 cable
- ⊙ Operating TEMP. range : -40°C to +85°C
- ⊙ Storage TEMP. range : -55°C to +125°C
- ⊙ Primary OCL inductance : 350μH MIN. at 100KHz/100mV with 8mA DC bias
- ⊙ With the LED lamp

SPECIFICATIONS:

Typical Performance Characteristics@ 25°C

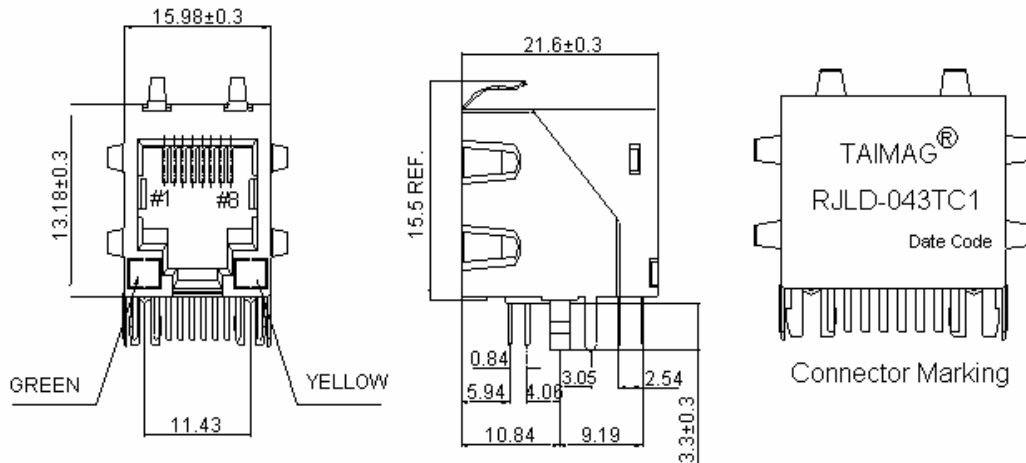
Insertion Loss MHz (dB MAX)	Return Loss MHz (dB Min)					Differential to Common Mode Rejection MHz (dB MIN)	Cross talk MHz (dB MIN)	CMRR MHz (dB MIN)	Isolation Voltage (Vrms min)
	1~30	40	50	60~80	1~100				
1~100	1~30	40	50	60~80	1~100	1~100	1~100	1~100	1500
-1.0	-16	-14	-12	-10	-33	-33	-33	-30	

SCHEMATIC:

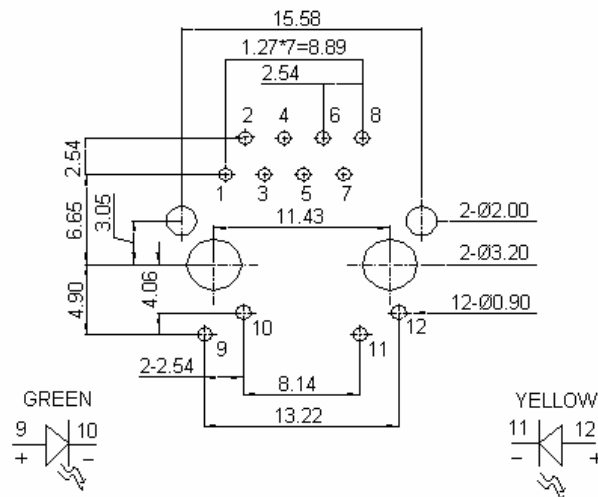


MODEL NO. : RJLD-043TC1

DIMENSION & MARKING: mm;TOLERANCE:±0.15 (Unless otherwise specified)



PCB LAYOUT:



MODEL NO. : RJLD-043TC1

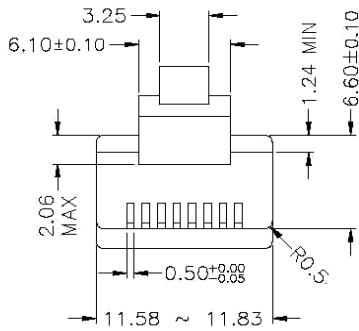
MATERIAL REQUIREMENTS:

1. Design and Construction
Product shall be of design, construction and physical dimensions specified on applicable product drawing.
2. Materials and Finish
 - A. Contact:
 - RJ Contact : Phosphor Bronze, Thickness=0.30mm
 - Finish : Contact Area : 6 μ "min. Gold over 50 μ "min. Nickel
 - RJ Joint Contact : SPCC, Thickness=0.30mm
 - Finish : 80 μ "min. Sn over 50 μ "min. Nickel
 - LED Joint Contact : SPCC, Thickness=0.50mm
 - Finish : 80 μ "min. Sn over 50 μ "min. Nickel
 - B. Plastic Part :
 - (1) Set Housing : Thermoplastic, LCP, Black
UL FILE NO. : E106764
Manufacturer : POLYPLASTICS CO LTD.
Grade : E130i(d)(e)
Flame Class : UL 94V-0
 - (2) Insert : Thermoplastic, LCP, Black
UL FILE NO. : E106764
Manufacturer : POLYPLASTICS CO LTD.
Grade : E130i(d)(e)
Flame Class : UL 94V-0
 - (3) Spacer : Thermoplastic, LCP, Black
UL FILE NO. : E106764
Manufacturer : POLYPLASTICS CO LTD.
Grade : E130i(d)(e)
Flame Class : UL 94V-0
 - C. Shield Material :
 - Cartridge t=0.25 \pm 0.05mm
 - 10 μ "-20 μ " Thick Nickel over Brass
 - D. LED Lamp
 - (a) Lens Color : Transparent with color
 - (b) Emitted Color : Green & Yellow
 - (c) View Angle : 60°
 - (d) Wave Length : Green 570nm ; Yellow 585nm
 - (e) Recommended operation current (IF) : 20 mA

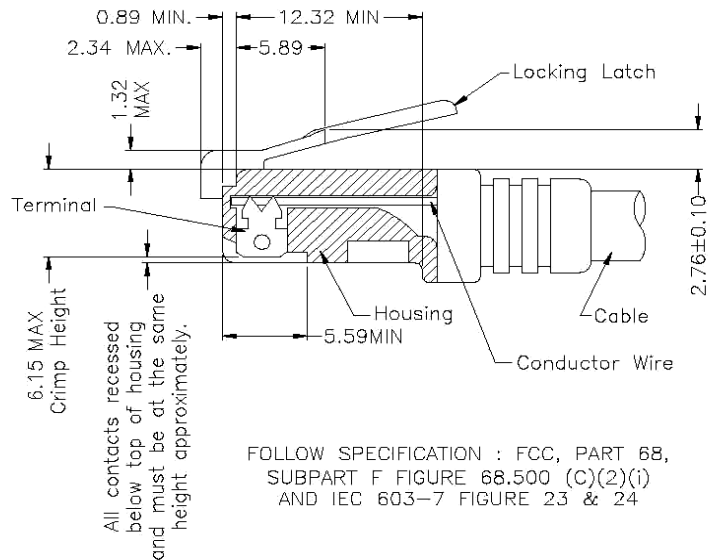
Durability :

- (1) 1000 cycles with no function damage for RJ-45 . Abnormalities shall be present after the test.
- (2) Low Level Contact Resistance : $\Delta R=30m\Omega$ maximum (final)
- (3) The sample should be mounted in the tester and fully mated and unmated 500 times per hour at the rate of 25mm/min. EIA-364-09C.

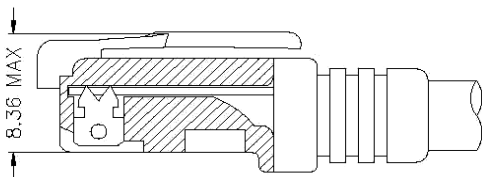
MODEL NO. : RJLD-043TC1 RJ PLUG SPECIFICATION :



- * There must be no damage to housing or locking latch. There must be no nicks or cuts in cable.
- * Durability : 750 cycles generally



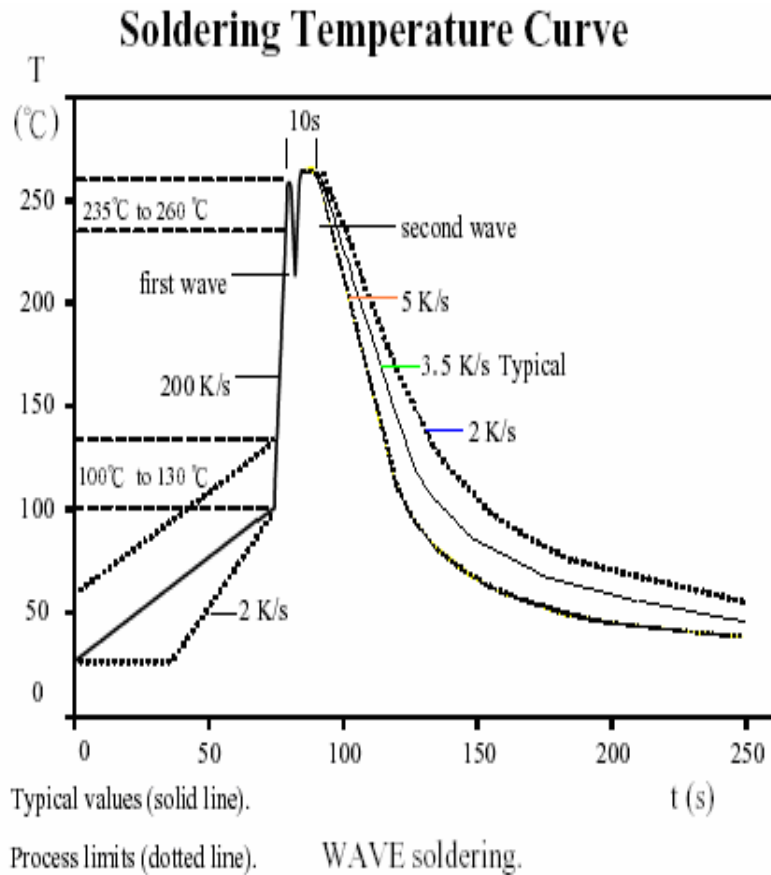
FOLLOW SPECIFICATION : FCC, PART 68,
SUBPART F FIGURE 68.500 (C)(2)(i)
AND IEC 603-7 FIGURE 23 & 24



FOLLOW SPECIFICATION : FCC, PART 68, SUBPART F
FIGURE 68.500 (C)(2)(ii)

STANDARD MODULAR PLUG ASSEMBLY

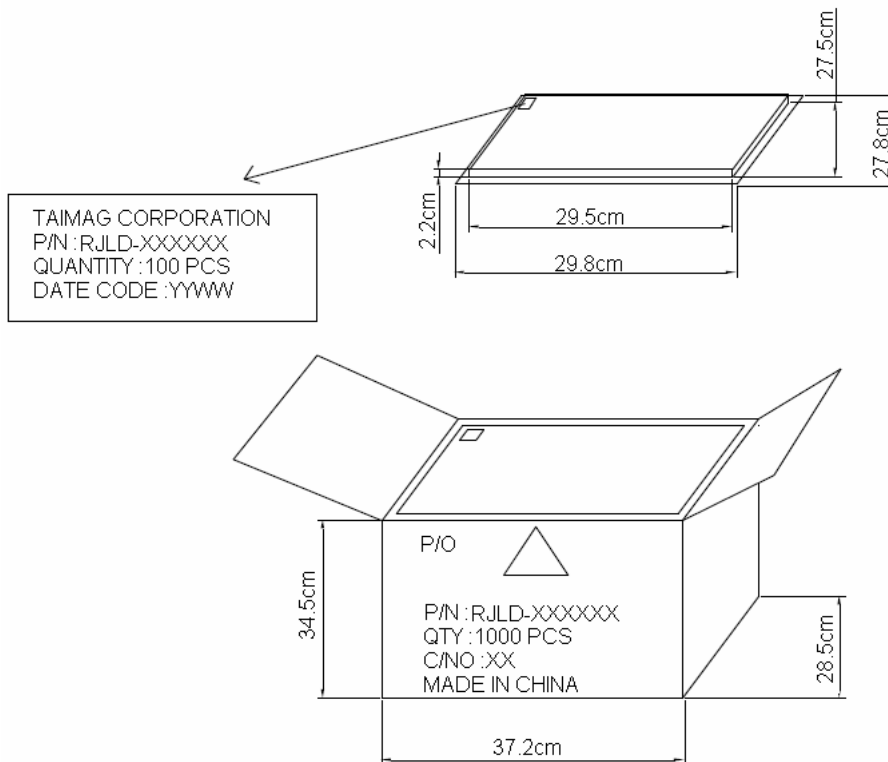
MODEL NO. : RJLD-043TC1



MODEL NO. : RJLD-043TC1

PACKING:

1. Unit weight :5.7 grams
2. package : 100 pcs / tray / 0.61 kgms
3. Carton : 1000 pcs / 10 layers of tray
4. Gross weight : 6.6455 kgms





DATE :2017/01/23 (REV:A6)

MODEL NO. : RJLD-043TC1
ORDER INFORMATION:

