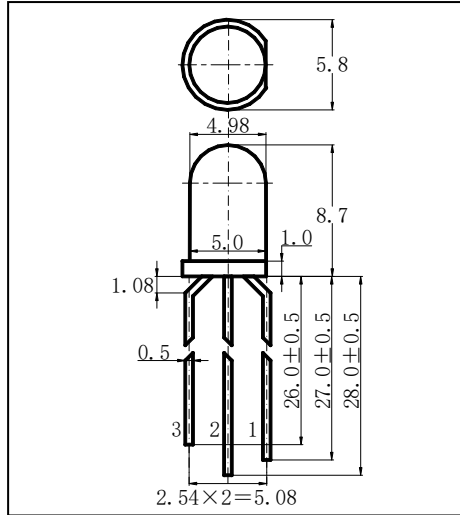


## 深圳市希进光科技有限公司

产品型号 (Part number system for led lamp) **RG509MF-A (φ 5MM 长脚红普绿双色共阳)**

外形图 (Package Dimensions) 单位: (Unit): mm Ta=25℃时最大绝对值:



Item	Symbol	Value		Unit
		Red light	Green light	
Chip type				
Max. Operating Current	IF	20	20	mA
Backward voltage	VF	6	6	V
Operating temperature	TOP	-25~+85	-25~+85	℃
Soldering Temperature/Time	TSOL	260/≤3	260/≤3	℃/S
Power dissipation	PD	80	100	mW
Maximum forward current		40	40	mA

Chip		
Chip type	GaP	GaP
Colour	Red light	Green light

Colloid	
Material	Epoxy resin
Colour	FROSTED

光电参数 (Initial Electrical Optical Characteristics)

Chip type		Red light chip			Green light chip				
Parameter	Symbol	Min.	Normal	Max.	Min.	Normal	Max.	Unit	Test condition
Luminous Intensity	IV	500	600	700	100	150	200	mcd	I <sub>F</sub> =20mA
Beam Angle	2 $\phi$ 1/2	60	/	90	60/	/	90	deg	I <sub>F</sub> =20mA
Peak Wavelength	$\lambda_p$	/	625	/	/		/	nm	I <sub>F</sub> =20mA
Dominant wavelength	$\lambda_d$	620	625	630	570	572	573	nm	I <sub>F</sub> =20mA
Frequency bandwidth	$\Delta\lambda$	/	30	/	/	30	/	nm	I <sub>F</sub> =20mA
Forward voltage	VF	1.9	2.1	2.3	1.9	2.1	2.3	V	I <sub>F</sub> =20mA
Reverse current	IR	/	/	≤30	/	/	≤30	μA	VR=5V