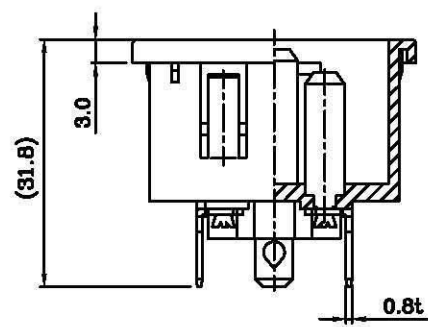


PANEL CUT-OUT

代碼	XX
B	12
	15
	17
	20
	25



A		
00	01	02

SPECIFICATION:

1. Insulation Resistance: Over 100MΩ at 500V DC.
2. Dielectric strength: 2000V AC 1 Minute.
3. Body Material: Thermoplastic 94V-2~0.

Rating:AC 16A 250V					
符號	安規	認證編號	符號	安規	認證編號
	VDE	40006952			
Rating:AC 20A 250V					
	UL	E184638		CUL	E184638

IMPORTANT THIS DRAWING FOR REFERENCE ONLY 注意：此圖只供參考用

SHALLIN ELECTRONIC CO., LTD.	 DRAWN BY <b>RD</b> 95.03.17 張育誠	UNIT	UNIT QTY	SCALE	TOLERANCE X.XX±0.1 XX.XX±0.2 XXX.XX±0.3	PRODUCT NO. <b>C20</b>	REV
		mm	1	1:1			
		APPROVED BY <b>RD</b> 95.03.30 李耀魁	ID NO	060317A12			
				DESCRIPTION		NEW NO.	<b>B</b>