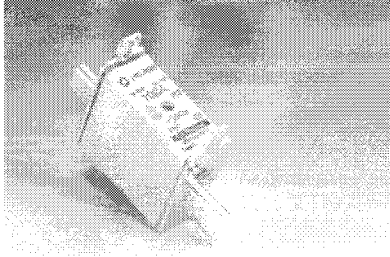




General Purpose Fuses

 NH Fuses



NH Fuse System

DIN 57 636/VDE 0636 Parts 1, 10, 21, 22, 201

IEC 60269-2

DIN 43 620 Parts 1 to 4 (Standard dimensions)

The utilization category is identified by two letters, the first indicating the **operational class** and the second the **object to be protected**. The Lindner range includes fuse-links to DIN VDE 0636 standard for the following utilization categories:

- gL: general purpose cable and line protection
- aM: backup switchgear and controlgear protection
- gTr: general purpose transformer protection
- gR: general purpose, fast acting
- aR: partial purpose, fast acting

Classification

The NH system is classed among plug-in fuse systems and is comprised of:

- fuse-base, (possibly including terminal covers and phase barriers)
- fuse-link with blade contact
- fuse-link replacement device (LV HRC fuse puller)

Since the design of this system cannot guarantee non-interchangeability of rated current, it must be handled by a qualified professional.

Approval symbols



Germany



Austria



Switzerland



Netherlands

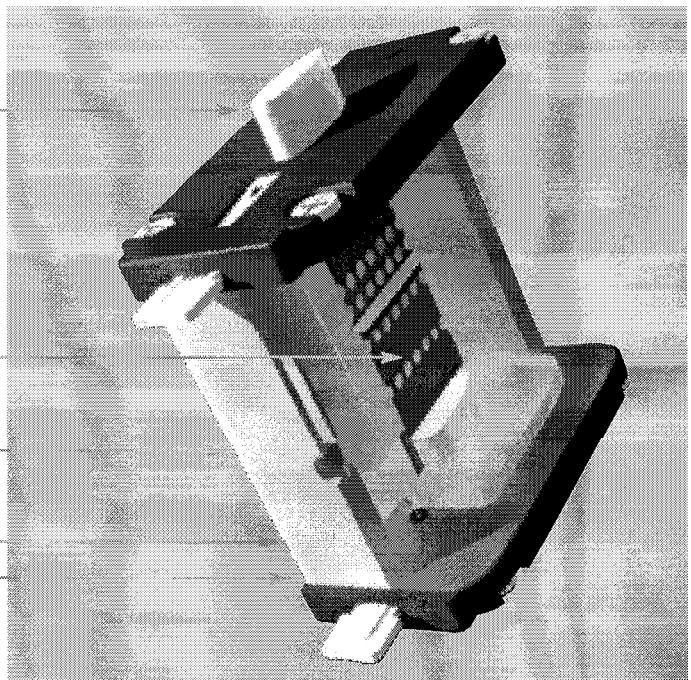
~ 0% lead

~ 0% cadmium

~ it costs you not a penny more !

~ it corresponds with the 2nd design of European electrical scraps guideline

~ 100% for a sure future



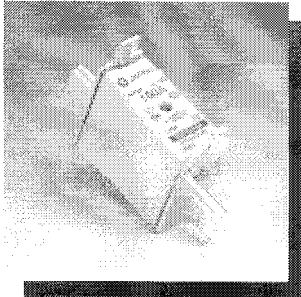


General Purpose Fuses



NH Fuses

500V gL-gG



NH-ZERO
Fuse-links
~500 V gL-gG
with voltage-conducting grip
lug, combination recognition
signal, contact blades,
complying with DIN VDE 0636 part
201

Cd/Pb-free

| SIZE | RATED In CURRENT (A) | POWER LOSSES in (W) | CATALOG NUMBER | REFERENCE NUMBER | PACK. |
|---------|-------------------------------|---------------------------|-------------------|---------------------|-------|
| 000/C00 | 2 | 3,9 | 1B613.000000 | B211946 | 9 |
| | 4 | 1,5 | 1B619.000000 | M212462 | 9 |
| | 6 | 1,6 | 1B623.000000 | D213995 | 9 |
| | 10 | 1,1 | 1B631.000000 | B219651 | 9 |
| | 16 | 1,8 | 1B635.000000 | K222097 | 9 |
| | 20 | 2,4 | 1B637.000000 | A222847 | 9 |
| | 25 | 2,4 | 1B639.000000 | E201185 | 9 |
| | 32 | 2,7 | 1B643.000000 | Z211438 | 9 |
| | 35 | 3,0 | 1B645.000000 | C211947 | 9 |
| | 40 | 3,4 | 1B647.000000 | N212463 | 9 |
| | 50 | 3,9 | 1B651.000000 | T212974 | 9 |
| | 63 | 4,7 | 1B655.000000 | E213996 | 9 |
| | 80 | 5,7 | 1B659.000000 | Y216543 | 9 |
| | 100 | 6,7 | 1B663.000000 | B219122 | 9 |
| 00 | 125 | 8,4 | 1B765.000000 | R201863 | 3 |
| | 160 | 10,6 | 1B769.000000 | P211084 | 3 |
| 0 | 6 | 1,8 | 1B023.000000 | H213148 | 3 |
| | 10 | 1,5 | 1B031.000000 | G214159 | 3 |
| | 16 | 2,5 | 1B035.000000 | Q215179 | 3 |
| | 20 | 3,5 | 1B037.000000 | R215686 | 3 |
| | 25 | 3,5 | 1B039.000000 | Y216198 | 3 |
| | 32 | 3,2 | 1B043.000000 | W216702 | 3 |
| | 35 | 3,5 | 1B045.000000 | J217220 | 3 |
| | 40 | 4,2 | 1B047.000000 | P217731 | 3 |
| | 50 | 5,1 | 1B051.000000 | Z218246 | 3 |
| | 63 | 6,2 | 1B055.000000 | N218765 | 3 |
| | 80 | 7,1 | 1B059.000000 | C219284 | 3 |
| | 100 | 8,7 | 1B063.000000 | D219814 | 3 |
| | 125 | 11,0 | 1B065.000000 | P222492 | 3 |
| | 160 | 11,7 | 1B069.000000 | F223013 | 3 |
| | 200 | | 08000.200700* | Q215524* | 1 |
| | 224 | | 08000.224700* | V219645* | 1 |
| 250 | | 08000.250700* | F222093* | 1 | |
| 1 | 16 | 2,5 | 1B135.000000 | M200801 | 3 |
| | 20 | 3,5 | 1B137.000000 | C201344 | 3 |
| | 25 | 3,3 | 1B139.000000 | N201860 | 3 |
| | 32 | 3,2 | 1B143.000000 | L211081 | 3 |
| | 35 | 3,5 | 1B145.000000 | A211600 | 3 |
| | 40 | 4,2 | 1B147.000000 | Y212633 | 3 |
| | 50 | 5,1 | 1B151.000000 | B213648 | 3 |
| | 63 | 6,2 | 1B155.000000 | L214669 | 3 |
| | 80 | 7,1 | 1B159.000000 | S215687 | 3 |
| | 100 | 8,7 | 1B163.000000 | X216703 | 3 |
| | 125 | 11,0 | 1B165.000000 | Q217732 | 3 |
| | 160 | 11,7 | 1B169.000000 | A218247 | 3 |
| | 200 | 14,5 | 1B171.000000 | P218766 | 3 |
| | 224 | 15,9 | 1B173.000000 | U219285 | 3 |
| 250 | 19,7 | 1B175.000000 | E219815 | 3 | |
| 2 | 35 | 3,5 | 1B245.000000 | P201861 | 3 |
| | 50 | 5,1 | 1B251.000000 | B211601 | 3 |
| | 63 | 6,0 | 1B255.000000 | Z212634 | 3 |
| | 80 | 7,1 | 1B259.000000 | C213649 | 3 |
| | 100 | 8,6 | 1B263.000000 | M214670 | 3 |
| | 125 | 10,6 | 1B265.000000 | T215688 | 3 |
| | 160 | 11,9 | 1B269.000000 | Y216704 | 3 |
| | 200 | 14,0 | 1B271.000000 | R217733 | 3 |
| | 224 | 15,4 | 1B273.000000 | Q218767 | 3 |
| | 250 | 19,1 | 1B275.000000 | R222494 | 3 |
| | 300 | 22,5 | 1B277.000000 | P200803 | 3 |
| | 315 | 24,0 | 1B279.000000 | E201346 | 3 |
| | 350 | 26,2 | 1B281.000000 | Q201862 | 3 |
| | 400 | 30,2 | 1B283.000000 | N211083 | 3 |

* Previous design with frontal indicator
Characteristic curves, see page 97
Dimensions, see page 101

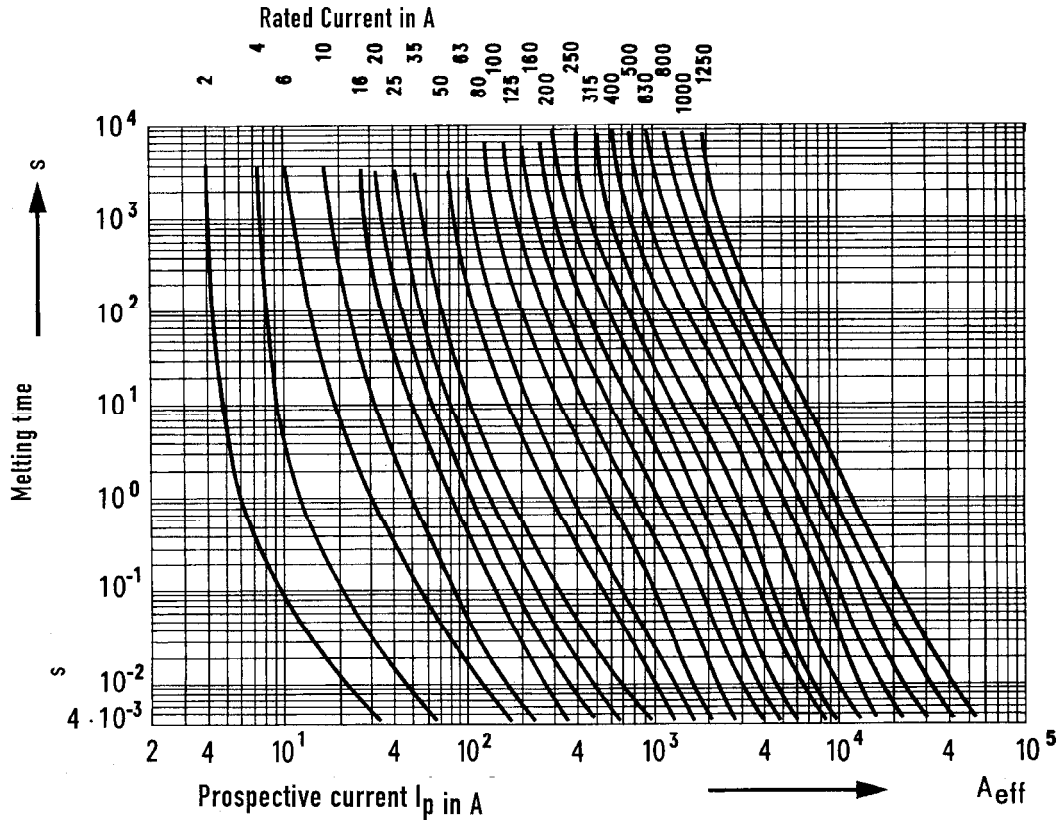


General Purpose Fuses



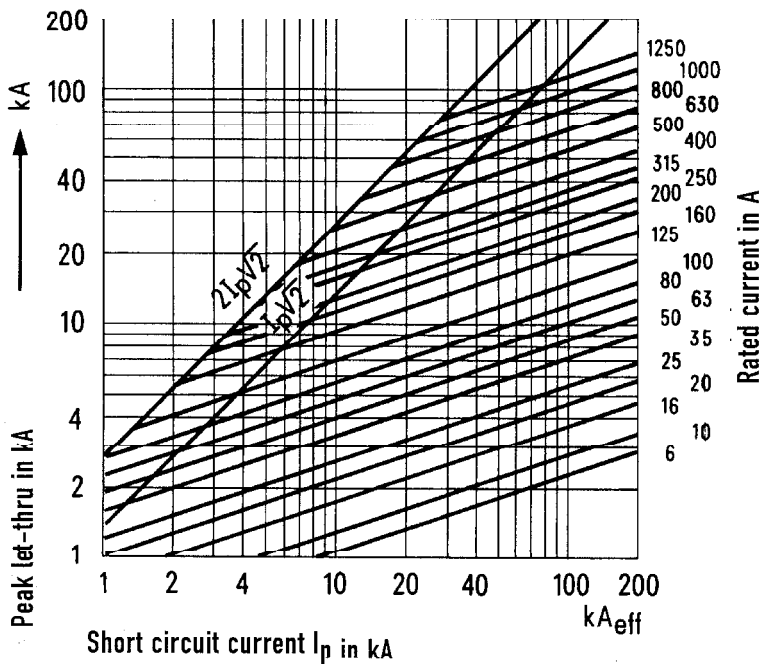
Melting time - current data

Size 000 with 4/4a, qI-qG, ~ 400 V, ~ 500 V, ~ 690 V



Peak let-thru current data

Size 000 with 4/4a, gL-gG, ~ 400 V, ~ 500 V, ~ 690 V



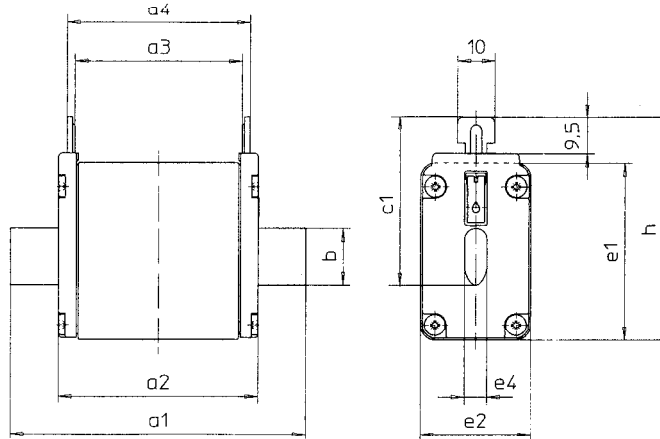


General Purpose Fuses



500-690V gL-gG

NH Fuse-links



| | RATED In CURRENT (A) | a1 | a2 | a3 | a4 | b | c1 | e1 | e2 | e4 | h |
|--|-------------------------------|-----|------|------|------|----|----|------|------|----|------|
| Standard 500 V and 400 V gL-gG with voltage-conducting grid lug (page 86/87, 89) | | | | | | | | | | | |
| SIZE 000 | 2-100A | 79 | 52 | 45,5 | 49,5 | 15 | 35 | 40,5 | 20,8 | 6 | 52,5 |
| SIZE 00 | 125/160A | 79 | 52,8 | 45 | 50 | 15 | 35 | 47,5 | 29,5 | 6 | 59,5 |
| SIZE 0 | 6-160A | 125 | 66,8 | 61 | 66 | 15 | 35 | 47,5 | 29,5 | 6 | 59,5 |
| SIZE 1 | 16-100A | 135 | 70,8 | 63 | 68 | 15 | 40 | 47,5 | 29,5 | 6 | 64,5 |
| SIZE 1 | 125-250A | 135 | 70,8 | 63 | 68 | 20 | 40 | 52,5 | 39,5 | 6 | 64,5 |
| SIZE 2 | 35-250A | 150 | 72,3 | 63 | 68 | 20 | 48 | 52,5 | 39,5 | 6 | 72,5 |
| SIZE 2 | 300-400A | 150 | 72,3 | 63 | 68 | 26 | 48 | 60 | 51 | 6 | 72 |
| SIZE 3 | 250-400A | 150 | 72,3 | 63 | 68 | 26 | 60 | 60 | 51 | 6 | 83,5 |
| SIZE 3 | 425-630A | 150 | 72,3 | 63 | 68 | 33 | 60 | 74 | 70 | 6 | 86 |
| SIZE 4 | 400-1250A | 200 | 85 | 64 | 68 | 33 | 85 | 104 | 89 | 8 | 97 |
| SIZE 4a | 500-1250A | 200 | 86 | 90 | 68 | 33 | 85 | 104 | 89 | 8 | 97 |
| Standard 500 V and 400 V gL-gG (SGL version) with voltage-free grid lug (page 88, 90) | | | | | | | | | | | |
| SIZE 000 | 2-100A | 78 | 53,4 | 45,7 | 49,7 | 15 | 35 | 40,5 | 20,8 | 6 | 52,5 |
| SIZE 00 | 125/160A | 79 | 53,5 | 44,8 | 49 | 15 | 35 | 47,5 | 29,5 | 6 | 59,5 |
| SIZE 0 | 6-160A | 125 | 67,5 | 62,5 | 66,7 | 15 | 35 | 47,5 | 29,5 | 6 | 59,5 |
| SIZE 1 | 16-100A | 135 | 71,5 | 62,8 | 67 | 15 | 40 | 47,5 | 29,5 | 6 | 64,5 |
| SIZE 1 | 125-250A | 135 | 73,4 | 63 | 67,2 | 20 | 40 | 52,5 | 39,5 | 6 | 64,5 |
| SIZE 2 | 35-250A | 150 | 73,4 | 63 | 67,2 | 20 | 48 | 52,5 | 39,5 | 6 | 72,5 |
| SIZE 2 | 300-400A | 150 | 73,4 | 63 | 67,2 | 26 | 48 | 60 | 51 | 6 | 72 |
| SIZE 3 | 250-400A | 150 | 73,4 | 63 | 68 | 26 | 60 | 60 | 51 | 6 | 83,5 |
| SIZE 3 | 425-630A | 150 | 73,4 | 63 | 68 | 33 | 60 | 74 | 70 | 6 | 86 |



General Purpose Fuses



NH Fuses

500-690V gL-gG

| Size | Rated current in A | a ₁ | a ₂ | a ₃ | a ₄ | b | c ₁ | e ₁ | e ₂ | e ₄ | h |
|------|--------------------|----------------|----------------|----------------|----------------|---|----------------|----------------|----------------|----------------|---|
|------|--------------------|----------------|----------------|----------------|----------------|---|----------------|----------------|----------------|----------------|---|

NH 690 V gL-gG with voltage-conducting grip lug (page 91)

| | | | | | | | | | | | |
|----------|----------|-----|------|----|----|----|------|-----|----|---|------|
| SIZE 000 | 2-35A | 79 | 53,8 | 45 | 49 | 15 | 35,8 | 40 | 20 | 6 | 47,8 |
| SIZE 00 | 40-100A | 79 | 53,8 | 45 | 49 | 15 | 35,8 | 48 | 30 | 6 | 47,8 |
| SIZE 1 | 16-160A | 135 | 75 | 64 | 68 | 20 | 40 | 44 | 30 | 6 | 52 |
| SIZE 1 | 200A | 135 | 75 | 64 | 68 | 20 | 40 | 47 | 39 | 6 | 52 |
| SIZE 2 | 35-100A | 150 | 75 | 64 | 68 | 26 | 48 | 44 | 30 | 6 | 60 |
| SIZE 2 | 125-315A | 150 | 75 | 64 | 68 | 26 | 60 | 47 | 39 | 6 | 72 |
| SIZE 3 | 250/300A | 150 | 75 | 64 | 68 | 26 | 60 | 47 | 39 | 6 | 72 |
| SIZE 3 | 315-425A | 150 | 75 | 64 | 68 | 33 | 60 | 58 | 51 | 6 | 72 |
| SIZE 3 | 500A | 150 | 75 | 64 | 68 | 33 | 60 | 70 | 64 | 6 | 72 |
| SIZE 4 | 400-800A | 200 | 85 | 64 | 68 | 33 | 85 | 104 | 89 | 8 | 97 |
| SIZE 4a | 400-800A | 200 | 85 | 86 | 90 | 33 | 85 | 104 | 89 | 6 | 97 |

NH 690 V gL-gG with voltage-free grip lug (page 92)

| | | | | | | | | | | | |
|----------|----------|-----|------|----|----|----|------|------|----|---|------|
| SIZE 000 | 2-35A | 79 | 53,8 | 45 | 49 | 15 | 35,8 | 40,5 | 21 | 6 | 47,8 |
| SIZE 00 | 40-125A | 79 | 53,8 | 45 | 49 | 15 | 35,8 | 40,5 | 30 | 6 | 47,8 |
| SIZE 1 | 35-200A | 135 | 75 | 64 | 68 | 20 | 40 | 51 | 39 | 6 | 52 |
| SIZE 2 | 32-250A | 150 | 75 | 64 | 68 | 26 | 48 | 51 | 39 | 6 | 60 |
| SIZE 2 | 300/315A | 150 | 75 | 64 | 68 | 26 | 48 | 60 | 46 | 6 | 60 |

NH 500 V aM with voltage-conducting grip lug (page 94)

| | | | | | | | | | | | |
|----------|-----------|-----|------|----|----|----|------|------|----|---|------|
| SIZE 000 | 2-80A | 79 | 53,8 | 45 | 49 | 15 | 35,8 | 40,5 | 21 | 6 | 47,8 |
| SIZE 00 | 100-160A | 79 | 53,8 | 45 | 49 | 15 | 35,8 | 40,5 | 30 | 6 | 47,8 |
| SIZE 0 | 6-160A | 125 | 68 | 64 | 68 | 15 | 35,8 | 44 | 30 | 6 | 47,8 |
| SIZE 1 | 16-125A | 135 | 75 | 64 | 68 | 20 | 40 | 44,5 | 30 | 6 | 52 |
| SIZE 1 | 160-250A | 135 | 75 | 64 | 68 | 20 | 40 | 47 | 39 | 6 | 52 |
| SIZE 2 | 32-100A | 150 | 75 | 64 | 68 | 26 | 48 | 44 | 30 | 6 | 60 |
| SIZE 2 | 160/200A | 150 | 75 | 64 | 68 | 26 | 48 | 47 | 39 | 6 | 60 |
| SIZE 2 | 224/250A | 150 | 75 | 64 | 68 | 26 | 60 | 56 | 44 | 6 | 72 |
| SIZE 2 | 315-400A | 150 | 75 | 64 | 68 | 26 | 48 | 47 | 39 | 6 | 60 |
| SIZE 3 | 315-630A | 150 | 75 | 64 | 68 | 33 | 60 | 58 | 51 | 6 | 72 |
| SIZE 4 | 315-1250A | 200 | 85 | 64 | 68 | 33 | 85 | 104 | 89 | 8 | 97 |

NH 690 V aM with voltage-conducting grip lug (page 95)

| | | | | | | | | | | | |
|---------|----------|-----|----|----|----|----|----|------|----|---|------|
| SIZE 00 | 6-160A | 78 | 50 | 44 | 50 | 15 | 35 | 44 | 28 | 6 | 54 |
| SIZE 1 | 50-315A | 135 | 67 | 61 | 67 | 20 | 40 | 55 | 40 | 6 | 65 |
| SIZE 2 | 63-500A | 150 | 67 | 61 | 67 | 26 | 40 | 62,5 | 56 | 6 | 72,5 |
| SIZE 3 | 315-630A | 150 | 67 | 61 | 67 | 32 | 60 | 76 | 69 | 6 | 86 |

NH 400 V gTr with voltage-conducting grip lug (page 96)

| | | | | | | | | | | | |
|---------|------------|-----|----|----|----|----|----|-----|----|---|----|
| SIZE 2 | 100-250kVA | 150 | 75 | 64 | 68 | 26 | 48 | 47 | 39 | 6 | 60 |
| SIZE 3 | 100-630kVA | 150 | 75 | 64 | 68 | 33 | 60 | 58 | 51 | 6 | 72 |
| SIZE 4a | 100-800kVA | 200 | 85 | 86 | 90 | 33 | 85 | 104 | 89 | 6 | 97 |

Dimensions in mm