



APPROVAL SHEET

NO : 20200922

CUSTOMER : GANGDA Products Co., Ltd

PRODUCT NAME : Rotary potentiometer

CUSTOMER'S MODEL NO: _____

CUSTOMER'S REF NO : _____

ECC MODEL NO : R1611S-2A1-B220K-GP

DATE : 2020-9-22

APPROVED

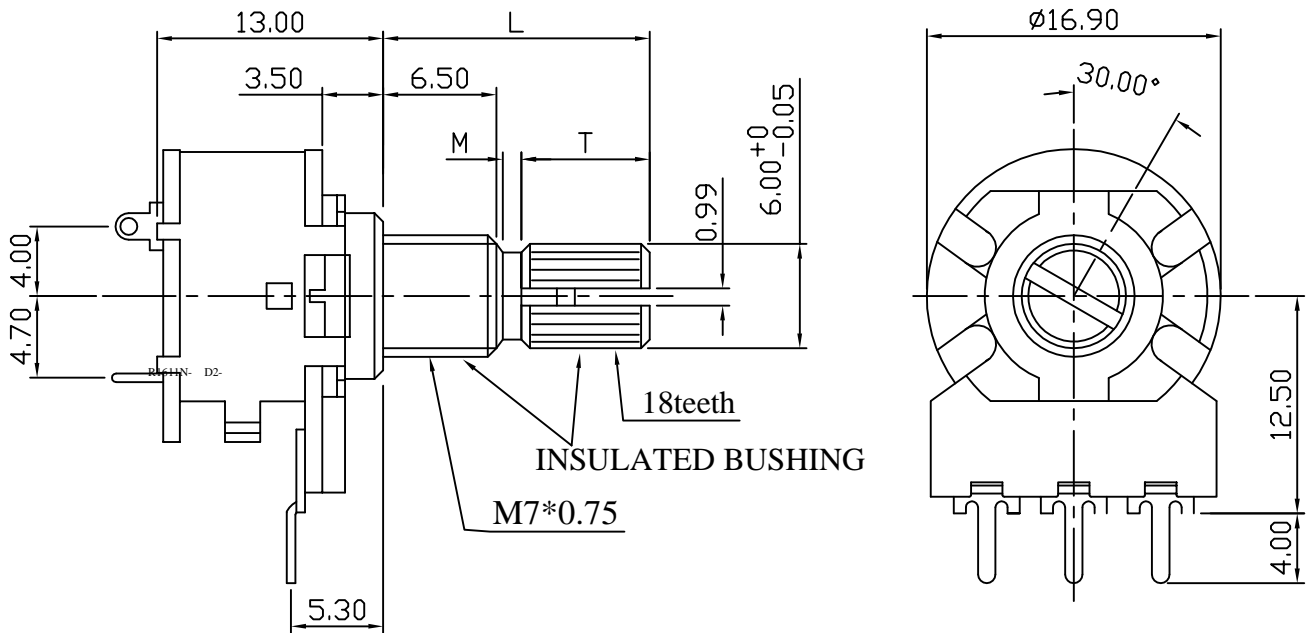
Thank you very much for the interest in our products.with the samples
Please find two copies of approval sheet. Please send back one signed
Copy to us by express to the following address after having approved.



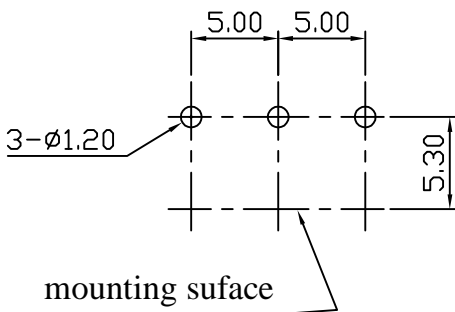
ELECTRONICS CHINA

ADD:#1701,17/F,BlockA,Jiahe huaqiang Building,Shennan
Middle Road,Shenzhen,Guangdong China P.C.:518031
Tel:86-755-2607122 Fax : 86-755-2181863
[Http://www.electronicchina.com](http://www.electronicchina.com)
[E-mail:sales@ electronicchina.com](mailto:sales@electronicchina.com)

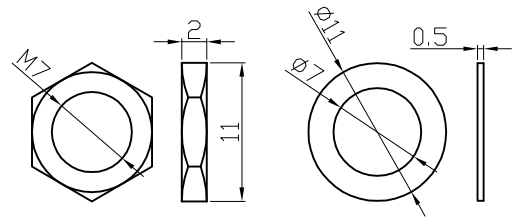
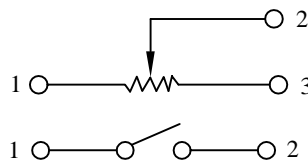
外形图 Mechanical Dimensions



安装孔位置图
Mounting Hole



接线图
Circuit Explanation



TOLERANCES UNLESS OTHERWISE SPEC
未注公差允许范围

BASIC DIMENSIONS 适用尺寸范围	TOLERANCES
UP TO 10	0.3
ABOVE 10 TO 30	0.5
ABOVE 30 TO 100	1.0
ANGULAR DIMENSION	5°

KQ TYPE:

Ω	<input type="checkbox"/>	<input type="checkbox"/>	<input type="checkbox"/>	<input type="checkbox"/>	<input type="checkbox"/>	<input type="checkbox"/>
x	9	2	3	4		
L	13	15	20	25		
T	5.8	6	9.9	12.1		
M	0	1	1.5	2		

惠州大唐电子工业有限公司

批准

审核

设计

制品型号 R1611S-A1-B220K-GP

制品名称 旋转电位器

馮濤
2020.9.23