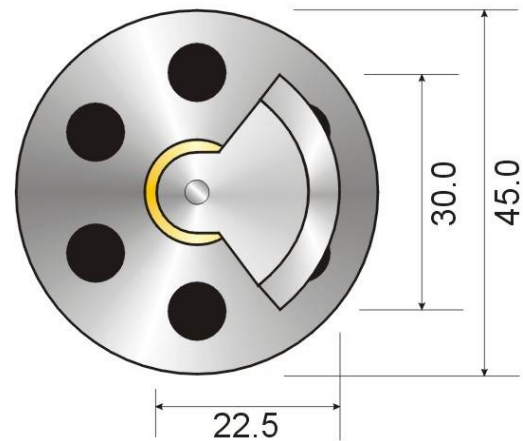
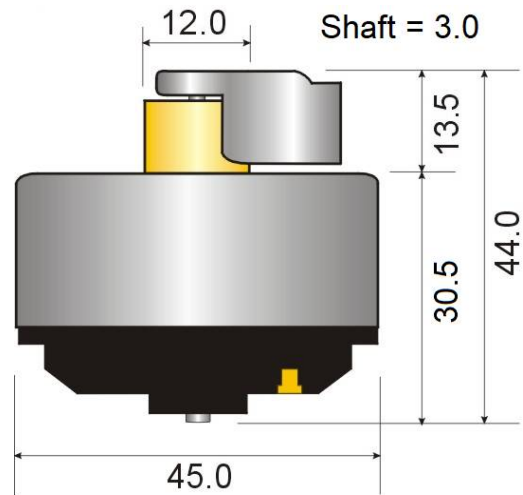




QJT – 450BV

CHARACTERISTICS		
Voltage	2.5 ~ 3V DC	
No load	Current	80 mA
	Speed	7,550 rpm
At Maximum Efficiency	Current	3.3 A
	Torque	87.0 g.cm
	Speed	6,090 rpm
Output Power	5.46 Watt	
Stall	Current	14.1 A
	Torque	454 g.cm
Shaft diameter	3.0mm	



APPLICATIONS
<ul style="list-style-type: none">• Sampling equipment• Vibrating feeders• Vibrating alarms• Single part sorters

NOTES
1. These specifications are subject to change without notice.
2. Positive & Negative leads marked on motor