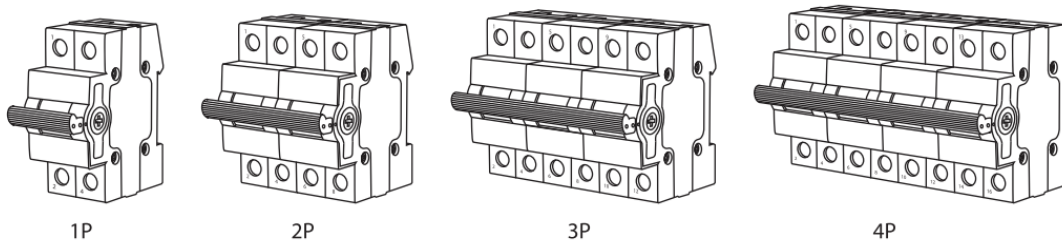


PTD1 series installation and operation manual



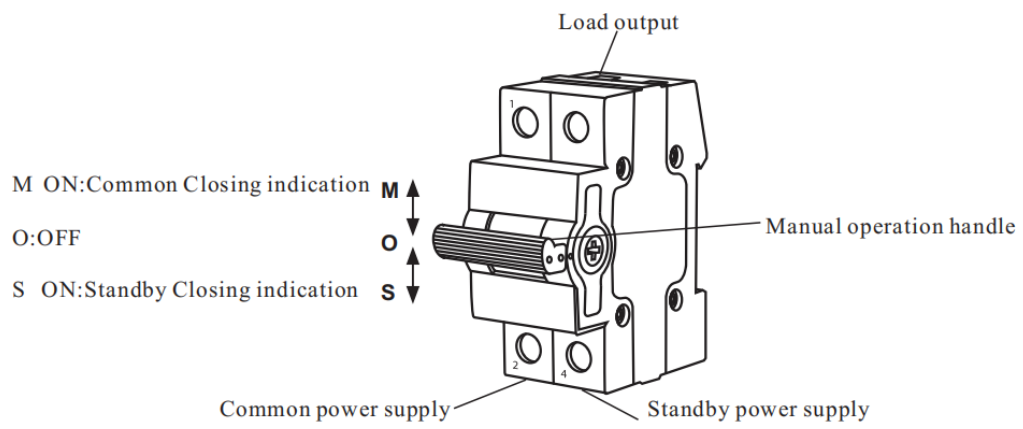
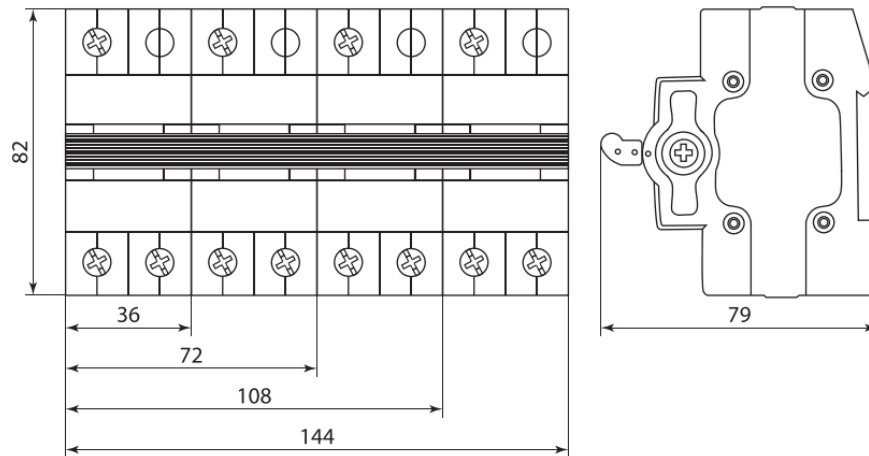
Normal working conditions

- 1.The air temperature is $-5^{\circ}\text{C} \sim +40^{\circ}\text{C}$, the average value within 24 hours should not be over 35°C .
- 2.The relative humidity should not exceed 50% at max temperature $+40^{\circ}\text{C}$, the higher relative humidity is permissible at lower temperature, for instance, 90% at $+20^{\circ}\text{C}$, but the condensation will be produced due to temperature change, which should be considered.
- 3.The altitude of mounting place should not exceed 2000m. Classification: IV.
- 4.Inclination is not more than $\pm 23^{\circ}$.
- 5.Pollution grade: 3.

Technical parameters

Model Number		PTD1 Series
Number of poles:		1P. 2P. 3P. 4P
Rated working voltage U_e		230V/400V
Frequency		50Hz/60Hz
Rated current A		63A. 100A. 125A
Standard		IEC60947-3
Service life (times)	Mechanical	30000
	Electrical	10000
Use category		AC-22A
Protection level		IP20

External structure and installation dimension



Switch wiring diagram

