

開關規格說明書 (SPECIFICATION)

本公司使用機種:
OUR PART NAME PS12A1B1(G)
貴公司使用名稱:
CUSTOMER'S PART NAME _____
客戶名稱:
CUSTOMER'S NAME 贊順企業有限公司

編號:
NO: C10A023
日期:
DATE: 2010.11.10

額定值 (RATING)	AC 125V 6A	AC 250V 3A	DC 30V 4A
接觸型式 (FUNCTION)	<input checked="" type="checkbox"/> 2P2T	<input type="checkbox"/> 3P2T	<input type="checkbox"/> 1P2T
開關行程 (TRAVEL)	<input checked="" type="checkbox"/> 2.7±0.3 MM	<input type="checkbox"/> 5.0±0.3 MM	
時間特性 (TIMING)	NON-SHORTING		



電氣特性(ELECTRICAL SPECIFICATION)

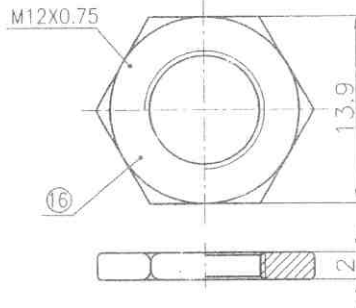
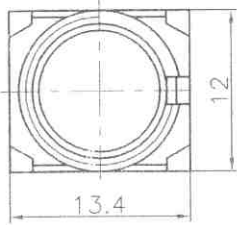
項目 (ITEM)	測試條件 (TEST CONDITIONS)	規格 (PERFORMANCE)
接觸電阻 (CONTACT RESISTANCE)	在微小流電流(100mA)以下測試 MEASURED AT SMALL CURRENT(100 mA OR LESS)	50毫歐以下. 50mΩ MAX
絕緣電阻 INSULATION RESISTANCE	輸入DC500V 電壓1分鐘. APPLY A VOLTAGE OF 500V DC SHALL BE APPLIED FOR 1 MIN.	100兆歐以上 100MΩ MIN.
耐電壓 DIELECTRIC STRENGTH	輸入AC 1000V(50-60Hz)電壓,1分鐘強度電流為0.5mA, AC 500V rms(50-60Hz) FOR 1 MIN TRIP CURRENT: 0.5mA	沒有絕緣破壞等異常. WITHOUT DAMAGE TO PARTS ARCING OR BREAKDOWN,ETC.

機械性能(MECHANICAL CHARACTERISTICS)

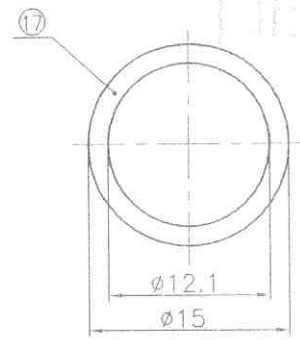
作用力 OPEARTING FORCE		1.8±0.8Kgf
端子強度 TERMINAL STRENGTH	在任意一個方向的先端加300gf力度測試,時間為10秒 A STATIC LOAD OF 300gf SHALL BE APPLIED TO THE TIP OF THE TERMINAL FOR 10 SEC.IN ANY DIRECTION.	在端子中沒有鬆動等異常, 滿足于機械,電器性能. ELECTRICAL CHARACTERISTICS SHALL BE SATISFIED WITHOUT DAMAGE OF ACTUATOR.
壽命試驗 LIFE TEST	無負荷;在無負荷的條件下以每分鐘30回的速度進行10,000次的測試 ENDURANCE WITHOUT LOADING: A SWITCH SHALL BE SUBJECTED TO 10,000 CYCLES AT A SPEED OF 30 CYCLES PER MINUTE WITHOUT LOADING	1.接觸電阻:50毫歐以下 CONTACT RESISTANCE: 50mΩ MAX. 2.絕緣電阻:100兆歐以上. INSULATION RESISTANCE:100MΩ MIN 3.耐電壓 AC 1000V 1分鐘 WITHSTAND VOLTAGE: AC 1000V ,1 MINUTE. 4.作用力:變化範圍初始值±30% OPERATING FORCE: ±30% INITIAL VALUE. 5.測試後外表無損傷,並且滿足機械性能 WITHOUT DAMAGE TO PARTS ARCING OR BREAKDOWN ETC.

OTHER:(Correspond to JIS C-6443)

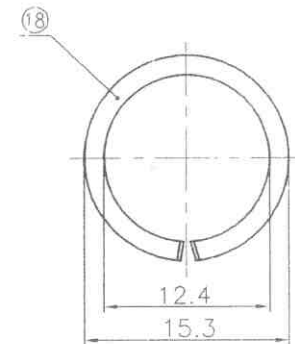
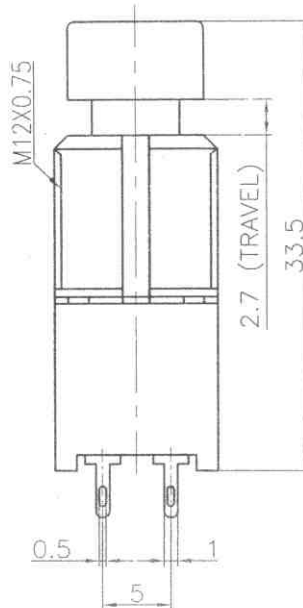
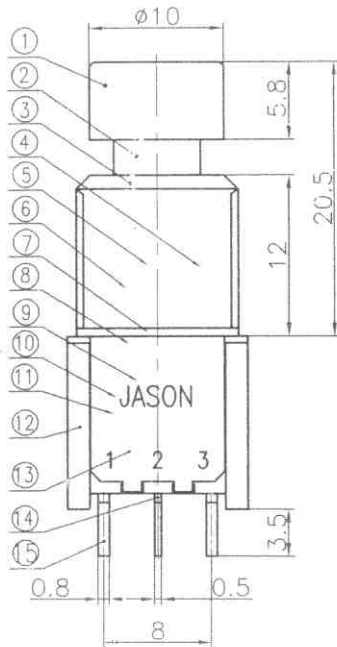
備注: (REMARK)	核 准 APPROVED	審 核 REVIEWED	經 辦 者 PREPARED
			吳從榮



NUT 2PCS

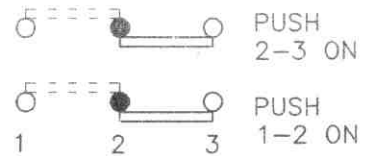


t=0.4
WASHER 1PCS



t=1.0
SPRINGWASHER 1 PCS

SCHEMATIC



STATUS	FREE	PULL
ON	2-3	2-1
OFF	2-1	2-3

19	WBX-450/A	Grease	A/R	
18	W-12	Spring Washer	1 SPC t=1.0	Zinc Plating
17	W-12	Washer	1 SPC t=0.4	Zinc Plating
16	N-12	Nut	2 SPC t=2	Zinc Plating
15	PS12A105	Terminal Lug	4 Brass t=0.8	Ag Plating
14	PS12A105M	Middle Terminal	2 Brass t=0.5	Ag Plating
	PS12A09B	Case	1 Spcd t=0.5	Blue Zinc Plating
12	PS12A11	Basic	1 PBT+30%FB	NO Plating
11	PS1236	Sliver Nail	4 AgNi10	Ag Plating
10	PS12A06	Contact Plate	2 Brass	Ag Plating
9	PS12A39A	Change Stick	2 POM	NO Plating
8	PS12A08	Block	1 POM	NO Plating
7	PS12A15A	Small Spring	2 Spring	NO Plating
6	PS12A15B4	Big Spring	1 Spring	NO Plating
5	PS12A31	Change Stick	1 Brass	Ni Plating
4	PS12A31	Tubing	1 POM	No Plating
3	PS12A02D	Bushing	1 Zine	Ni Plating
2	PS12A01	Shaft	1 Brass	Ni Plating
1	PS12A24	Switch Top	1 Brass	Ni Plating

△			
△			
△	May.18'10	品名更改,圖面重繪	劉德勇
MODEL NAME	PS12A1B1(G)		B

TOLERANCES		DIMENSION	SCALE	DRAWING BY	CHECKED BY	APPROVED BY	DRAWING NO.
less than 10	± 0.3	m/m	/	劉 May.12'10 德勇	劉 May.18'10 德勇		PS12A-007
above 10 - 30	± 0.5						
above 30 - 100	± 1.0						
angular dimension	± 5'						



ISO-9001:2000 110610015
ISO-14001:2004 120811013

承認書

SPECIFICATION

編號(NO): C10A023

日期(DATE): 2010.11.10

客戶名稱 (CUSTOMER'S NAME): 贊順企業有限公司

華炬品名 (OUR PART NAME): PS12A1B1(G)

客戶品名(CUSTOMER'S PART NAME):

客 戶 承 認

核 准	審 核	經 辦 者
李躍鑫	崔彥魁	吳從榮

博羅縣石灣鎮華炬電子有限公司
HUA JU ELECTRONICS LTD.

TEL:86-752-6905901~902 FAX:86-752-6901299

中國廣東省惠州市博羅縣石灣鎮里波水管理區
LiBo shui, Shi Wan Town, Poluo County,
Huizhou City, Guang Dong Province, China

http://www.jason-hie.com E-mail: hie@jason-hie.com