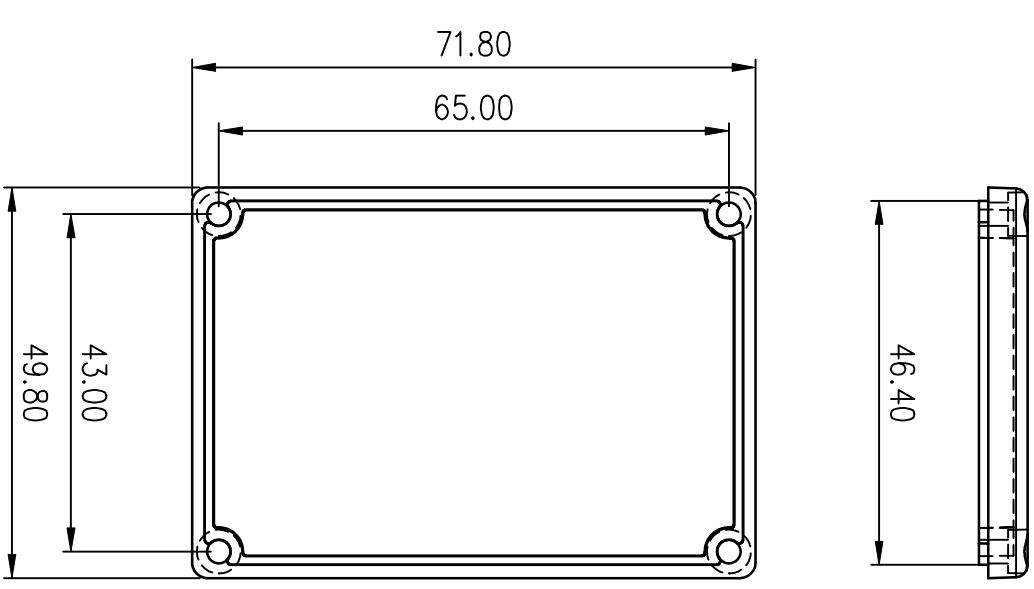
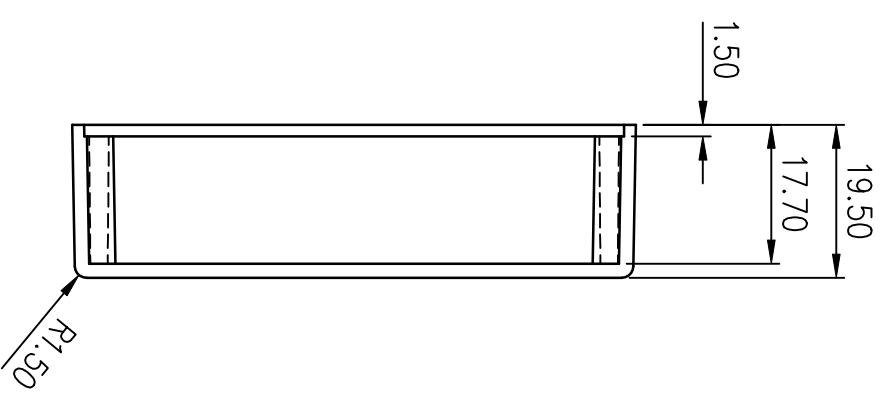
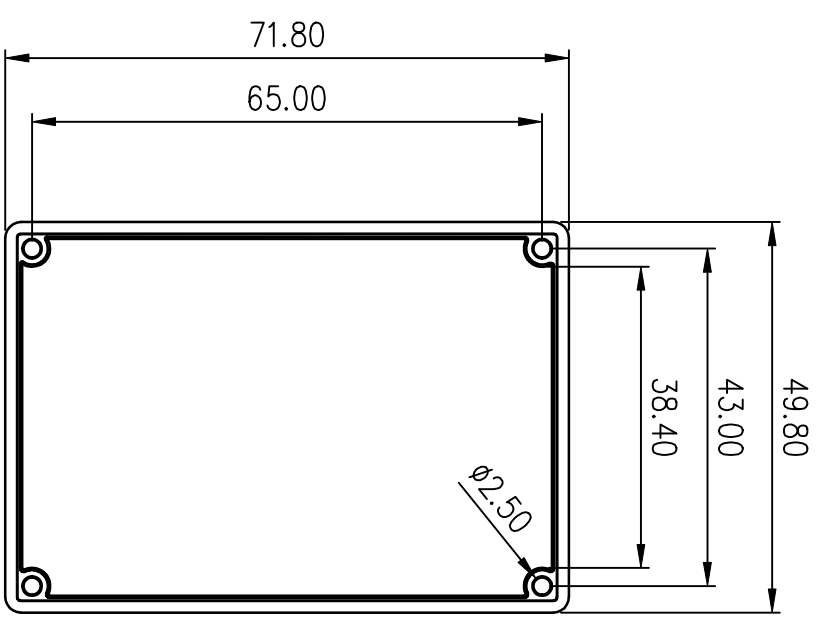
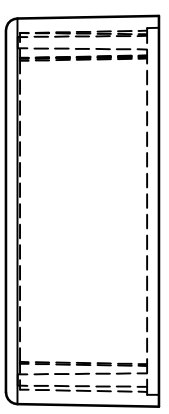
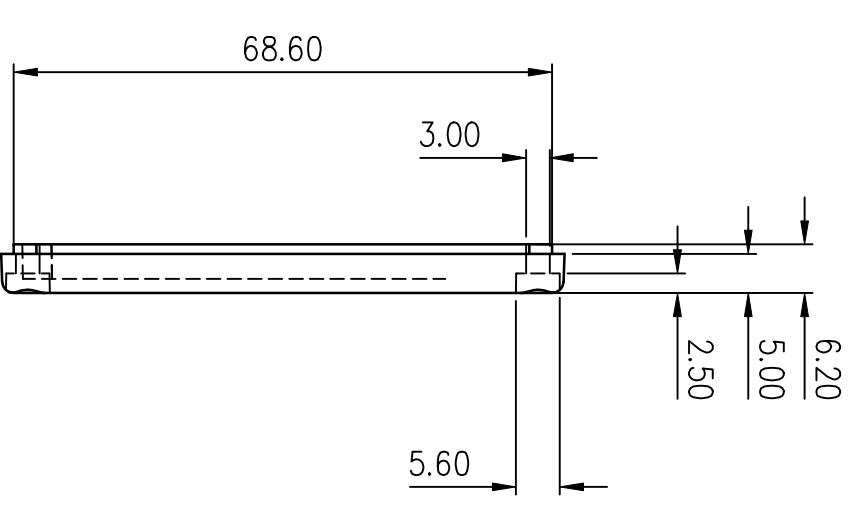


72x50 Box



72x50 Lid



NOTE ON FINISH:  
 SIDES OF BOX TO BE FINE SPARKED FINISH  
 BASE OF BOX AND THE LID TO BE HIGH GLOSS FINISH

Date		Drawn:		Title	
Scale:		Sheet No:		POT-1	
1 : 1		1 of 1		Dwg No	
				Tel/fox:	