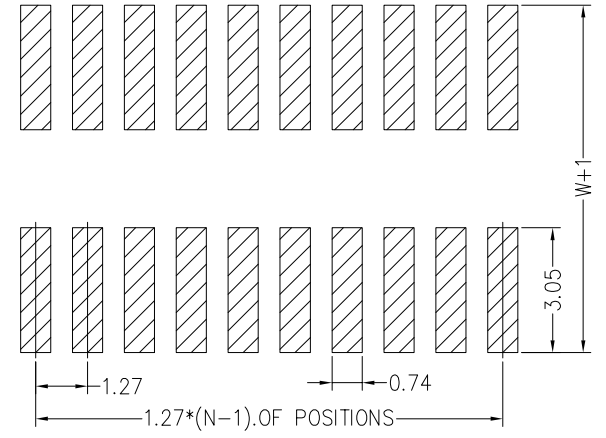
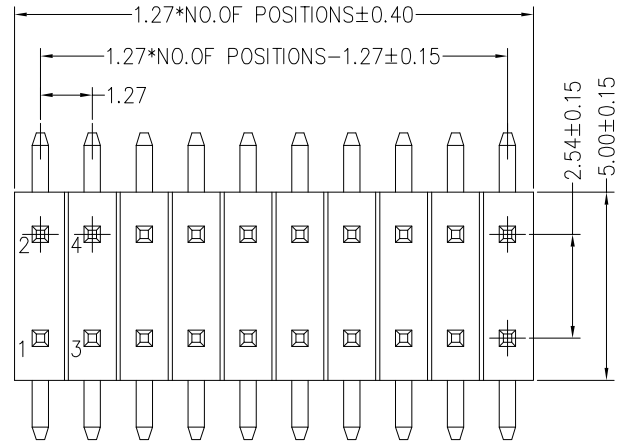


ROHS Compliant

NOTES:

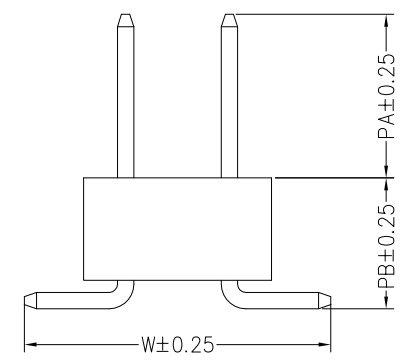
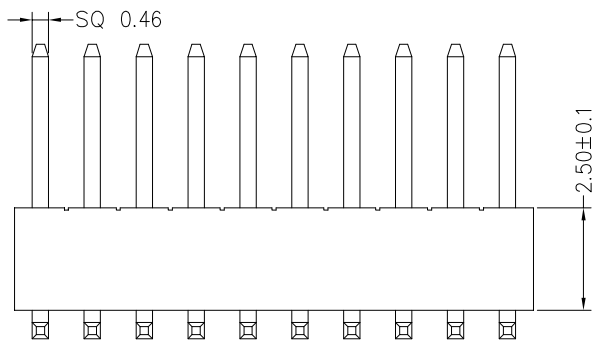
Voltage Rating: 100V, AC/DC
 Current Rating: 3.0 AMP, AC/DC
 Dielectric Withstand Voltage: 500V, AC/Minute
 Contact Voltage: 20 mΩ Max
 Insulation Voltage: 1000 mΩ Min
 Operation Temperature: -40°C to +105°C
 Insulator Material: Polyester, UL94 V-0
 Contact Material: Brass
 Contact Plating: Au or Sn Plated on Nickel Overall

Recommended P.C.B Layout
 P.C.B Board Tolerance ±0.05



NEW PART NUMBER

PH D25-21 XX M XX X XXX X X
 Housing Height 25=2.50 NO.of Pins Per Row 2-50P Contact Plating G0=Gold Flash G1=3u"Gold G2=5u"Gold G3=10u"Gold G4=15u"Gold G5=30u"Gold SN=Tin Plated Pin Length 072=7.20 Packing O=PE Bag A=Tray T=Tube



Dimension antitheses list				
item	PA	PB	W	L
Standard	2.8	3.8	7.50	----
Alternate	----	----	----	----

REV	DATE	MODIFICATION DESCRIPTION	CHANGE	OPERATION		DRAW	Helen	2022/07/26
A0	2022/07/26	NEW		X.X	±0.40	DESIGN	Jenny	2022/07/26
				X.XX	±0.25	CHECK	Franck	2022/07/26
				X.XXX	±0.15	APPROVE	Steven	2022/07/26
				Angle	±3°			
				DIM	TOL			

LPI 深圳市起德电子科技有限公司
 SHEN ZHEN QIDE ELECTRONIC TECHNOLOGY CO.,LTD

PART NO.	PHD25-21XXMXXXXXXXXX	UNIT	mm
TITLE	1.27*2.54mm Pin Header H=2.5,Dual Row,180°SMT	SCALE	1:1
Customer NO.	---	SHEET	1/1
		PROJ.	