

RoHS COMPLIANT

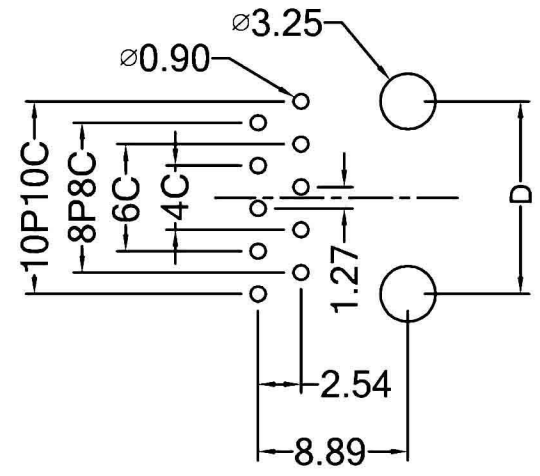
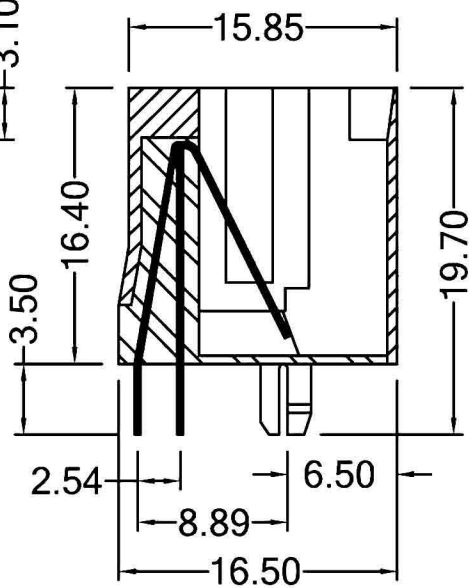
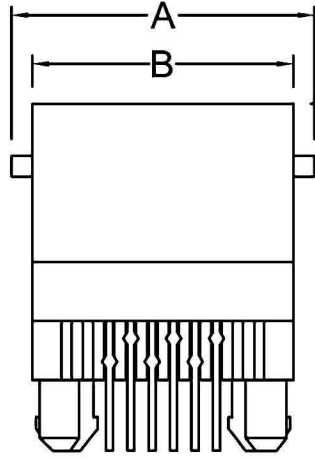
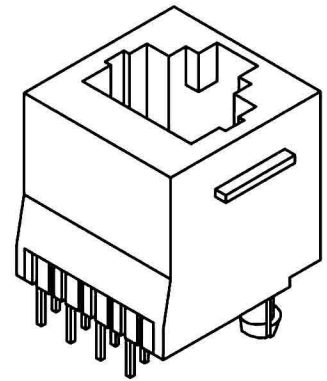
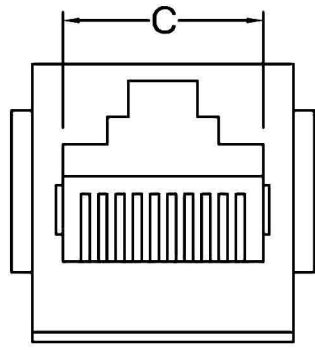
REV	ECN NO.	DESCRIPTION	DATE
A		RELEASE	AUG. 07'03
B		ADD. RoHS	DEC. 12'08
C		ADD. SPEC	JUL. 01'09
D		MODIFY P/N	SEP. 20'12

MATERIAL & FINISH

Housing & Insert: PBT. UL94V-0, black
 Conductor: 0.35 mm thickness phosphor bronze,
 Gold plated over nickel on contact area,
 Tin plated over nickel on solder area.
 Temperature : -40 to +80°C
 Durability : 500 cycles min.

ELECTRICAL

Voltage Rating : 125 V
 Current Rating : 1.5 A
 Contact Resistance : 30 milliohms max.
 Insulation Resistance : 500 megaohms min.
 Dielectric Withstanding Voltage : 1000 V



PCB LAYOUT / TOP VIEW

PCM * PB * C - *U

Gold plating:
 Blank= 6 μ"
 15U=15 μ"
 30U=30 μ"
 50U=50 μ"
 No. of contact:
 10, 8, 6, 4, 2
 No. of position:
 10, 8, 6, 4

position	contact	A	B	C	D
4P	4C	13.85	11.40	7.90	7.62
6P	2C/4C/6C	15.85	13.45	10.00	10.16
(8P)6P	4C/6C	18.00	15.50	10.00	11.43
8P	4C/6C/8C	18.00	15.50	11.90	11.43
10P	10C	18.00	15.50	11.90	11.43

TOLERANCE UNLESS OTHERWISE SPECIFIED			PROJECTION	
LINEAR	ANGLE		UNITS	
X. ±	X° ±			MM
.X ± 0.30	.X° ±			
.XX ± 0.20	.XX° ±		SCALE	
.XXX±	.XXX° ±			
APPD			SIZE	
CHKD				A4
DRAW	Z	SEP. 20'2012		

GTK GOLD-TEK ELECTRIC CO., LTD.

TITLE: PCB Mount Jack Top Entry Type With Flange
 CPART NO.:

PART NO. **PCM*PB*C(-*U)**
 CAD NO. I611 SHEET 1 OF 1
 F:\PDF\SOC\SOC-0189

圖面編號: **GTKSD1125-D(1)**