



MANTECH

MANTECH ELECTRONICS (PTY) LTD

A MOBICON COMPANY

Leading Suppliers of Electronics, Electrical & Technical
Parts, Components, Tools, Instruments & Consumables

JHB : (011) 493-9307

CPT : (021) 535-3150

KZN : (031) 309-7686

FAX : (086) 654-5189

sales@mantech.co.za

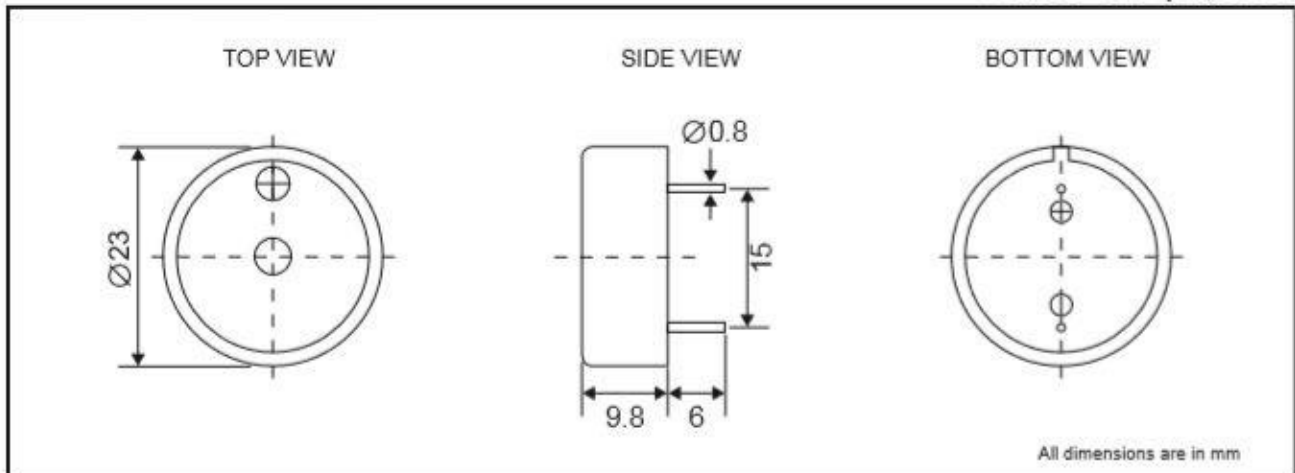
www.mantech.co.za

Piezo Buzzer

SPB03 series

DIMENSIONS

Date : 16 Apr.,2013



Ref. no. : QS045-1R



ELECTRICAL SPECIFICATIONS

Model No.		PB03-SD12NPR
Operating Voltage	[VDC]	3 ~ 24
Rated Voltage	[VDC]	12
* Max. Rated Current	[mA]	12
* Min. Sound Output	[dBA / 30cm]	85
* Frequency	[Hz]	3500 +/- 500
Tone Nature		Single
Operating Temperature	[°C]	-20 ~ +80
Terminal		Pin
Housing Material		MPPO
Colour		Black
Weight	[gm]	4

*Value applying at rated voltage