



NU6-II Low-voltage Surge Arrester

1. General

- 1.1 Certificates: international certificates are under proceeding;
- 1.2 Number of poles: 1, 2, 3, 4;
- 1.3 Electric ratings: 230/400V, AC50Hz;
- 1.4 Application: Protect electric system and on-loading electrical apparatus from thunder and instantaneous over-voltage;
- 1.5 Standard: IEC 61643-1, EN 61643-11



2. Technical data

Model	Max. continuous operational voltage U_c (V~)	Level of protection U_p (kV)	Maximum discharge current I_{max} (8/20 μ s) (kA)	Nominal discharge current I_n (8/20 μ s) (kA)	Mounting category of protected apparatus
NU6-II	385	1.8	40	15	II, III
	460	2.0			II, III
NU6-II	385	1.8	60	25	II, III
	460	2.0			II, III
NU6-II	385	1.8	100	40	II, III
	460	2.0			III

Auxiliary	Configurations	Rated voltage U_n (V)	Rated current I_n (A)
contact	INO+INC	AC125	3

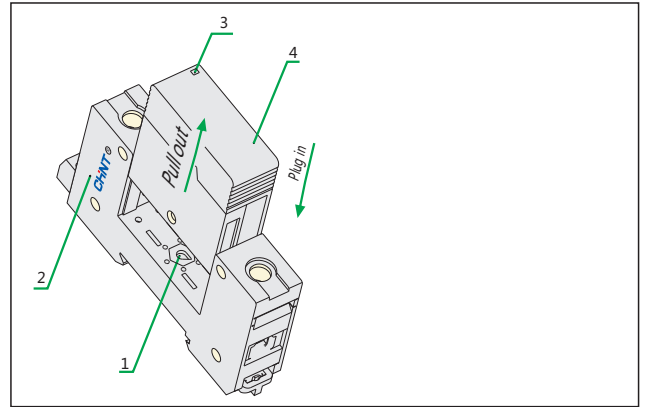
3. How to select surge protectors

- a. The voltage should be $\leq U_c$;
- b. $U_p <$ maximum impulse withstands;
- c. Different protectors should be selected according to various grounding system and protection mode.

Model	Max. continuous operational voltage U_c (V~)	Applicable grounding system	Protection mode	Circuits	Number of poles
NU6-II	385	TN-S	L-PE, N-PE, L-N	1 phase, 3 phase 5 wire	1,2,3,4
		TN-C	L-PE	1 phase, 3 phase 4 wire	1,2,3
		TT	L-PE, N-PE, L-N, L-L	1 phase, 3 phase 4 wire	1,2,3,4
	460	TN-S	L-PE, N-PE, L-N, L-L	1 phase, 3 phase 5 wire	1,2,3,4
		TN-C	L-PE, L-L	1 phase, 3 phase 4 wire	1,2,3
		IT	L-PE, N-PE, L-L	1 phase, 3 phase 3 /4 wire	1,2,3,4
		TT	L-PE, N-PE, L-N, L-L	1 phase, 3 phase 4 wire	1,2,3,4

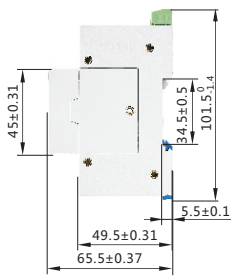
4. Functions

- 4.1 The product is composed of two independent components: removable protective module 4 and base 2;
- 4.2 When the product is damaged, the part 3 will indicate; please replace the removable protective module 4 at once and there is no need to cutoff the circuits;
- 4.3 The part 1 is for maximum continuous operational voltage indication as well as avoiding replacement with wrong module.



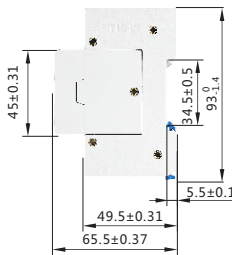
NU6-II/F (40, 60kA) with remote control port

5. Overall and mounting dimensions (mm)

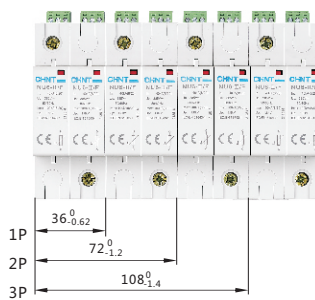
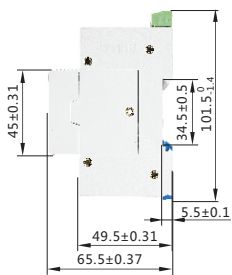


← Auxiliary contact

NU6-II (40, 60kA) without remote control port



NU6-II/F (100kA) with remote control port



← Auxiliary contact

NU6-II/F (100kA) without remote control port

