



SPL (HONG KONG) LIMITED

香港九龍觀塘創業街25號創富中心25樓2507室
Room 2507, 25/F, Prosperity Centre, 25 Chong Yip Street, Kwun Tong, Kowloon, HK.
Tel: 852-2342 6857 / 2342 6867 Fax: 852-2342 6847 Email: sales@spl-hk.com.hk
Website: www.buzzer.com.hk ; www.transducer.com.hk ; www.connector.com.hk

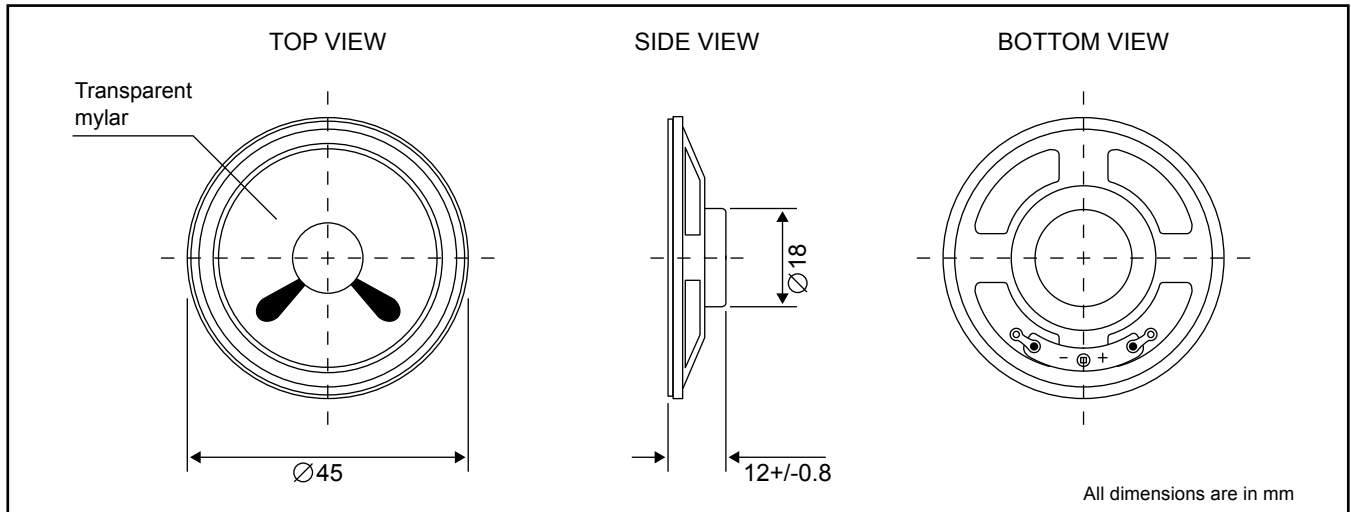


ISO 9001:2008
Management
System
ID 9105074689

Mylar Speaker MSI45 Series

DIMENSIONS

Date : 24 Jan.,2018



Ref. no. : CX285-1R

Remark : Transparent mylar



ELECTRICAL SPECIFICATIONS

Model No.	MSI45-03R
Diameter	45 +/- 0.5 mm
Height	12 +/- 0.8 mm
Back Dia.	18 +/- 0.5 mm
Output S.P.L.	84 +/- 3 dB [At 0.1W/0.1m, ave. 0.6K, 0.8K, 1.2K, 1.5K Hz]
Impedance	24 ohm +/- 15%
Resonant Freq. [Fo]	750 Hz +/- 20 %
Freq. Response	Fo ~ 4.5K Hz
Rated Input Power	0.5 W
Max. Input Power	1.0 W
Buzzer & Rattles	Must Be Normal [Sine Wave 3.46 V, Fo ~ 20K Hz]
Load Test	Must Be Normal [White Noise 0.5 W, 96 Hours]
Heat Test	Must Be Normal [85 +/- 3 °C, 96 Hours]
Cold Test	Must Be Normal [-40 +/- 3 °C, 96 Hours]
Humidity Test	40 +/- 3 °C, 92 ~ 95% R.H. 96 Hours
Case Material	Metal
Magnet	Internal Magnet
Operating Temperature	-30 ~ +70 °C
Storage Temperature	-40 ~ +85 °C
Weight	14 g