



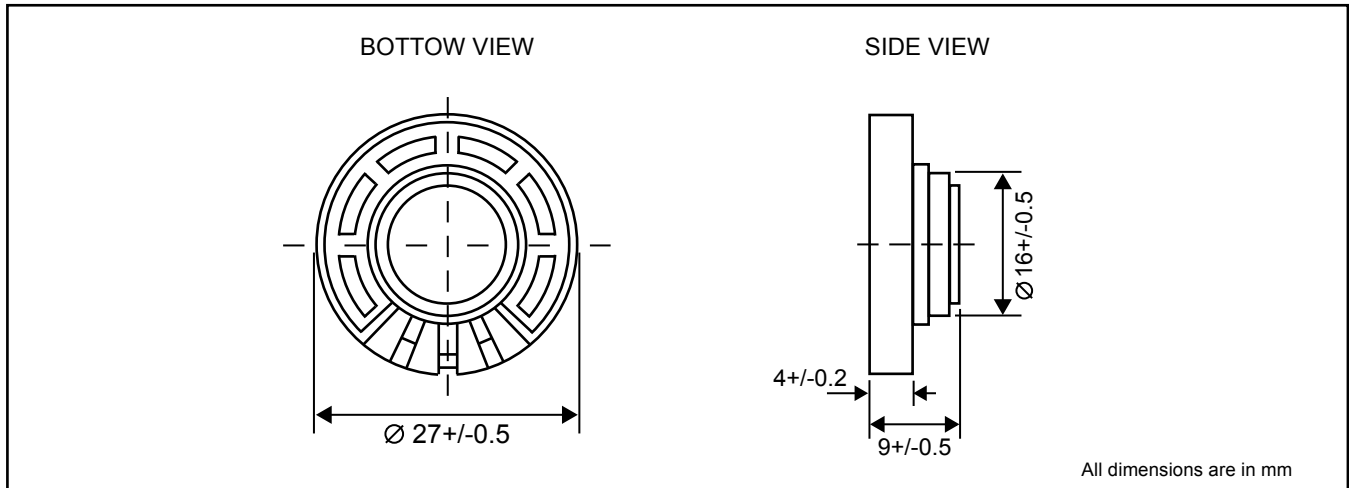
SPL (Hong Kong) Limited

Rm 2507, 25/F, Prosperity Centre, 25 Chong Yip St., Kwun Tong, Kln., HK.
Tel: 852-23426867 / 57 Fax: 852-23426847 Email: sales@spl-hk.com.hk
www.buzzer.com.hk ; www.transducer.com.hk ; www.connector.com.hk

Mylar Speaker MSE27 Series

DIMENSIONS

Date : 25 Jun, 2007



Ref. no.: PC439DX

ELECTRICAL SPECIFICATIONS

| | |
|-----------------------|--|
| Model No. | MSE27-07 |
| Diameter | 27 +/- 0.5 mm |
| Height | 9 +/- 0.5 mm |
| Back Dia. | 16 +/- 0.5 mm |
| Output S.P.L. | 78 +/- 2 dB [At 0.1W/0.1m, ave. 0.8K, 1.0K, 1.2K, 1.5K Hz] |
| Impedance | 64 ohm +/- 15% [At 1000 Hz, 1.0 V] |
| Resonant Freq. [Fo] | 750 Hz +/- 20 % |
| Freq. Response | Fo ~ 5000 Hz |
| Rated Input Power | 0.25 W |
| Max. Input Power | 0.30 W |
| Buzzer & Rattles | Must Be Normal [At 4.0 V Sine wave Fo ~ 2K Hz] |
| Load Test | Must Be Normal [White Noise 0.25 W, 96 Hours] |
| Heat Test | Must Be Normal [55 +/- 2 °C, 20 ~ 25% R.H. 16 Hours] |
| Cold Test | Must Be Normal [-25 +/- 2 °C, 16 Hours] |
| Humidity Test | 40 +/- 2 °C, 90 ~ 95% R.H. 96 Hours |
| Case Material | Plastic |
| Magnet | External Magnet |
| Operating Temperature | -10 ~ +40 °C |
| Storage Temperature | -25 ~ +55 °C |
| Weight | 7 g |