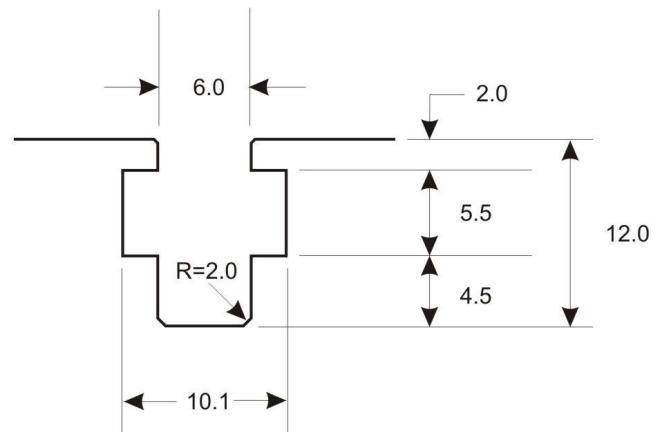


Profile



Detail of nut insert

Notes :

1. All dimensions are in mm
2. All external corners have a 2mm radius
3. Center hole is 5.0mm diameter
4. Four outer (open) holes are 4.2mm dia.
5. Dimensions of nut insert are shown below :

MANTECH ELECTRONICS

Structural Profile

ME16-0001

REV 1.0

18 OCT 2009