

# MEC

---

## APPROVAL SHEET

Product: Electret Condenser Microphone

Model	MD09765APN-50
Customer name	
Sensitivity	-38±2dB
Test Condition	4.5V 2.2KΩ

DESIGNED BY	William Liu
REVISED BY	George Liu
APPROVED BY	Jeremy Feng
SUBMISSION DATE	2014/11/14

### CUSTOMER:

P/N of Customer:

APPROVED BY	APPROVED DATE

# MEC

Customer :

P/N:

Smp No:

Eng No:

## ELECTRET CONDENSER MICROPHONE

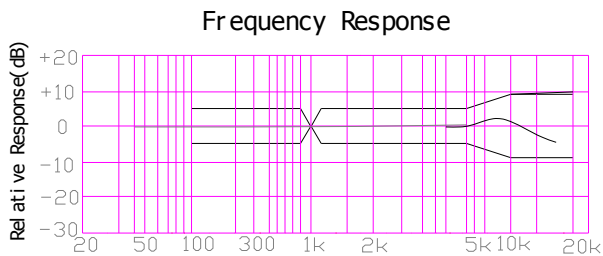
- MODEL: MD09765APN-50
- CUSTOMER:

### 1. Electrical characteristics:

Directivity	Omnidirectional
Pb containment Requirement	Lead free
Charging type	Diaphragm
Sensitivity	-38± 2dB (0dB=1V/Pa, 1KHz)
Output impedance	Low impedance
Standard operating voltage	4.5V
Operating voltage range	1V-10V
Current consumption	less than 500µA
Voltage deduction characteristic	Within 3dB at 4V
S/N Ratio	More than 60dB (SPL=1Pa, 1KHz, A-weighting)

### 2. Frequency Response and Schematic Diagram:

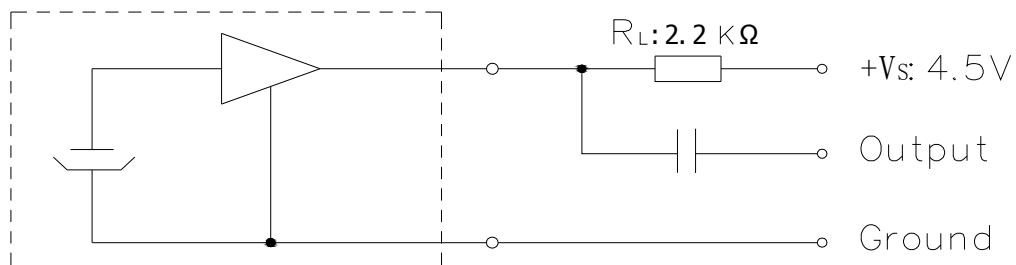
#### 2.1 Typical Frequency Response Curve:



Microphone Response Tolerance Window

Frequency (Hz)	Lower Limit (dB)	Upper Limit (dB)
100	-5	5
200	-5	5
800	-5	5
1000	0	0
1200	-5	5
2000	-5	5
5000	-5	5
10000	-8	8

#### 2.2 Schematic Diagram:



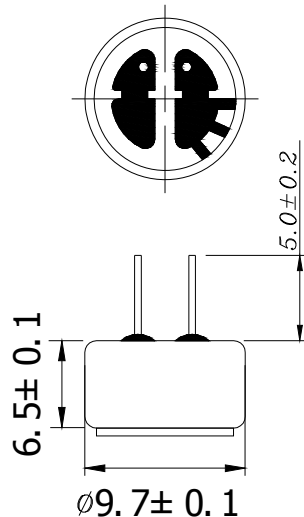
# MEC

## 3. Mechanical characteristics:

3.1 Weight: Less than 0.8g

3.2 Dimension:

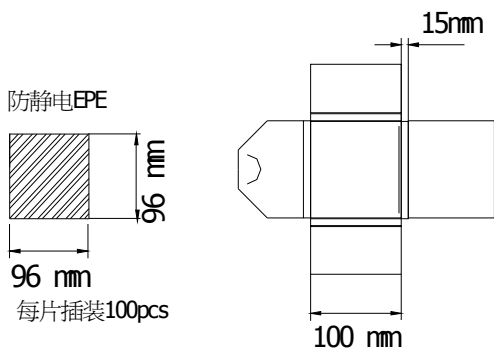
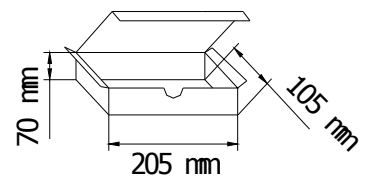
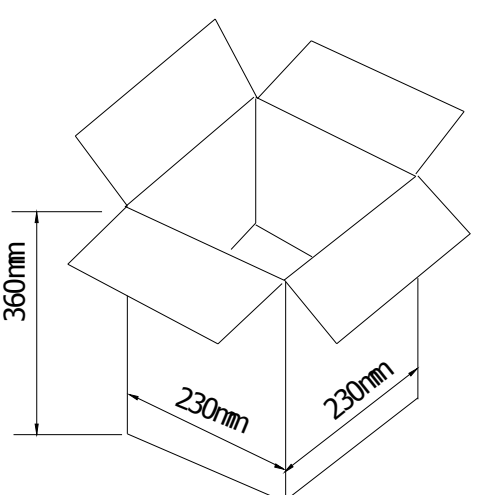
Unit: mm



## 4. Soldering Condition

- 4.1 The soldering copper of a small type of 13~20W shall be applied.
- 4.2 The temperature of the working surface of the soldering copper shall be below 320°C.
- 4.3 ECM shall be soldered fixed on the metal block (heat sink), which has the higher radiation effects said heat sink shall contact with of ECM
- 4.4 The soldering time for each terminal shall be 1~2 sec.
- 4.5 The pinhole after soldering shall be avoided.
- 4.6 ECM may easily destroyed by the static electricity and the countermeasure for eliminating the static electricity (the ground for soldering copper, for worktable and for human body) shall be executed.

## 5. PACKAGING:

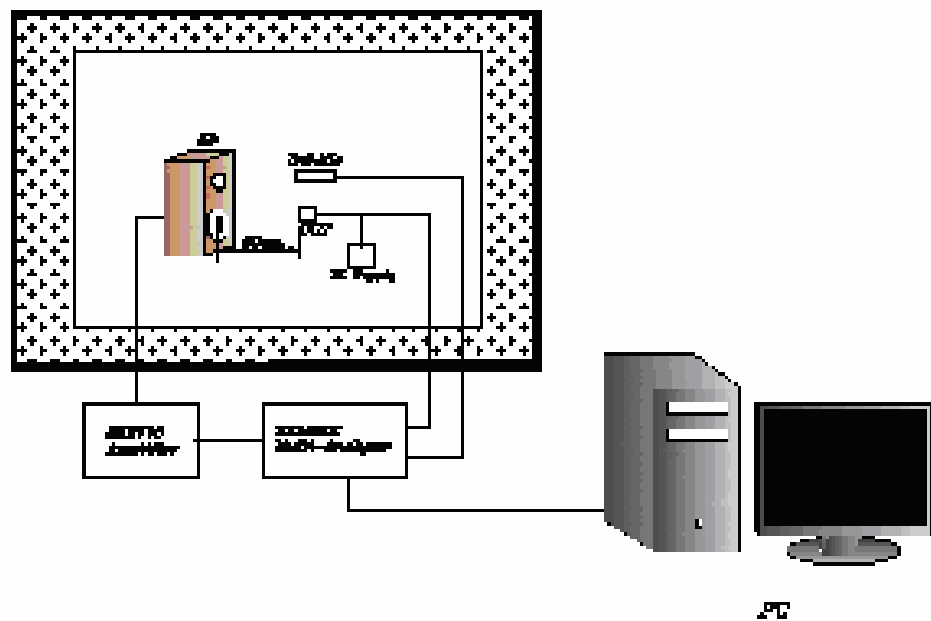
小包装	SMALL PACKET 100mm*100mm*12mm 100PCS/ INHALE SMALL BOX	 <p>防静电EPE 96 mm 96 mm 每片插装100pcs 15mm 100 mm</p>
中包装	MID PACKET: 205mm*105mm*70mm 1000PCS/MID PACKET	 <p>70 mm 205 mm 105 mm 中包装盒(1000只)</p>
大包装	PAPER CASE: 230mm*230mm*360mm 10000PCS/PAPER CASE	 <p>360mm 230mm 230mm 中包装箱(10000只)</p>

# MEC

## 6 . TEST SETUP DRAWING

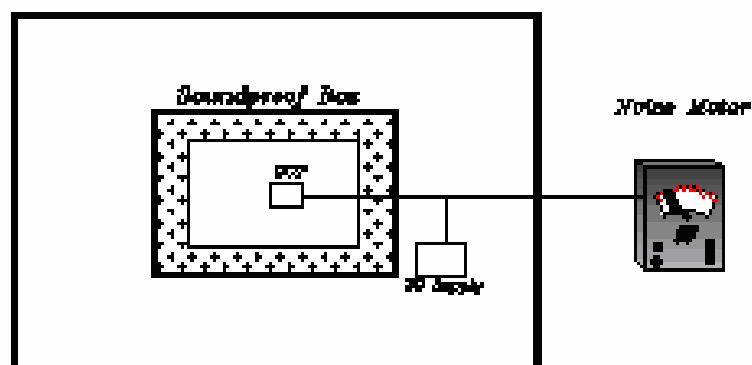
### 5.1 Standard Frequency Response Test

#### *Anechoic Room*



### 5.2 S/N Ratio Test

#### *Anechoic Room*



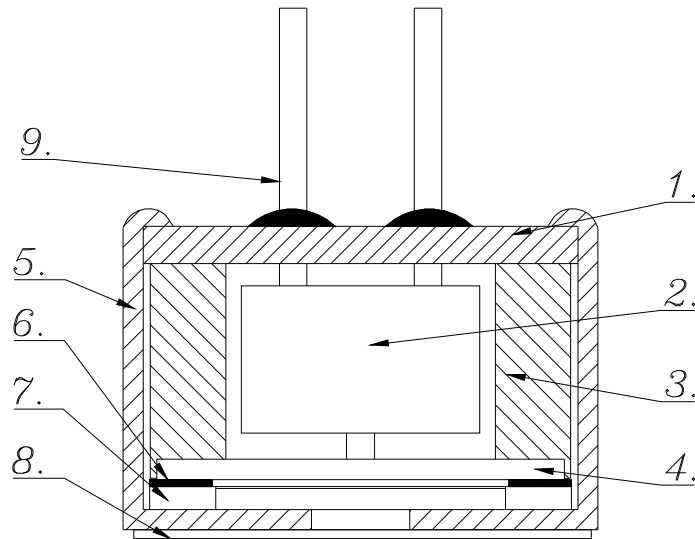
# MEC

## 7. Reliability test:

Item	Test condition	Evaluation
1	High temperature Test	The part shall be capable of with- standing a storage temperature of +70 °C for 200 hours.
2	Low temperature Test	The part shall be capable of with- standing a storage temperature of -20 °C for 200 hours.
3	Temperature cycle test	The part shall be subjected to 5 cycle. One cycle shall consist of ( +70 °C , 30min → Room temp(+20 °C) , 10min → -20 °C 30min → Room temp(+20°C) , 10min)
4	Humidity Test	The part shall be capable of with- standing a storage of humidity of 90~95% at the +40 °C for 200 hours.
5	Drop Test	The microphone unit without package must be subjected to each 3 drops at three axes from the height of 1 meter to 20 mm thick hardwood board.
6	Vibration Test	The microphone unit must be subjected to each 2 hours vibrations at three axes 2mm dynamic range, 10~50Hz/minute.
7	Soldering Heat Resistance	Soldering iron of +330 ± 5 °C should be placed on the terminal for 2±0.5 seconds.
After the test the ECM unit shall meet the requirement of no more than ±3dB variation from initial sensitivity after 2 hours recovering.		

# MEC

## 8. Drawing



1	PCB	7	振膜
2	FET	8	防尘网
3	腔体	9	PIN
4	极板	10	
5	外壳	11	
6	垫片	12	