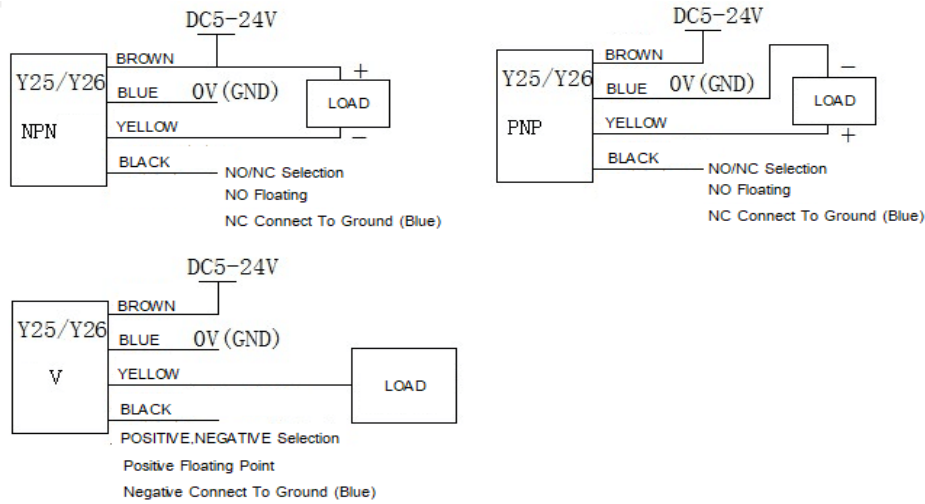
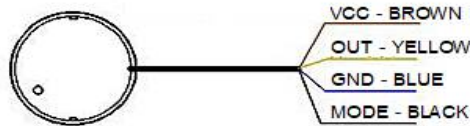


## Product Description

XKC-Y25-V Sensor Switch Non-contact liquid level measurement Able to measure liquids through the thickness of the water tank up to 13 mm. Based on the change in the capacitance inside the sensor. The output signal has 2 states, OPEN - CLOSE. It can be used with the controller board via Pin Digital Input



## Specification .



Input Voltage	5 - 12 V.
Current Consumption	5 mA.
Output Voltage High-Level	24 V.
Output Voltage Low-Level	0 V.
Output Current Response Time	1 - 100 mA.
Response Time	500 mS
Tempurature operating	0 - 85 C
Sensitivity Adjustment	Potentiometer
Pipe diameter Range	>= 10 mm.
Range Accuracy	-1.5 mm To +1.5 mm.
Liquid Level Himidity	5% To 100%
Body Material	ABS
Waterproof Performance	IP65

## Application

