

ADM3-DN

Moulded Case Circuit Breaker Application



The rated insulating voltage is 950V. Suitable for AC 50Hz (60Hz). Rated working voltage 690V or below, rated working current is 12.5A to 1250A of circuit and used in distributing electric energy. Non-frequent making and breaking in the normal conditions and protecting when circuit and installation are overload, short circuit and lacking voltage. Rated shell-rack and the breaker whose current is under 400A, take protection effect when mouse cage motor's non-frequent start, breaking off working and protecting form overload, short circuit and lacking voltage. The product conforms to IEC 60947-2 standard.

Main Technical Data



Model NO.	Rated Current(A)	Icu(kA)	Ics(kA)	Electrical life	Mechanical life
ADM3-100D	16,20,25,32,40 ,50,63,80,100	18	18	1500	8500
ADM3-100N		27.5	25	1500	8500
ADM3-100H		50	35	1500	8500
ADM3-100L		65	45	1500	8500
ADM3-160D	16,20,25,32,40 ,50,63,80,100, 125,160	25	25	1000	7000
ADM3-160N		35	24.5	1000	7000
ADM3-160H		50	35	1000	7000
ADM3-160L		65	45	1000	7000
ADM3-250D	160,180,200, 225,250	25	25	1000	7000
ADM3-250N		35	24.5	1000	7000
ADM3-250H		50	35	1000	7000
ADM3-250L		65	45	1000	7000
ADM3-400D	200,225,250, 315,400	35	35	1000	4000
ADM3-400N		35	24.5	1000	4000
ADM3-400H		50	35	1000	4000
ADM3-400L		70	46	1000	4000
ADM3-630D	315,350,400, 500,630	35	35	1000	4000
ADM3-630N		35	24.5	1000	4000
ADM3-630H		70	35	1000	4000
ADM3-630L		70	46	1000	4000



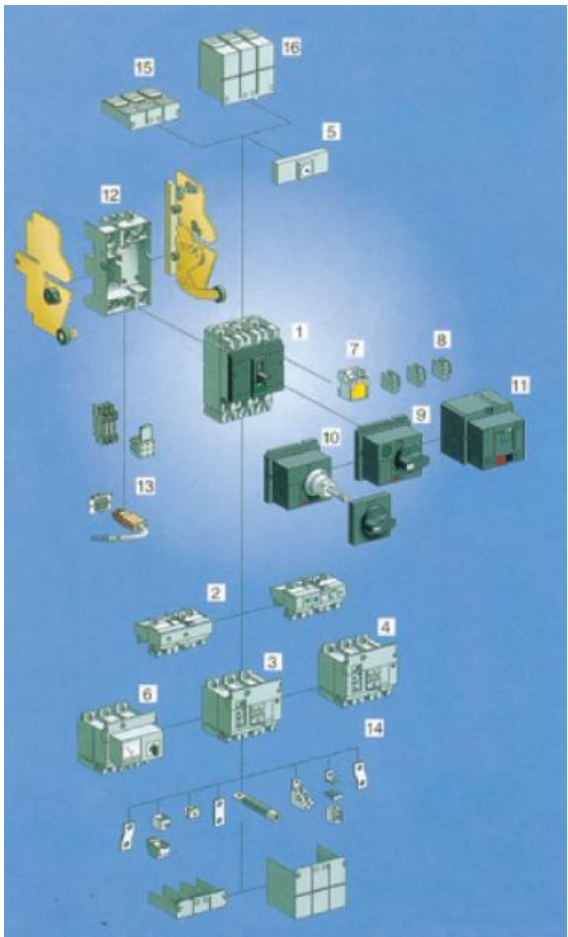
D-Economic Type; N-Standard Type;

H-High Breaking Ability; L-Ultra Breaking Ability

Classification

Installation Type	Vertical installation, Horizontal installation
Functional Type	Distribution protection type, Motor protection type
Wiring Type	Front connection, Back connection, Plug-in type
Handle Type	Direct operated handle , extend rotary handle, Motor operator
Tripping Type	Thermal magnetic tripping, Electronic tripping
Number of poles	2P, 3P, 4P

Modular System

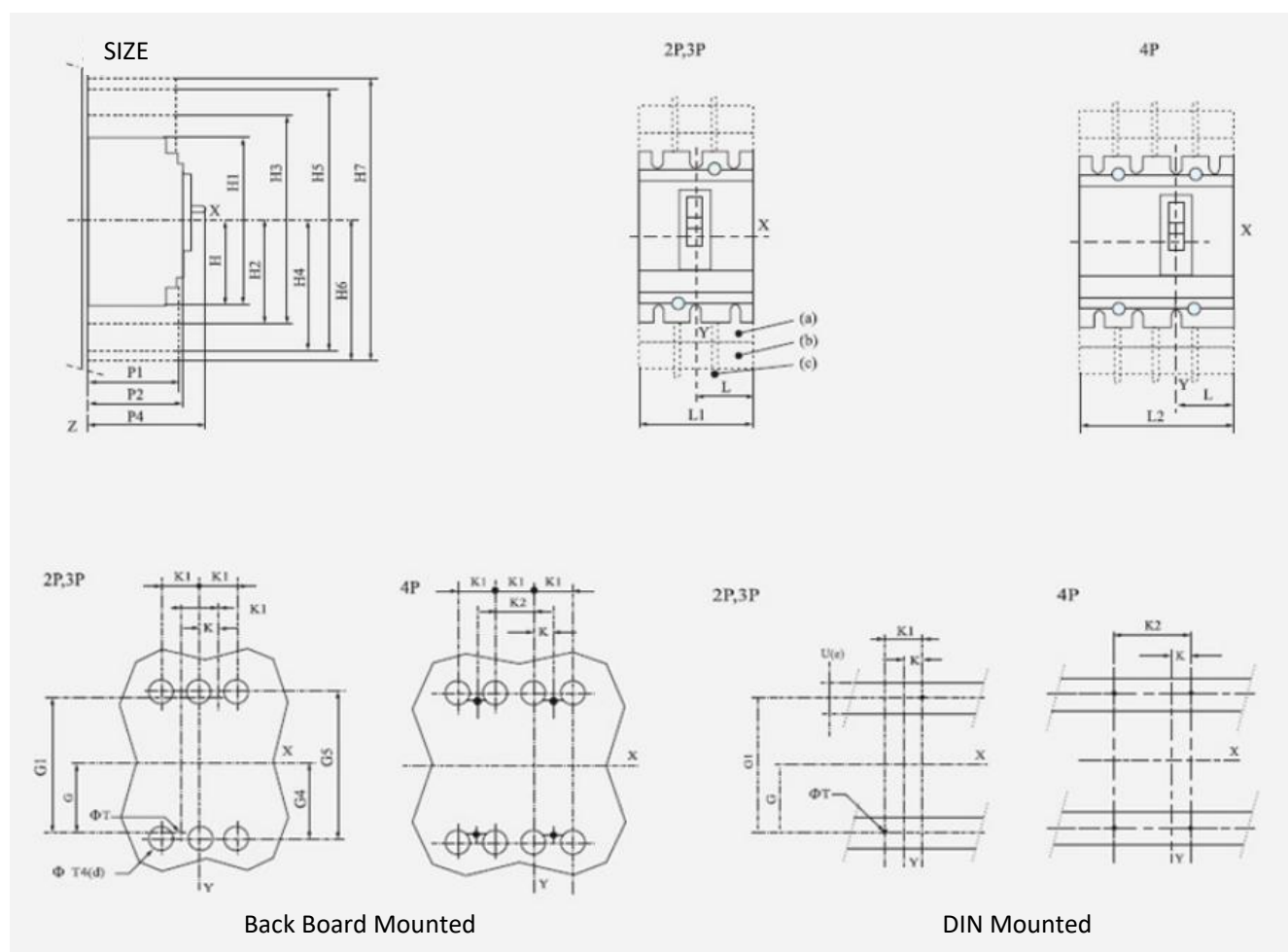
	1	Moulded Case Circuit Breaker
	2	Tripping Units
	3	Earth protection module
	4	Insulation monitoring module
	5	Indication module
	6	Current meter module
	7	Voltage tripping MN/MX
	8	Multi-function auxiliary switch
	9	Direct rotary handle
	10	Extend rotary handle
	11	Motor operator
	12	Plus-in base
	13	Plug-in and drawer type connector
	14	Copper wire connector
	15	Short terminal cap
	16	Long terminal cap

Tripping Characteristic

Electromagnetic tripping for Distribution protection					
Rated Current(A)	Thermal tripping(Ambient temperature +40°C)			Electromagnetic trip action current (A)	
	1.05In Cold state	1.30In Thermal state			
$I_n \leq 63$	≥ 1	< 1			$10I_n$ 20%
$63 < I_n \leq 100$	≥ 2	< 2			$10I_n$ 20%
$100 < I_n \leq 630$	≥ 2	< 2			$5-10I_n$ 20%

Electromagnetic tripping for Motor protection					
Rated Current(A)	Thermal tripping(Ambient temperature land type +40°C, ship type +45°C)				Electromagnetic trip action current (A)
	1.0In Cold state	1.2In Thermal state	7.2In Cold state	1.5In Thermal state	
$12.5 \leq I_n \leq 400$	≥ 2	< 2	$\leq 4\text{min}$	$2s < T_p \leq 10s$	$12I_n$ 20%

Overall and Mounting Dimension



MM	C	C1	C2	C3	C6	C7	C20	C21	G	G1	G4
100/160/250D/N/H/L	29	76	54	108	43	104	34	86	62.5	125	70
400/630D/N/H/L	41.5	116	92.5	184	53	146	46.5	126	100	200	113.5
MM	G5	H	H1	H2	H3	H4	H5	H6	H7	K	K1
100/160/250D/N/H/L	140	80.5	161	94	188	160.5	321	178.5	357	17.5	35
400/630D/N/H/L	227	127.5	255	142.5	285	240	480	237	474	22.5	45
MM	K2	L	L1	L2	P1	P2	P4	P5	P6	R	R1
100/160/250D/N/H/L	70	52.5	105	140	81	85	111	83	88	14.5	29
400/630D/N/H/L	90	70	140	185	95.5	110	168	107	107	31.5	63
MM	R2	R4	R5	R6	R7	R12	R13	ε T	ε T4	(Ue)	
100/160/250D/N/H/L	54	108	143	29	58	43	86	6	22	≤ 32	
400/630D/N/H/L	71.5	143	188	46.5	93	63	126	6	32	≤ 32	

Fixed / Plug-in Installation

