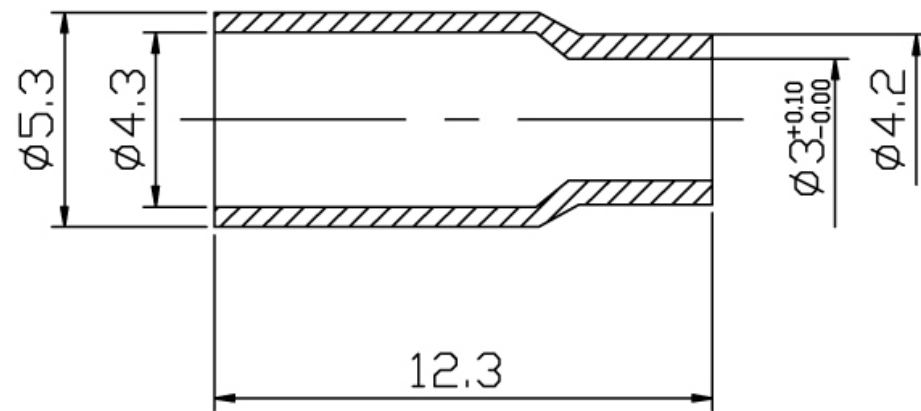
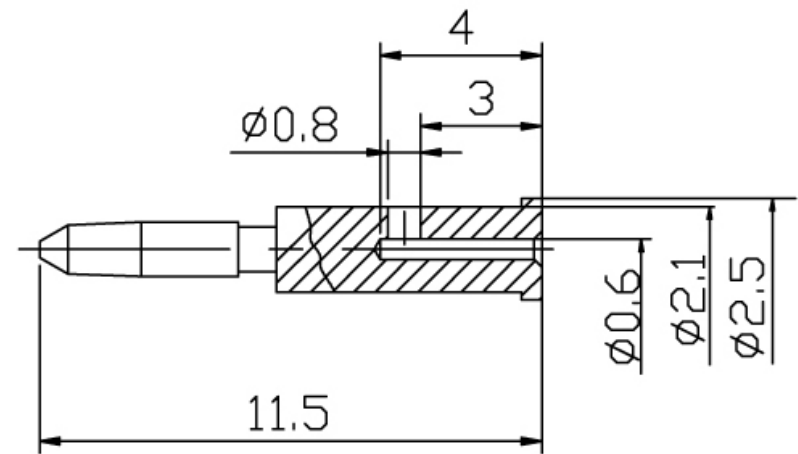
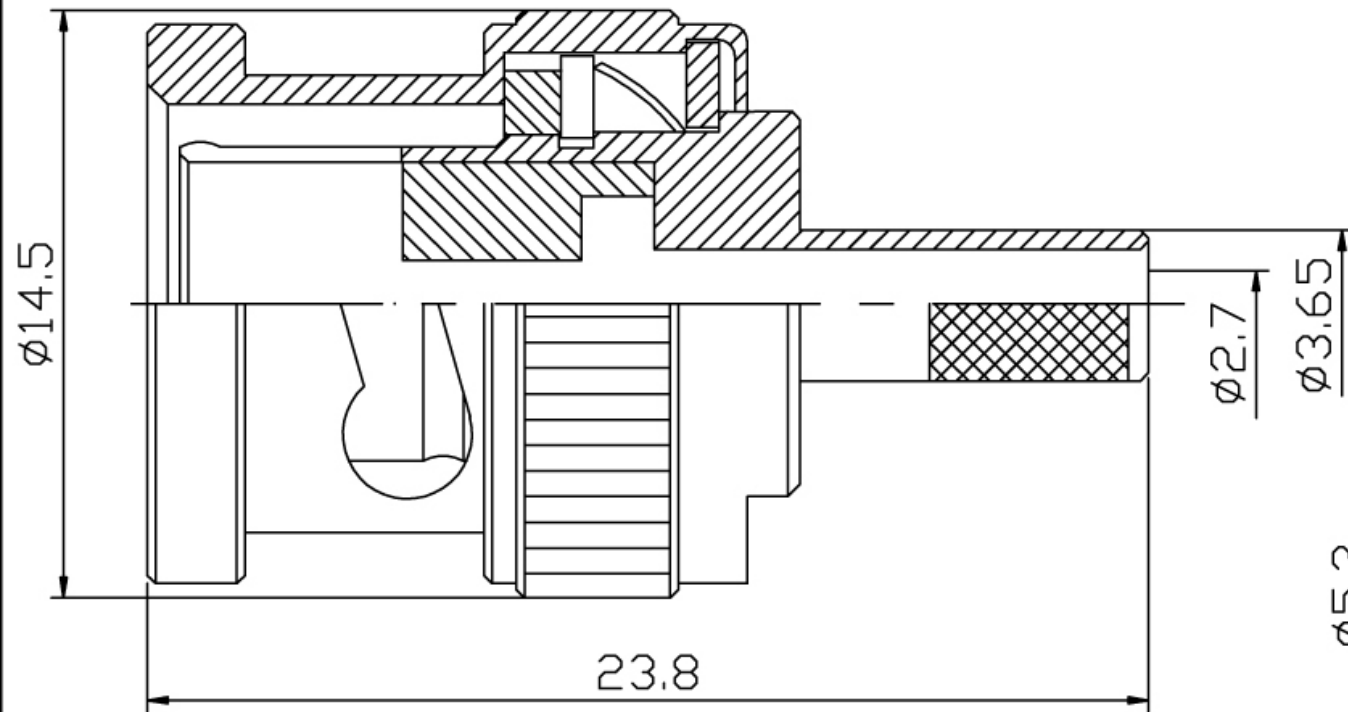


REVISIONS

ISS	DESCRIPTION\PER REQUEST\DATE



UNITS m/m <small>Unless Otherwise Specified Tolerances</small> ANGLES = ±3 UP TO 6 = ±0.1 6-40 = ±0.2 40-120 = ±0.6 120-315 = ±1.0 ABOVE 315 = ±1.6	DRAWN	Shallin Electronics Co., Ltd.
	CHECKED	TITLE. M5569P
	APPROVED	PART NO. BNC (M) CRIMP RG174U DGN/Z
	SCALE 3/1	DATE 98/10/01
ISSUE A		

NO	DESCRIPTION	MATERIAL	FINISH	Q'TY	DRAWING NO.