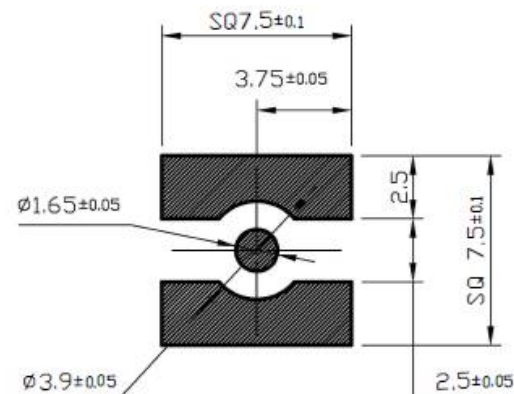
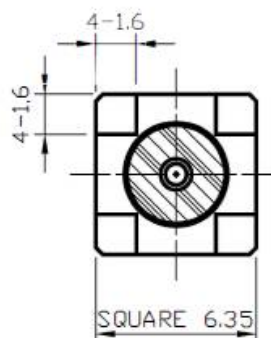
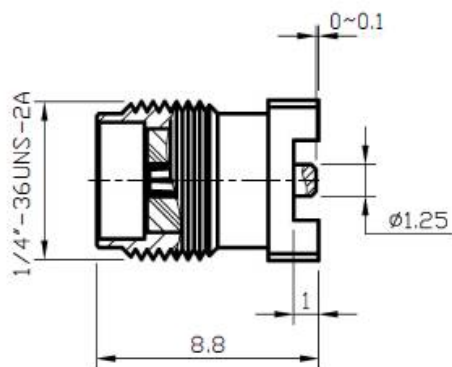


NOMINAL IMPEDANCE : 50Ω  
 FREQUENCY RANGE : DC ~ 18GHz  
 VSWR : 1.3 MAX

版本 REV	變更日期 DATE	改版說明 DESCRIPTION	確認 APPROVED
B	2024/04/16	MODIFIED DESIGN	Neil



P.C.B LAYOUT (REF)

04	INSULATOR	TEFLON	1	--	
03	CENTER PIN	PHOSPHOR BRONZE	1	GOLD	
02	INSULATOR	TEFLON	1	--	
01	BODY	BRASS	1	GOLD	
NO	DESCRIPTION	MATERIAL	Q'TY	FINISH	ITEM

製圖&設計  
R&D  
*Justice*  
2020/09/04

檢圖&核定  
APPROVED  
*Tai*  
2020/09/04

一般公差  
TOLERANCES  
±0.1

圖紙比例  
SCALE  
5:1

ALL DIMENSION IN mm  
(UNLESS OTHERWISE SPECIFIED)

品名  
P/N  
M501305

敘述  
TITLE  
SMA , Jack For P.C.B Mount (SMT)

版本  
REV  
B

**RoHS COMPLIANT** UNIT WEIGHT: 1.10g