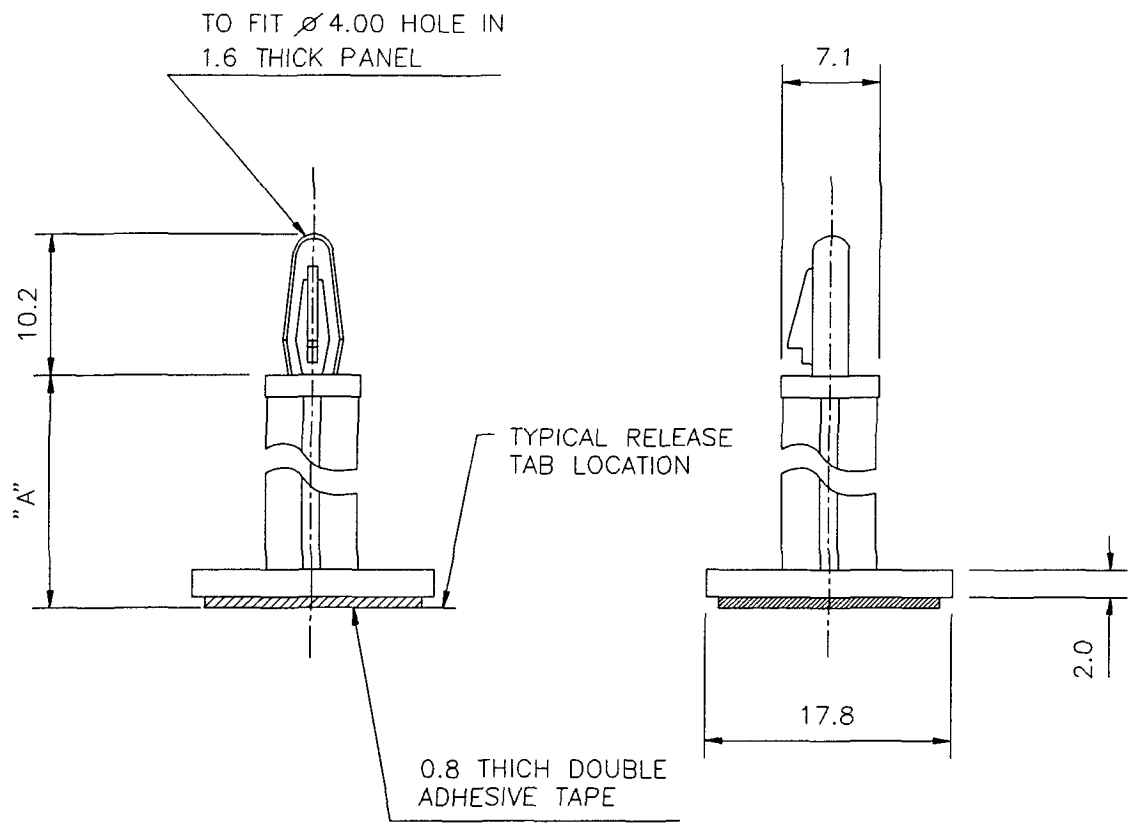


| ISSUE No | REVISION | DATE | CHKD |
|----------|----------|--------|------|
| A | NEW DWG | 030993 | |



| | |
|-----------------|----------|
| LCBSB-3-XXA-RT | 4.8 |
| LCBSB-4-XXA-RT | 6.4 |
| LCBSB-6-XXA-RT | 9.5 |
| LCBSB-8-XXA-RT | 12.7 |
| LCBSB-10-XXA-RT | 15.9 |
| LCBSB-12-XXA-RT | 19.1 |
| LCBSB-14-XXA-RT | 22.2 |
| LCBSB-16-XXA-RT | 25.4 |
| LCBSB-18-XXA-RT | 28.6 |
| PART No. | DIM. "A" |

- NOTES:
- STANDARD PACK QUANTITY: 1000
 - ALL DIMENSIONS IN mm
 - ADHESIVE BASE CONFORMS TO RICHCO SPEC. RMS-15

| | |
|----------------|---------------------------------------|
| LCBSB-Y-19A-RT | NYLON 6/6 FR (RMS-19) COLOUR- NATURAL |
| LCBSB-Y-01A-RT | NYLON 6/6 (RMS-01) COLOUR - NATURAL |
| PART No. | MATERIAL |

| | | | | | | | | |
|---|--------|---------|----------------|----------|--------|----|---|--|
| <small>INFORMATION CONTAINED IN THIS DOCUMENT IS CONFIDENTIAL TO RICHCO INTERNATIONAL COMPANY AND MAY NOT BE DISCLOSED OR REPRODUCED IN WHOLE OR PART WITHOUT THEIR WRITTEN CONSENT</small> | | DRN | MATERIAL: | | | | | |
| PART DESIGNED IN METRIC / IMPERIAL | | PTG | SEE CHART | | | | | |
| TOLERANCES -UNLESS OTHERWISE STATED | | CHKD | TITLE | | | | | |
| <table border="1"> <tr> <td>1 PLACE</td> <td>± 0.25</td> </tr> <tr> <td>2 PLACE</td> <td>± 0.20</td> </tr> </table> | | 1 PLACE | ± 0.25 | 2 PLACE | ± 0.20 | PG | LOCKING CIRCUIT BOARD SUPPORT - ADHESIVE BASE | |
| 1 PLACE | ± 0.25 | | | | | | | |
| 2 PLACE | ± 0.20 | | | | | | | |
| ANGLES ± ---° | | APPD | DESCRIPTION | SIZE | | | | |
| | | SCALE | LCBSB-Y-XXA-RT | A4 | | | | |
| | | NTS | DRG No | SHEET No | | | | |
| | | | 105-0001 | 1 of 1 | | | | |
| | | | | DATE | | | | |
| | | | | 030993 | | | | |

