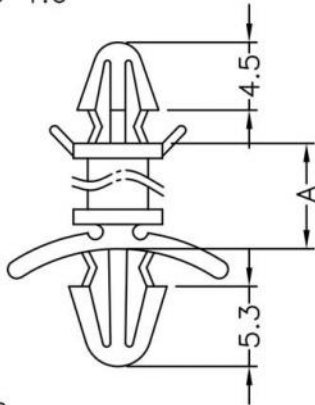


WEBSITE PHOTOS

⚠ This dwg is for reference only, Actual dwg should be based on formal engineering dwg issued by Kang Yang.

P.C.B ϕ 4.0
THICKNESS 1.6



P.C.B ϕ 4.8
THICKNESS 0.8~2.2

A
4.0

All measurement does not include gate which raises under 0.3mm.



ISO 9001
ISO 14001
QC 080000

康揚企業股份有限公司

KANG YANG HARDWARE ENTERPRISE CO., LTD.

康揚塑膠(東莞)有限公司

KANG YANG PLASTIC(DONG GUAN)CO.,LTD.

康哲電腦配件(吳江)有限公司

KANG CHE COMPUTER COMPONENTS(WUJIANG) CO.,LTD.

PART NUMBER		LCBS-4		SPEC. DWG.	
TITLE					
SPACER SUPPORT					
MATERIAL			COLOR		
NYLON 66(UL) 94V-0			BLACK		
SIZE	SCALE	UNIT	CHECK		
A4	2:1	mm	Z.C		

PART NO	A	
LCBS-5	5.0	[1] NYLON 66(UL), Flame class: 94V-0/94V-2, Color: BLACK/NATURAL.
LCBS-6	6.35	[1] NYLON 66(UL), Flame class: 94V-0/94V-2, Color: BLACK/NATURAL.
LCBS-7	7.0	[1] NYLON 66(UL), Flame class: 94V-0/94V-2, Color: BLACK/NATURAL.
LCBS-9	9.2	[1] NYLON 66(UL), Flame class: 94V-0/94V-2, Color: BLACK/NATURAL.
LCBS-10	10.0	[1] NYLON 66(UL), Flame class: 94V-0/94V-2, Color: BLACK/NATURAL.
LCBS-12	12.5	[1] NYLON 66(UL), Flame class: 94V-0/94V-2, Color: BLACK/NATURAL.
LCBS-15	15.7	[1] NYLON 66(UL), Flame class: 94V-0/94V-2, Color: BLACK/NATURAL.
LCBS-19	19.0	[1] NYLON 66(UL), Flame class: 94V-0/94V-2, Color: BLACK/NATURAL.
LCBS-20	20.0	[1] NYLON 66(UL), Flame class: 94V-0/94V-2, Color: BLACK/NATURAL.
LCBS-22	22.0	[1] NYLON 66(UL), Flame class: 94V-0/94V-2, Color: BLACK/NATURAL.
LCBS-25	25.4	[1] NYLON 66(UL), Flame class: 94V-0/94V-2, Color: BLACK/NATURAL.
LCBS-28	28.6	[1] NYLON 66(UL), Flame class: 94V-0/94V-2, Color: BLACK/NATURAL.
LCBS-30	30.0	[1] NYLON 66(UL), Flame class: 94V-0/94V-2, Color: BLACK/NATURAL.
LCBS-35	35.0	[1] NYLON 66(UL), Flame class: 94V-0/94V-2, Color: BLACK/NATURAL.



PART NO	A
LCBS-38	38.0

[1] NYLON 66(UL), Flame class: 94V-0/94V-2, Color: BLACK/NATURAL.

LCBS-45	45.0
---------	------

[1] NYLON 66(UL), Flame class: 94V-0/94V-2, Color: BLACK/NATURAL.

