

**LA7832****Color TV Vertical Deflection Output Circuit****Overview**

The LA7832 is a monolithic linear IC for vertical deflection output for small and mid-sized color television sets that requires few external components and dissipates little power. When used in conjunction with the LA7620 series of video chroma deflection ICs, the LA7800 series of deflection ICs, and the LA7850 series of display ICs, it is possible to create a stable and compact vertical output deflection circuit.

Features

- High output.
- Low power dissipation due to built-in pump-up circuit.
- Few external components needed.
- Thermal protection circuit built in.

Specifications**Maximum Ratings at Ta = 25 °C**

Parameter	Symbol	Conditions	Ratings	Unit
Maximum supply voltage	V_6 max	(Pump-up block)	30	V
	V_3 max	(Output block)	62	V
Deflection output current	I_2 max		± 1.5	Ap-o
Allowable power dissipation	P_d max	With arbitrarily large heat sink	8	W
Operating temperature	T_{opr}		-20 to +85	°C
Storage temperature	T_{stg}		-40 to +150	°C
Thermal resistance	θ_{j-c}		4	°C/W

Operating Conditions at Ta = 25 °C

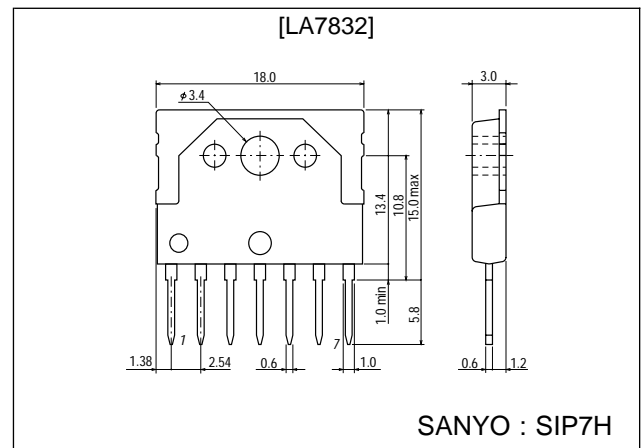
Parameter	Symbol	Conditions	Ratings	Unit
Recommended supply voltage	V_6		24	V
Operating supply voltage range	V_6		10 to 27	V
Deflection output current	I_{2p-p}		to 1.8	Ap-p

■ Any and all SANYO products described or contained herein do not have specifications that can handle applications that require extremely high levels of reliability, such as life-support systems, aircraft's control systems, or other applications whose failure can be reasonably expected to result in serious physical and/or material damage. Consult with your SANYO representative nearest you before using any SANYO products described or contained herein in such applications.

■ SANYO assumes no responsibility for equipment failures that result from using products at values that exceed, even momentarily, rated values (such as maximum ratings, operating condition ranges, or other parameters) listed in products specifications of any and all SANYO products described or contained herein.

Package Dimensions

unit : mm

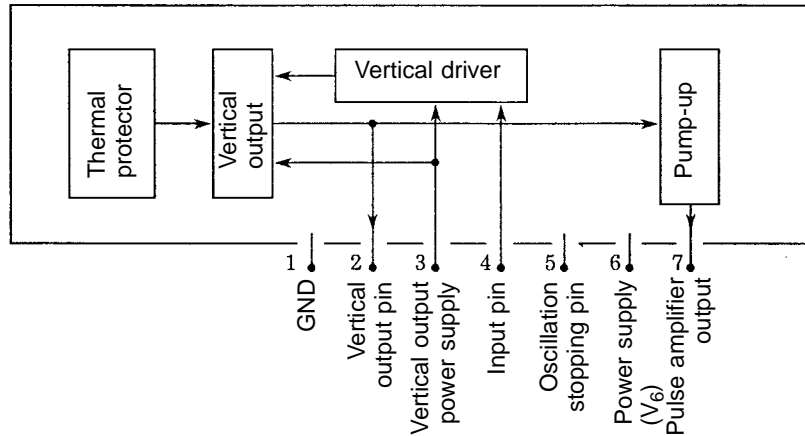
3075-SIP7H

LA7832

Operating Characteristics at $T_a = 25\text{ }^\circ\text{C}$, $V_6 = 24\text{ V}$

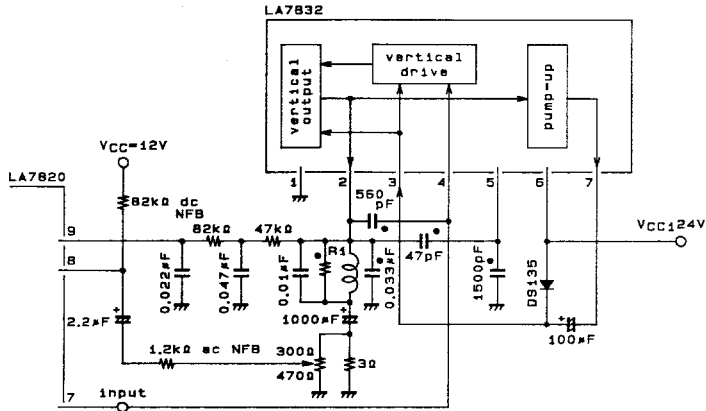
Parameter	Symbol	Conditions	min	typ	max	Unit
Deflection output saturation voltage (lower)	$V_{(sat)2-1}$	$I_2 = +0.9\text{ A}$			1.2	V
Deflection output saturation voltage (upper)	$V_{(sat)3-2}$	$I_2 = -0.9\text{ A}$			3.2	V
Pump-up charge saturation voltage	$V_{(sat)7-1}$	$I_7 = +20\text{ mA}$			1.8	V
Pump-up discharge saturation voltage	$V_{(sat)6-7}$	$I_7 = -0.9\text{ A}$			3.0	V
Idling current	I_{DL}		30		60	mA
Midpoint voltage	V_{MID}		9.5	10.5	11.5	V

Pin Assignment and Functional Block Diagram



Sample Application Circuit

LA7820 vertical output

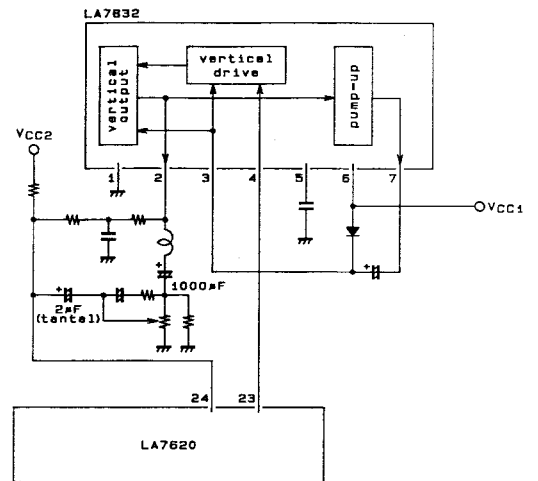


$R1^*$ = several hundreds of ohms to 1 k Ω
 *: CR used against oscillation
 The combination depends on the oscillation mode.

A04084

Sample Application Circuit

LA7620 vertical output



A04085

