



## KS0317 keyestudio Relay Module (Black and Environmental-friendly)

### Introduction:

This is a button-controlled relay module. It integrates a 12V relay.

Powered on, you can control the relay on and off through a tactile button on the module.

Or you can connect up the white connector on the module to replace the tactile button, so as to remotely control the relay on and off.

### Features:

Onboard comes with a 12V relay

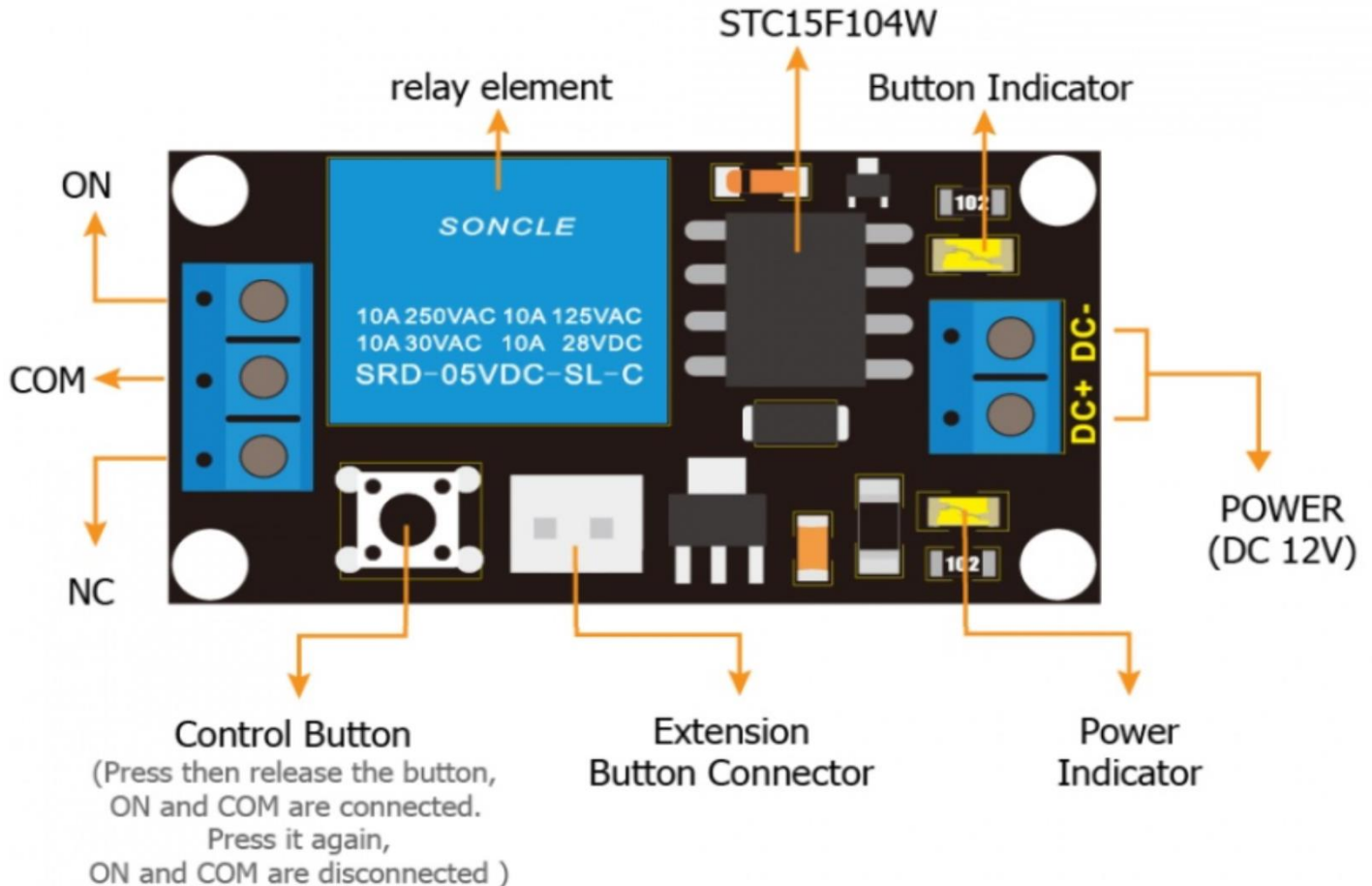
Control the relay via button or white connector

With four fixed holes, you can mount it on other devices

Safe and environmental-friendly

Operating voltage: DC 12V

Operating current: 30mA



### Resources:

[https://wiki.keyestudio.com/KS0317\\_keyestudio\\_Relay\\_Module\\_\(Black\\_and\\_Environmental-friendly\)](https://wiki.keyestudio.com/KS0317_keyestudio_Relay_Module_(Black_and_Environmental-friendly))