



Ks0058 keyestudio 4-channel 5V Relay Module

Introduction:

Arduino Relay Shield employs high quality relay with eight channels input and eight channels output. It can be connected to 250V/10A AC element or 24V/10A DC element to the maximum, therefore, it can be used to control lights, motors, etc. The modularized design makes it easy to connect to Arduino expansion board. The output state of the relay is shown by a luminous diode for the convenience of actual application.

Specification:

Control signal: TTL voltage

Active at HIGH level

Rated load: 10A 250VAC

10A 125VAC

10A 30DC

10A 28VDC

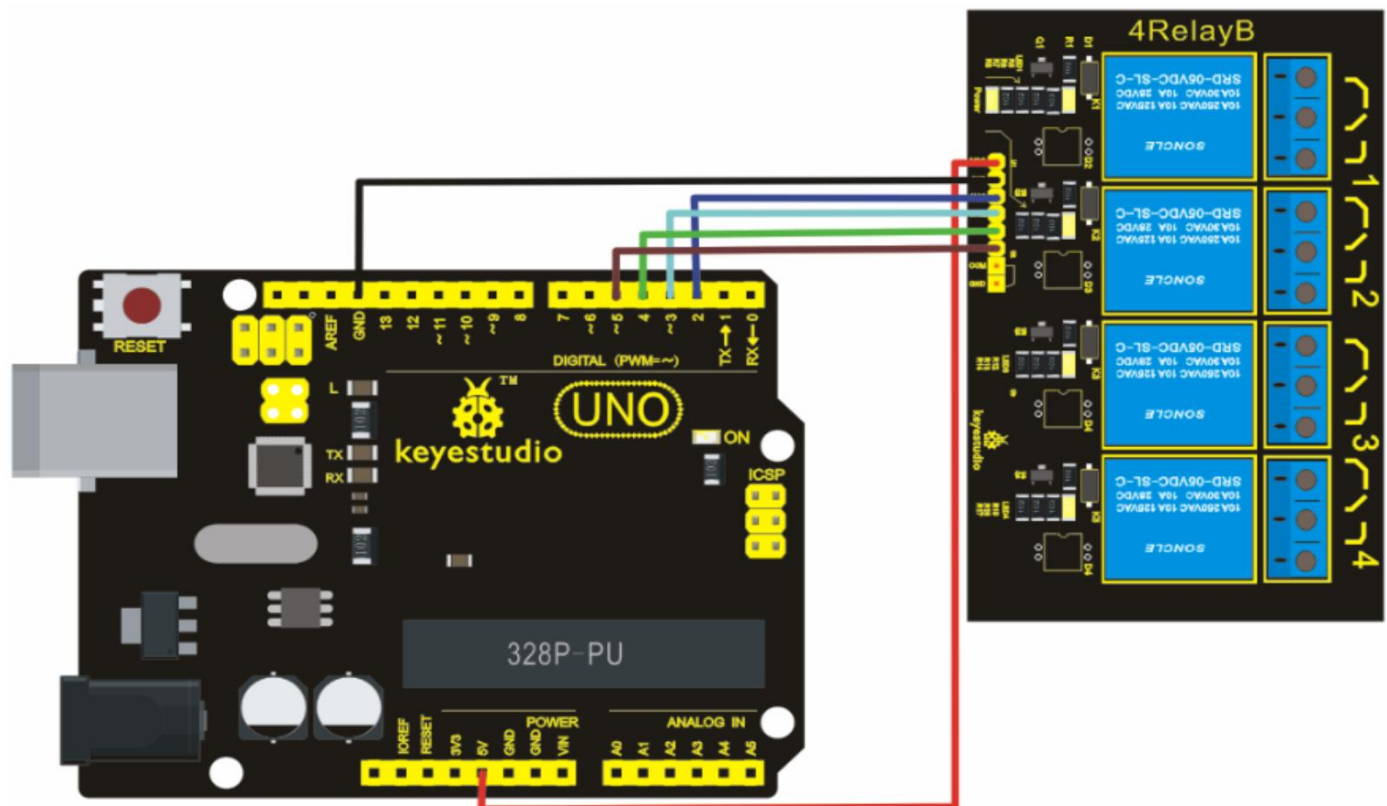
Rated Through-current: 10A(NO) 5A(NC)

Max Switching Voltage: 250VAC 30VDC

Contact actuation time: < 10ms

Definition of module pins:

- i) Pin 1 -Pin 8----Controlling end
- ii) Power supply (VCC)
- iii) Ground (GND)



Resources:

https://wiki.keyestudio.com/Ks0058_keyestudio_4-channel_Relay_Module