



## Ks0032 keyestudio RGB LED Module

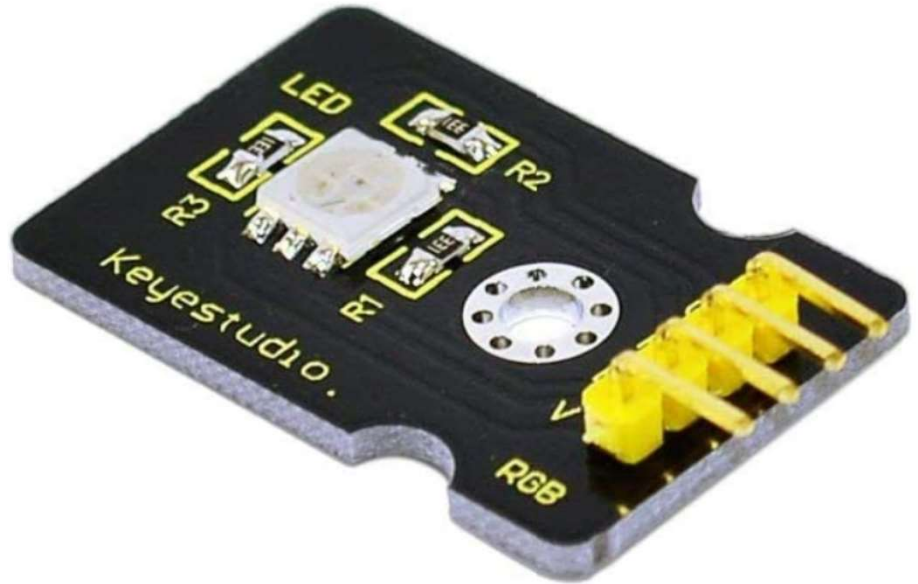
### Introduction:

This is a full-color LED module, which contains 3 basic colors — red, green and blue. They can be seen as separate LED lights.

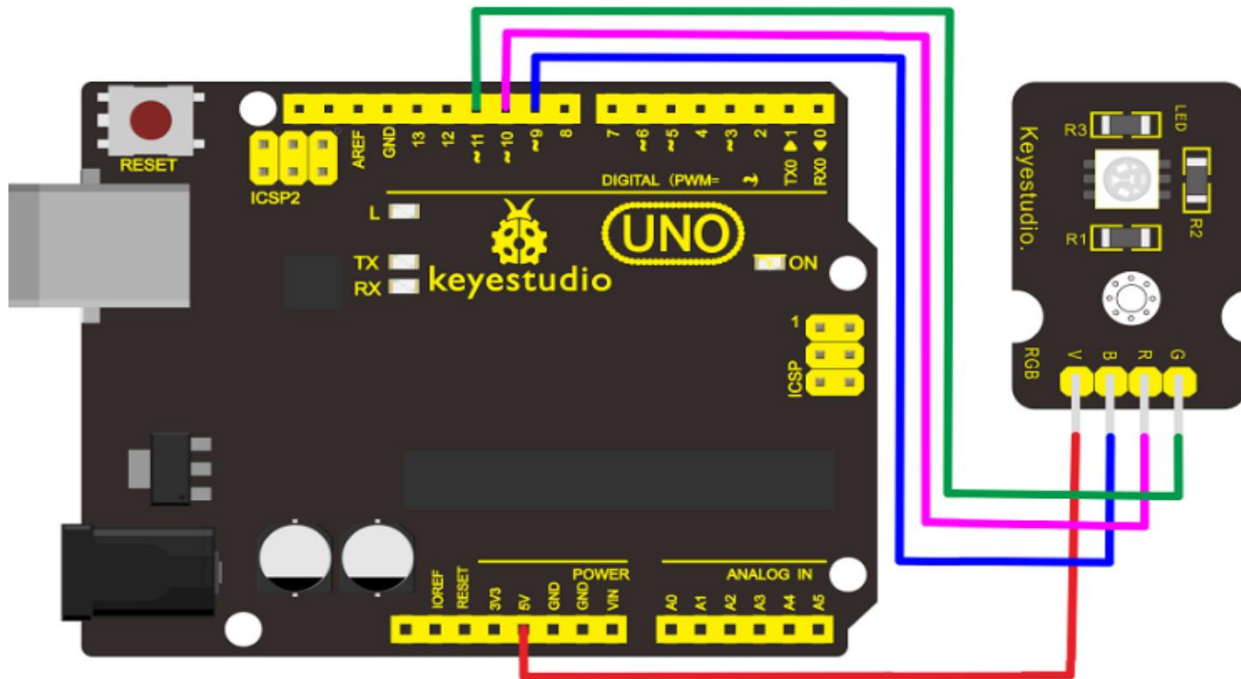
After programming, you can turn them on and off by sequence or can also use PWM analog output to mix three colors to generate different colors.

### Specification:

- Color: red, green and blue
- Brightness: High
- Voltage: 5V
- Input: digital level



### Connection Diagram:



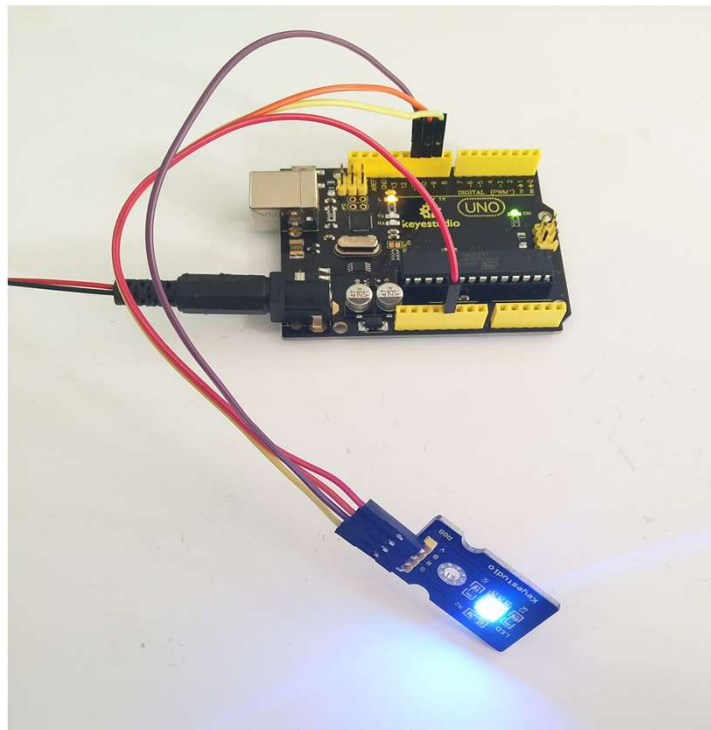


## Sample Code:

```
int redpin = 10; //select the pin for the red LED
int bluepin =9; // select the pin for the blue LED
int greenpin =11;// select the pin for the green LED
int val;
void setup() {
  pinMode(redpin, OUTPUT);
  pinMode(bluepin, OUTPUT);
  pinMode(greenpin, OUTPUT);
}
void loop()
{for(val=255; val>0; val--)
  {analogWrite(11, val);
  analogWrite(10, 255-val);
  analogWrite(9, 128-val);
  delay(1);
  }
for(val=0; val<255; val++)
  {analogWrite(11, val);
  analogWrite(10, 255-val);
  analogWrite(9, 128-val);
  delay(1);
  }
}
```

## Result:

Done uploading the code, you should see the RGB LED flashing with different colors.



## Resources:

[https://wiki.keyestudio.com/Ks0032\\_keyestudio\\_RGB\\_LED\\_Module](https://wiki.keyestudio.com/Ks0032_keyestudio_RGB_LED_Module)