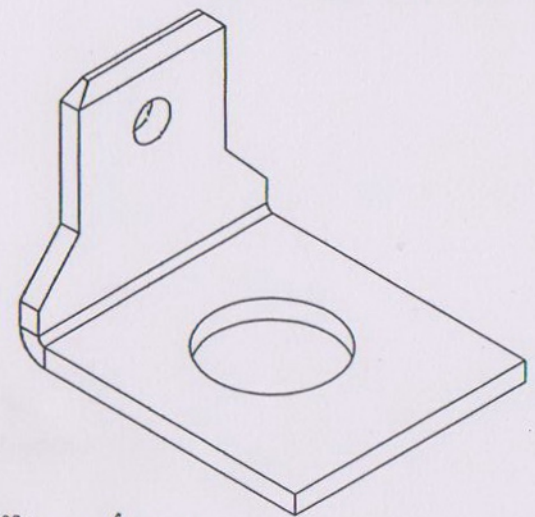
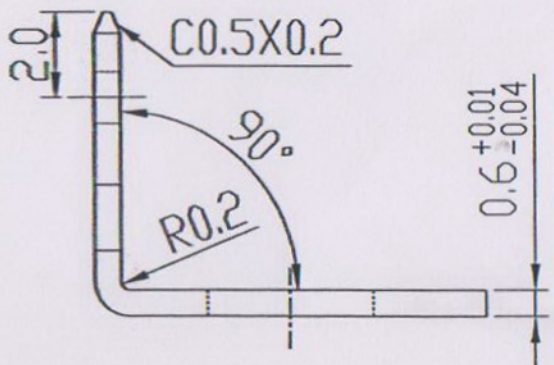
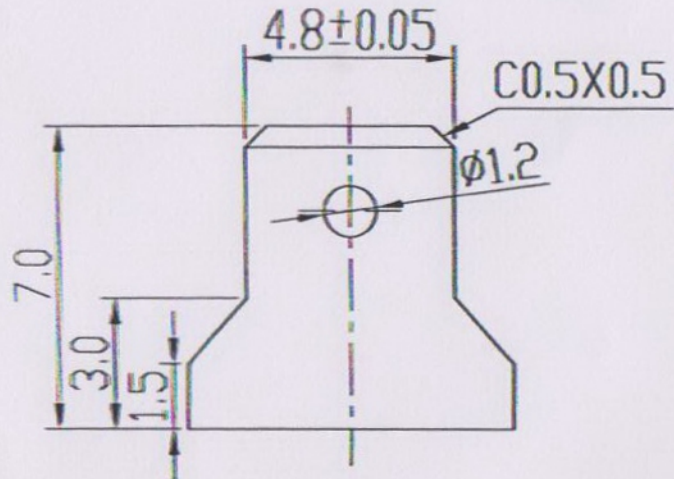


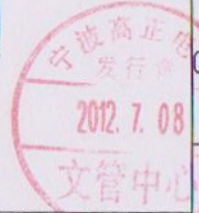
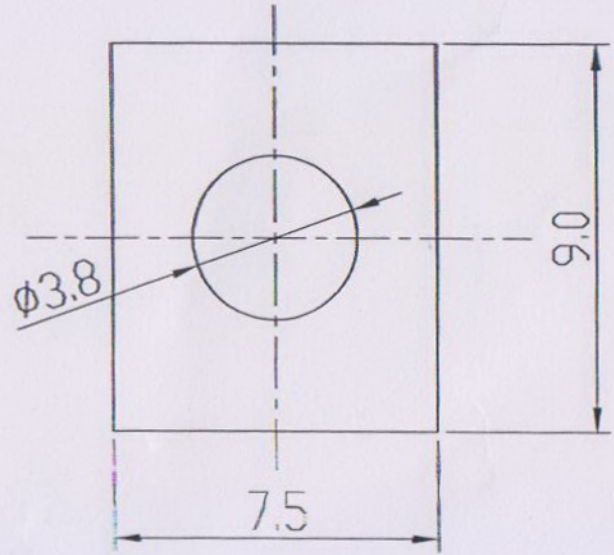
REVISION RECORD				
REV	ECD	DESCRIPTION	DRFT	DATE
▲		增加材质牌号, 修改电镀标准	YHG	10/15/09



Notes:

- Material: H62 H/2, T=0.6mm;
- Plating: Cu plated at the bottom is more than 2um; Ni plated on the surface is more than 2um; Sn plated at the bottom is more than 4um;
- Undimensioned Tolerances:

Pitch range in mm		Nominal dimension range in mm						
to	over	to	over	to	over			
6	10	24	30	60	100	150		
±0.10	±0.15	±0.25	±0.2	±0.3	±0.5	±0.7	±1.0	0.005/10



1	K4	C0410	H62	SnCe								
ITEM	NAME OF PART	NC. OF PART	Q*TY	MATERIAL	NOTES							
<table border="1"> <tr> <td>MM (INCH)</td> <td>DATE 11/11/08</td> </tr> <tr> <td>CHKD</td> <td>DATE 03/20</td> </tr> <tr> <td>MFD</td> <td>DATE</td> </tr> <tr> <td>APPLY</td> <td>DATE</td> </tr> </table>		MM (INCH)	DATE 11/11/08	CHKD	DATE 03/20	MFD	DATE	APPLY	DATE	DEGSON 宁波高正电子有限公司 DEGSON ELECTRONICS CO., LTD		
MM (INCH)	DATE 11/11/08											
CHKD	DATE 03/20											
MFD	DATE											
APPLY	DATE											
TOLERANCES EXCEPT AS NOTED: .00 ± .01 ± .02 ±		NAME: K4-00A (H)										
ANGLES = 1°		DRAWING NO: K4-E01										
THIRD ANGLE PROJECTION		SCALE: 1:1										
DETACHED LISTS		DC NOT SCALE DRAWING										
		SHEET 1 OF 1										