

PLEASE MAKE COMMENTS AND SIGN AFTER EVALUATION

RETURN THIS COPY TO US .THANK YOU!!!

**RoHS Compliance**

# 納入仕様書 SPECIFICATION

得意先

CUSTOMER: 萬保剛電子集團有限公司

パーツ ナンバー

CUSTOMER'S

PART/DWG NO.:

品 名

DESCRIPTION: K3 RH 10.00 x 14.00 x 6.00

發行ナンバー

ISSUED NO.: FP-RH-0915A

日期

DATE: 31,Dec.2010

	“✓”	得意先サイン CUSTOMER'S SIGNATURE	備 註 REMARK
承 認 FULL APPROVED			
條 件 承 認 CONDITIONAL APPROVED			
不 合 格 REJECTED			

## 耕 芯 股 份 有 限 公 司 FERRICO CORPORATION

總 公 司 :

台灣省桃園縣楊梅鎮中山北路二段192號4樓B室 郵政編號: 326  
4-B, NO.192, SEC.2, CHUNG-SHAN N. RD., YANG-MEI, TAO-YUAN, TAIWAN, POST CODE:326  
TEL: 886-3-4828308(REP.) FAX: 886-3-4828450

廣州廠 : 廣州耕芯電子有限公司 GUANGZHOU FERRICO ELECTRONICS CO., LTD.

中國廣東省廣州市番禺區欖核鎮人民村人民路2號 郵政編碼 : 511480  
NO. 2, REN-MIN ROAD REN-MIN VILLAGE, LAN HE TOWN, PAN-YU AREA, GUANG-ZHOU CITY, GUANG-DONG, CHINA.  
POST CODE : 511480  
TEL:86-20-34872650(REP.) FAX:86-20-34872653

昆山廠 : 耕芯電子( 昆山 )有限公司 FERRICO ELECTRONICS (KUN SHAN) CO., LTD.

中國江蘇省昆山千燈鎮善浦東路 郵政編碼 : 215341  
SHAN PU EAST ROAD QIAN DENG TOWN, KUN SHAN CITY, JIANG SU, CHINA  
POST CODE : 215341  
TEL:86-512-57469301(REP.) FAX:86-512-57469306  
E-mail:ferrico@ferrico.com

TW06-01

FERRICO CORPORATION

E-mail:ferrico@ferrico.com http://www.ferrico.com

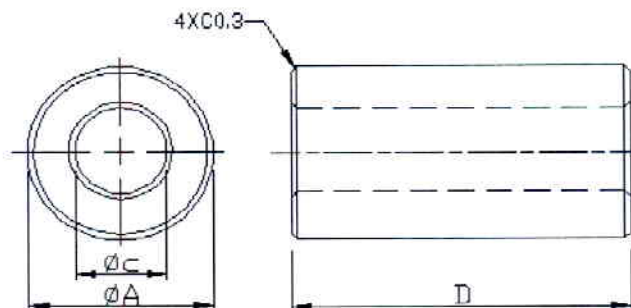
# SPECIFICATION FOR APPROVAL

得意先 CUSTOMER: 萬保剛電子集團有限公司

品名 ITEM: K3 RH 10.00 x 14.00 x 6.00

パーツ ナンバー  
CUSTOMER'S PART NO.:

1. 形状寸法 SHAPE AND DIMENSION (Unit: mm)



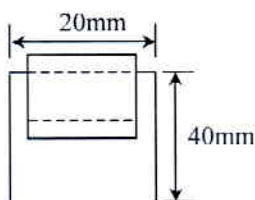
ΦA	10.0 ± 0.3	mm
ΦC	6.0 ± 0.3	mm
D	14.0 ± 0.3	mm

2. 電気特性 ELECTRICAL CHARACTERISTICS

Z<sub>1</sub> = 35 MIN. OHM AT 25 MHz ( 0.65Φ(2UEW) × 100 mm × 1 TURN )  
 Z<sub>2</sub> = 65 MIN. OHM AT 100 MHz ( 0.65Φ(2UEW) × 100 mm × 1 TURN )

3. 測定儀器&條件 TEST INSTRUMENTS AND CONDITION

- 3.1 IMPEDANCE ANALYZER:  HP4291B TEST FIXTURE:  HP16092A  
 3.2 LCR METER:  HP4284A TEST FIXTURE:  HP16047A  
 3.3 TEST CONDITION: 0.65Φ(2UEW) × 100 mm × 1 TURN  
 3.4 TEST SCHEMATIC:



4. 外觀 APPEARANCE

- 4.1 カケ CHIP / キズ SCRATCH  
 1点の場合の面積 ONE SPOT UNDER : 1.0 mm<sup>2</sup>以下  
 2点以上の場合の面積和 TWO SPOTS UNDER : 1.0 mm<sup>2</sup>以下  
 深さ DEEPNESS UNDER : 0.5 mm 以下
- 4.2 ヒビ CRACK  
 JIS-C-2569に基準とする ACCORDING TO JIS-C-2569

5. REVISE

DATE	REVISION
4	
3	
2	
1	

DRAWN DATE	 2010.12.31 李樂 (Lilè)	CHECKED DATE	 2010.12.31 黃金玲 (Huang Jinling)	APPROVED DATE	 2010.12.31 賴明桐 (Lai Mingtong)	ISSUE NO. : FP-RH-0915A
---------------	-----------------------------	-----------------	---------------------------------------	------------------	--------------------------------------	----------------------------

FERRICO CORPORATION

TW06-03

E-mail: ferrico@ferrico.com http://www.ferrico.com

# INSPECTION DATA

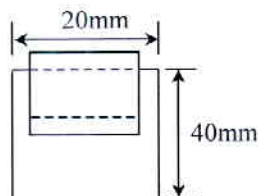
CUSTOMER	萬保剛電子集團有限公司			
PART NO.				
ITEM	K3 RH 10.00 x 14.00 x 6.00			
ISSUE NO.	FP-RH-0915A			
Q'TY	PCS	DATE	2010/12/31	
TEMP.	21.6 °C	R. H	55.0 %	
SAMPLE LOT NO.	T908022			

ELECTRICAL CHARACTERISTICS				DIMENSION (Unit: mm)			
SPEC	Z <sub>1</sub> (OHM)	Z <sub>2</sub> (OHM)		ΦA	ΦC	D	APP.
	35	65		10.0	6.0	14.0	
+				0.3	0.3	0.3	
-	0	0		0.3	0.3	0.3	
SU				10.30	6.30	14.30	
SL	35	65		9.70	5.70	13.70	
1	55.3	96.1		10.12	5.90	14.06	OK
2	55.7	96.7		10.12	5.91	14.07	OK
3	55.4	95.6		10.14	5.92	14.06	OK
4	55.5	94.7		10.12	5.89	14.06	OK
5	55.5	96.6		10.13	5.90	14.05	OK
6	55.1	95.4		10.14	5.90	14.06	OK
7	55.4	94.7		10.15	5.92	14.07	OK
8	54.9	94.9		10.13	5.91	14.08	OK
9	55.2	95.4		10.13	5.92	14.07	OK
10	55.5	95.7		10.15	5.93	14.09	OK
AVG	55.4	95.6		10.13	5.91	14.07	
S	0.232	0.719		0.012	0.012	0.012	

ENVIRONMENTAL CONTROL SUBSTANCES COMPLIANCE:    OK     NG

TEST INSTRUMENTS & CONDITION:

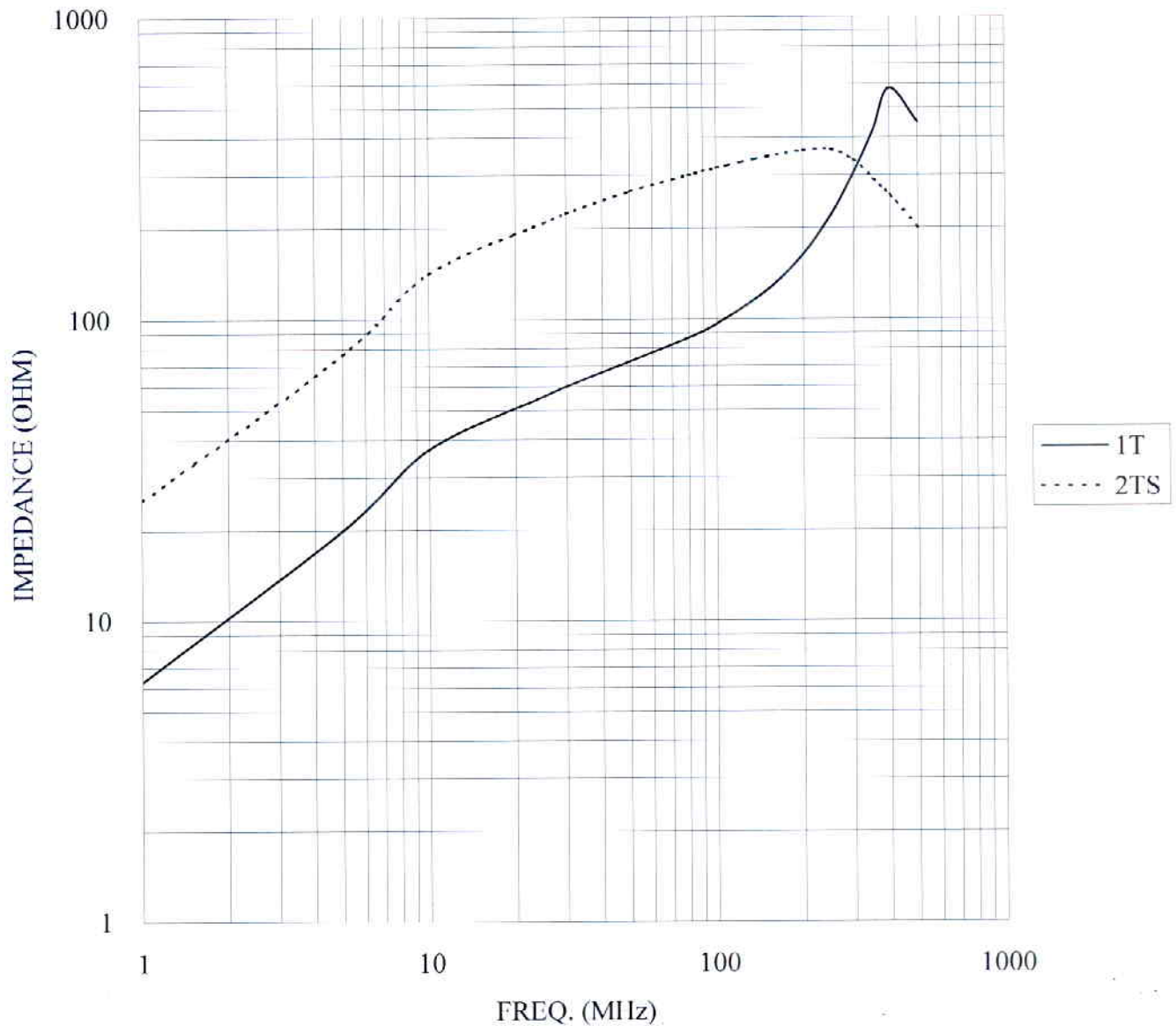
- (a) IMPEDANCE ANALYZER:     HP4291B    TEST FIXTURE:     HP16092A  
 TEST FREQ. :    Z<sub>1</sub> AT 25 MHz,    Z<sub>2</sub> AT 100 MHz,    Z<sub>3</sub> AT \_\_\_\_\_ MHz.
- (b) LCR METER:     HP4284A    TEST FIXTURE:     HP16047A  
 L AT \_\_\_\_\_ MHz,    \_\_\_\_\_ (V, mA);    Q AT \_\_\_\_\_ (KHz, MHz)
- (c) WINDING: 0.65Φ(2UEW) × 100 mm × 1 TURN
- (d) TEST SCHEMATIC:



INSPECTED	CHECKED	APPROVED

QP04-16C

ITEM: K3 RH 10.00 x 14.00 x 6.00  
Z-F RESPONSE



FREQ.(MHz)	1	5	10	25	30	50	80	100	150	200	250	300	350	400	500	
Z	1T	6.3	20.0	37.1	55.6	60.0	72.6	86.7	96.2	124.3	162.8	220.0	303.7	420.0	579.8	447.2
(OHM	2TS	25.1	76.4	141.1	208.4	223.8	264.6	299.6	316.2	344.3	361.2	364.0	336.6	290.8	256.1	200.4

TEST INSTRUMENTS AND CONDITION

- (a) IMPEDANCE ANALYZER: ■ HP4291B TEST FIXTURE: ■ HP16092A  
 (b) TEST CONDITION: 0.65Φ(2UEW) × 100 mm × 1 TURN, 0.65Φ(2UEW) · × 2 TURNS  
 (c) TEST DWG:

TW06-04

# The Ingredients List of Environment-related Substances

★Ingredients of parts constituted are reported as follow.

No.	ITEM	Customer's Part No	Portion	Component	Prohibited Substance use or not	Parts manufacturer name	Measurable Substance	MARK
							ICP test data Document No.	
1	K3 RH 10.00 x 14.00 x 6.00		CORE	Fe <sub>2</sub> O <sub>3</sub> · CuO · ZnO · MgO · MnCO <sub>3</sub>	<input type="checkbox"/> Yes <input checked="" type="checkbox"/> No	Ferrico	CANEC0906349801	Attachment 1

NOTE: We do not use the Prohibited Substance in our manufacture, but some kind of the heavy metal contain in material, Which content data show in the SGS test report.

**CUSTOMER :** 萬保剛電子集團有限公司  
 \_\_\_\_\_  
**COMPANY :** FERRICO CORPORATION  
 \_\_\_\_\_

**APPROVED BY:** \_\_\_\_\_  
**PREPARED BY:** \_\_\_\_\_

TW06-07

## Test Report

No. CANEC0906349801

Date: 08 Jan 2010

Page 1 of 4

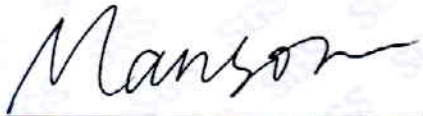
GUANG ZHOU FERRICO ELECTRONICS CO.,LTD  
NO.2,RENMIN RD.,RENMIN VILLAGE,LANHE TOWN,PANYU AREA,GUANGZHOU CITY,GUANGDONG  
CHINA

The following sample(s) was/were submitted and identified on behalf of the clients as :

K3 CORE

SGS Job No. : 12332875 - GZ  
Tested sample information : CORE LOT NO:P199122101AET, K3-91220-2-5C-3P  
SGS Internal Reference No. : 18.2  
Date of Sample Received : 31 Dec 2009  
Testing Period : 31 Dec 2009 - 08 Jan 2010  
Test Requested : Selected test(s) as requested by client.  
Test Method : Please refer to next page(s).  
Test Results : Please refer to next page(s).

Signed for and on behalf of  
SGS-CSTC Ltd.



Manson Yang  
Sr. Engineer

This document is issued by the Company subject to its General Conditions of Service printed overleaf, available on request or accessible at [http://www.sgs.com/terms\\_and\\_conditions.htm](http://www.sgs.com/terms_and_conditions.htm) and for electronic format documents, subject to Terms and Conditions for Electronic Documents at [www.sgs.com/terms\\_e-document.htm](http://www.sgs.com/terms_e-document.htm). Attention is drawn to the limitation of liability, indemnification and jurisdiction issues defined therein. Any holder of this document is advised that information contained herein reflects the Company's findings at the time of its intervention only and within the limits of Client's Instructions, if any. The Company's sole responsibility is to its Client and this document does not exonerate parties to a transaction from exercising all their rights and obligations under the transaction documents. This document cannot be reproduced except in full, without prior written approval of the Company. Any unauthorized alteration, forgery or falsification of the content or appearance of this document is unlawful and offenders may be prosecuted to the fullest extent of the law. Unless otherwise stated, the results shown in this test report refer only to the sample(s) tested.

GZCM 3918017

## Test Report

No. CANEC0906349801

Date: 08 Jan 2010

Page 2 of 4

### Test Results:

ID for specimen 1 : CAN09-063498.002  
 Description for specimen 1 : Dk-gray core

### Elementary Analysis

Test Item(s)	Unit	Test Method (Reference)	Result	MDL
Cadmium (Cd)	mg/kg	IEC 62321:2008, ICP-OES	N.D.	2
Lead (Pb)	mg/kg	IEC 62321:2008, ICP-OES	N.D.	2
Mercury (Hg)	mg/kg	IEC 62321:2008, ICP-OES	N.D.	2
Hexavalent Chromium (CrVI) by alkaline extraction	mg/kg	IEC 62321:2008, UV-Vis	N.D.	2

### Note:

1. mg/kg = ppm
2. N.D. = Not Detected (< MDL)
3. MDL = Method Detection Limit

Attention: To check the authenticity of testing / inspection report & certificate, pls. contact tel: (86-755)83071443 email: CN.Doccheck@sgs.com

This document is issued by the Company subject to its General Conditions of Service printed overleaf, available on request or accessible at [http://www.sgs.com/terms\\_and\\_conditions.htm](http://www.sgs.com/terms_and_conditions.htm) and for electronic format documents, subject to Terms and Conditions for Electronic Documents at [www.sgs.com/terms\\_e-document.htm](http://www.sgs.com/terms_e-document.htm). Attention is drawn to the limitation of liability, indemnification and jurisdiction issues defined therein. Any holder of this document is advised that information contained hereon reflects the Company's findings at the time of its intervention only and within the limits of Client's Instructions, if any. The Company's sole responsibility is to its Client and this document does not exonerate parties to a transaction from exercising all their rights and obligations under the transaction documents. This document cannot be reproduced except in full, without prior written approval of the Company. Any unauthorized alteration, forgery or falsification of the content or appearance of this document is unlawful and offenders may be prosecuted to the fullest extent of the law. Unless otherwise stated the results shown in this test report refer only to the sample(s) tested.



**GZCM 3918018**

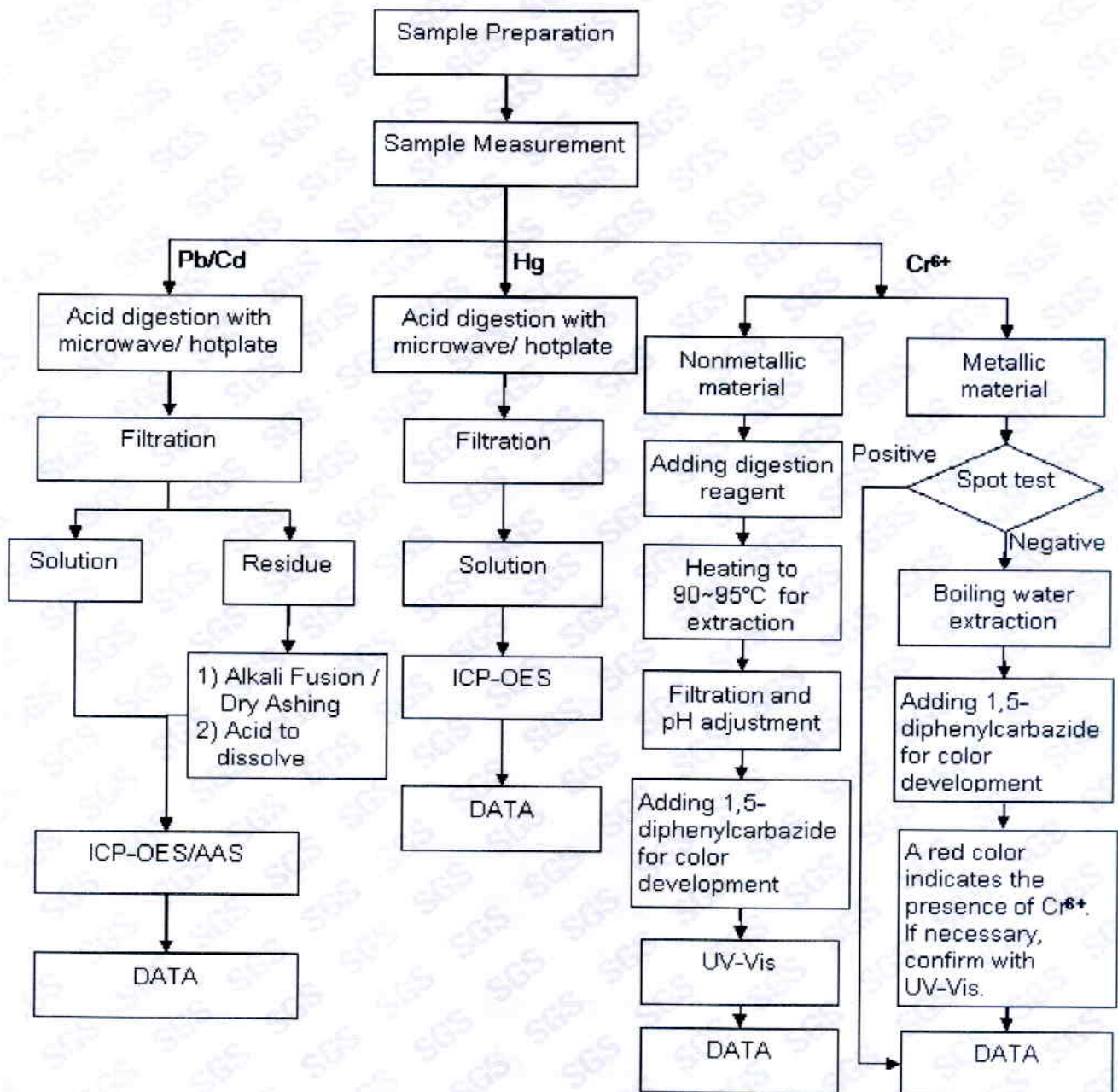
SGS-CTP Standards Technical Services Co., Ltd.  
 Guangzhou Economic & Technology Development District, Guangzhou, China

198 Kezhu Road, Scientech Park Guangzhou Economic & Technology Development District, Guangzhou, China 510663 t (86-20) 82155555 f (86-20) 82075113 www.cn.sgs.com  
 中国·广州·经济技术开发区科学城科珠路198号 邮编: 510663 t (86-20) 82155555 f (86-20) 82075113 e sgs.china@sgs.com

ATTACHMENTS

Testing Flow Chart

- 1) Name of the person who made measurement: Bella Wang
- 2) Name of the person in charge of measurement: Adams Yu
- 3) These samples were dissolved totally by pre-conditioning method according to below flow chart (Cr<sup>6+</sup> test method excluded).



Attention: To check the authenticity of testing / inspection report & certificate, pls. contact tel: (86-755) 83071443 email: CN.Doccheck@sgs.com

This document is issued by the Company subject to its General Conditions of Service printed overleaf, available on request or accessible at [http://www.sgs.com/terms\\_and\\_conditions.htm](http://www.sgs.com/terms_and_conditions.htm) and, for electronic format documents, subject to Terms and Conditions for Electronic Documents at [www.sgs.com/terms\\_e-document.htm](http://www.sgs.com/terms_e-document.htm). Attention is drawn to the limitation of liability, indemnification and jurisdiction issues defined therein. Any holder of this document is advised that information contained hereon reflects the Company's findings at the time of its intervention only and within the limits of Client's instructions, if any. The Company's sole responsibility is to its Client and this document does not exonerate parties to a transaction from exercising all their rights and obligations under the transaction documents. This document cannot be reproduced except in full, without prior written approval of the Company. Any unauthorized alteration, forgery or falsification of the content or appearance of this document is unlawful and offenders may be prosecuted to the fullest extent of the law. Mess or mis-stated the results shown in this test report refer only to the sample(s) tested.





## Test Report

No. CANEC0906349801

Date: 08 Jan 2010

Page 4 of 4

Sample photo:



SGS authenticate the photo on original report only

\*\*\* End of Report \*\*\*

Attention: To check the authenticity of testing / inspection report & certificate, pls. contact tel: (86-755)83971443 email: CN.Doccheck@sgs.com

This document is issued by the Company subject to its General Conditions of Service printed overleaf, available on request or accessible at [http://www.sgs.com/terms\\_and\\_conditions.htm](http://www.sgs.com/terms_and_conditions.htm) and for electronic formal documents, subject to Terms and Conditions for Electronic Documents at [www.sgs.com/terms\\_e-document.htm](http://www.sgs.com/terms_e-document.htm). Attention is drawn to the limitation of liability, indemnification and jurisdiction issues defined therein. Any holder of this document is advised that information contained hereon reflects the Company's findings at the time of its intervention only and within the limits of Client's instructions, if any. The Company's sole responsibility is to its Client and this document does not exonerate parties to a transaction from exercising all their rights and obligations under the transaction documents. This document cannot be reproduced except in full, without prior written approval of the Company. Any unauthorized alteration, forgery or falsification of the content or appearance of this document is unlawful and offenders may be prosecuted to the fullest extent of the law. Unless otherwise indicated the results shown in this test report refer only to the sample(s) tested.