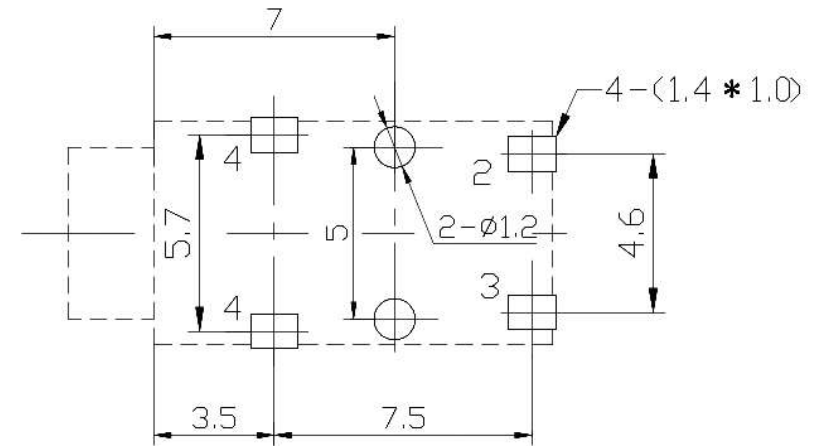
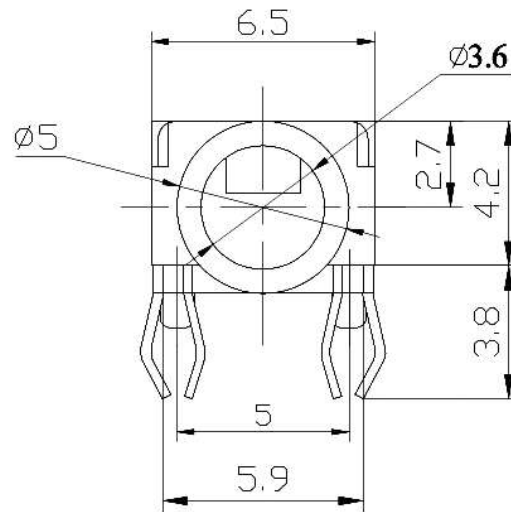
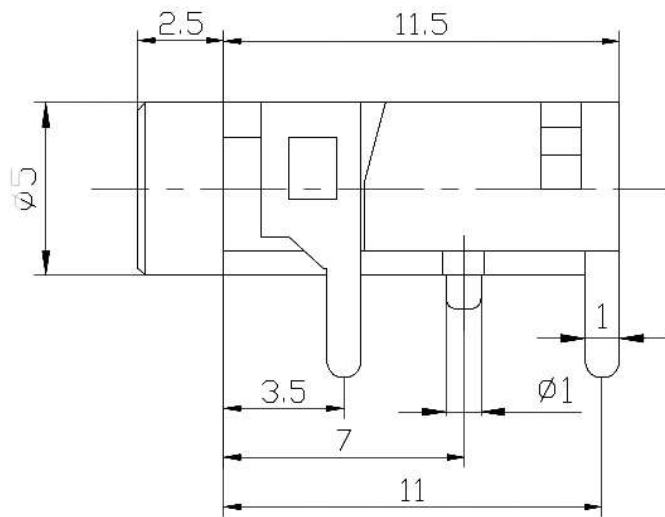


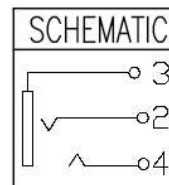
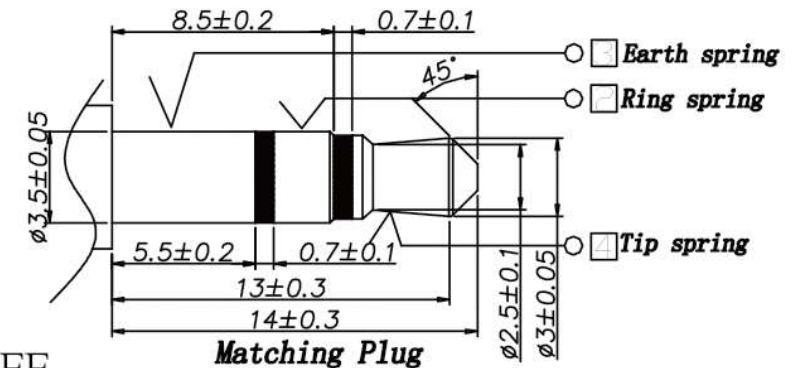
* REVISIONS				
LTR	DESCRIPTION	DATE	REVISED	APPROVED



T:1.6 Dimensions of PC board holes
Tolerance : ±0.1(Printed-sided view)

Notes:

- Electrical Characteristics:
 - Rating : DC 30V 0.5 A ;
 - Contact Resistance: 30mΩ Max.(Initial),
Between plug and contact 100mΩ Max;
(Final) After Life test: ≤60mΩ ;
 - Dielectric Withstanding Voltage: 500V AC for One Minute ;
 - Insulation Resistance: 100MΩ Min. Measured By 500 VDC;
- Mechanical Characteristics:
 - Plug Insertion Force 0.3~3.0Kgf (initial),
0.3~3.0Kgf (Final) life test;
 - Plug Extraction Force: 0.3~3.0Kgf (initial),
0.3~3.0Kgf (Final) life test;
- Durability Test: 5,000 Cycles min;
- Operating temperature:-25°C ~ +70°C;
- Soldering Heat Resistance Wave Soldering 230°C;
- Plug Interface Dimensions Conform To EIAJ RC-5325A Spec;
- Packaging: Plastic Bag;



LEAD FREE

LTR	PART NAME	QTY	MATERIAL	REMARK
4	HOUSING	1	PBT	UL-94V0(BLACK)
3	3# CONTACT FOOT	1	COPPER ALLOY t=0.30	MB:Ni Ag PLATED
2	2# CONTACT FOOT	1	COPPER ALLOY t=0.30	MB:Ni Ag PLATED
1	1# CONTACT FOOT	1	COPPER ALLOY t=0.30	MB:Ni Ag PLATED

-TOLERANCES- UNLESS OTHERWISE SPECIFIED 公差	
X.X ±0.30	X.X' ±3'
X.XX ±0.25	X.XX' ±1'
X.XXX ±0.20	

LTR	PART NAME	DATE	QTY	MATERIAL	REMARK
DWN	ANJOU	2009.05.18			3RD ANGLE PROJECTION NAME MINIATURE JACK CAT. NO. DWN.NO.
CHKD	ANJOU	2009.05.18			
APVD	GIEVEN	2009.05.18		UNIT: mm	
K3618					001