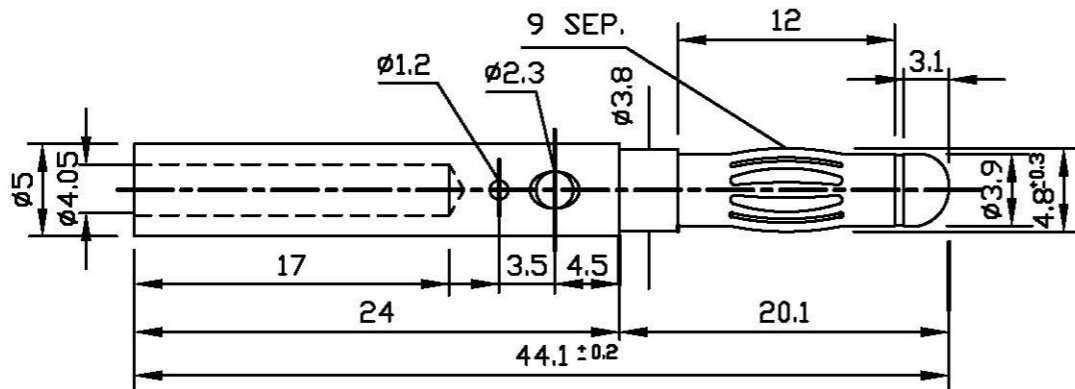
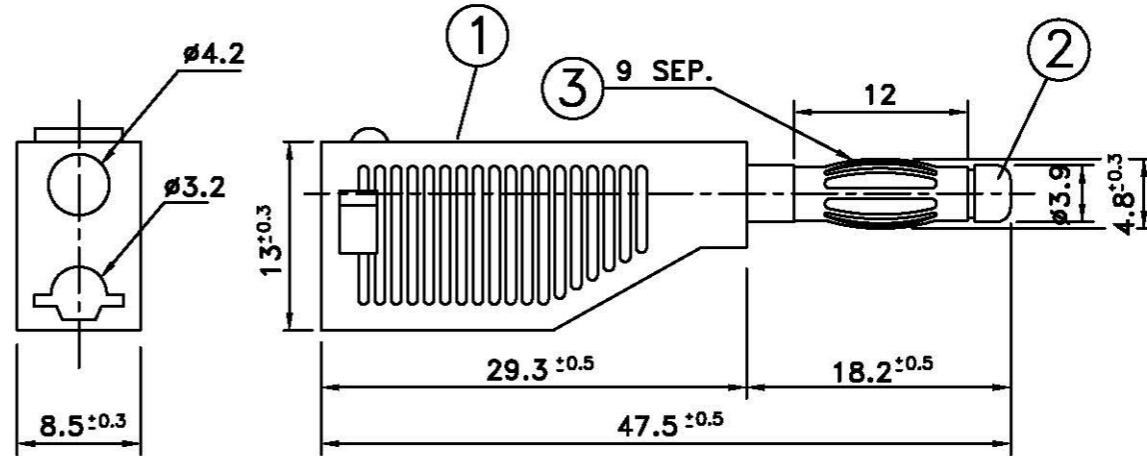


**UNLESS OTHERWISE SPECIFIED
GENERAL TOLERANCES**
 0.5~6 = ±0.2
 >6~30 = ±0.4
 >30~120 = ±0.6



SPECIFICATION
 RATING: 30A
 INSULATION RESISTANCE: DC 500V 100M ohm Min.
 DIELECTRIC STRENGTH: AC 1500V 1 minute
 OPERATION TEMPERATURE: -20°C~80°C
 COLOR: RED,BLACK

② DETAIL

3	LAMELLA	1	BERYLLIUM	
2	SHAFT	1	BRASS	
1	HOUSING	1	N66	
NO.	DESCRIPTION	QTY	MATERIAL	REMARK

DRAW BY	CHUN	031319	SCALE	2 : 1	PROJ		ITEM NO.	K296100
DEGN BY	YANG		UNIT	MM			TITLE	BANANA PLUGS
APPD BY	RAY						DWG NO.	

DATE	DRAWG BY	REVISED	△
------	----------	---------	---