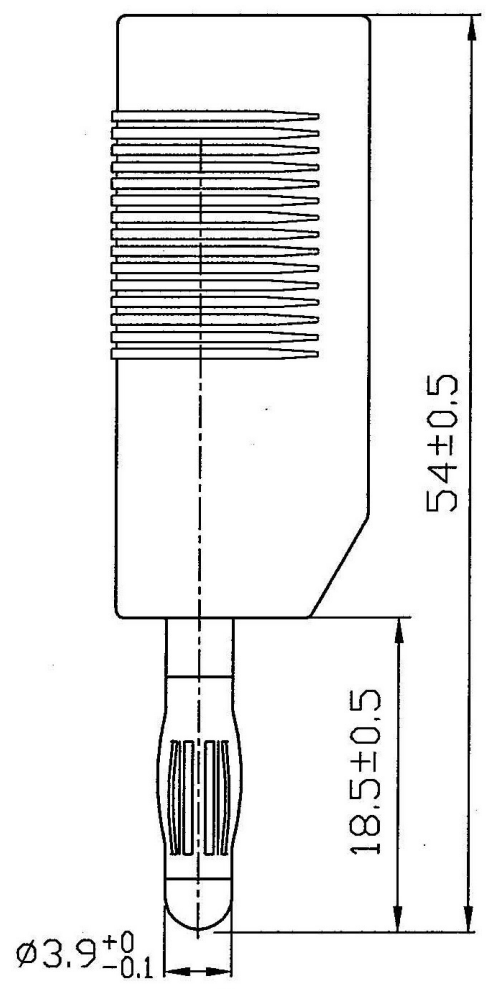
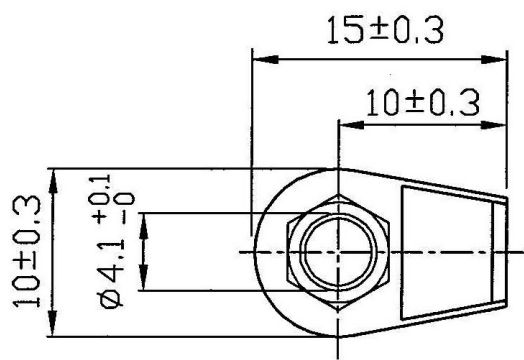


Rating	10A
Insulation R	DC 500V 100M ohm Min.
Dielectric Strength	AC 1500V 1 minute



△	Date	Name	Descriptions		
Drawing	Check	Approval	SCI No.		Model Name
張曉斌			Customer No.		Model No. K296098