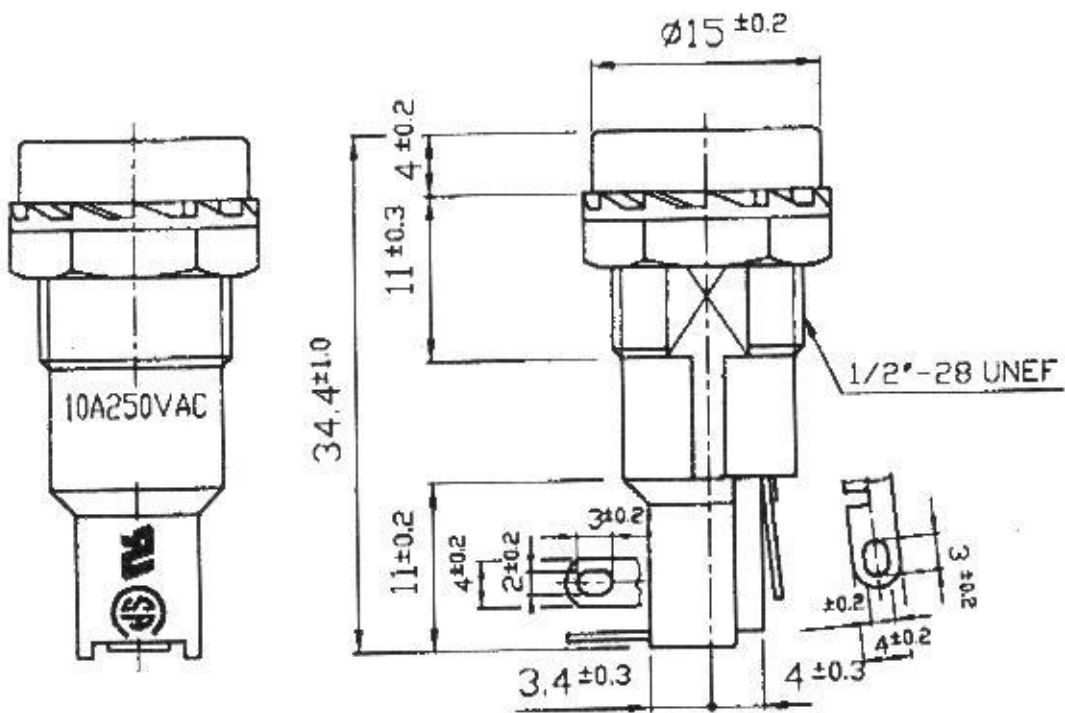


Rating	10A 250V AC	Mount Hole	Circuit Structure
Insulation R	DC 500V 100M ohm Min.		
Dielectric Strength	AC 1500V 1 minute		
Fuse size	$\phi 5.2 \times 20L$ m/m		



No	Description	Q'ty	Material	Spec	Finish	Remark	
Spec-No.	K2261			No.	Note	Date	Name
Date							
Drawing	Check	Approval					
鄭貴美	石川少	[Signature]					
	Oct-20-95						