



LAST ONE



Name :	HY—Capacitor series for Lighting	Model :	HY23 -HY24 - HY25
Description	Technical characteristics		
Rated voltage	250V~50/60Hz		
	280V~50Hz		
Working temperature	:-25+85 %		
Dissipation factor	:tan δ ≤ 20 10-4@		
	20 % V=Vn,50Hz		
Discharge resistor	:on request		
Test voltage	:Between terminals		
	:2,15 Un for 2 secretary		
Between terminal and case	:2 kV for 60 sec (type test)		
Reference standards	:EN 61048		
	type B - EN 61049		
Protection	:Case in self.extinguishing		
	plastic material		
Terminals	:Unipolar leads insulated in		
	PVC		
Mounting devices	:M8 stud,clamp,captive feet		
Capacitance tolerance	:±5%-±10%		

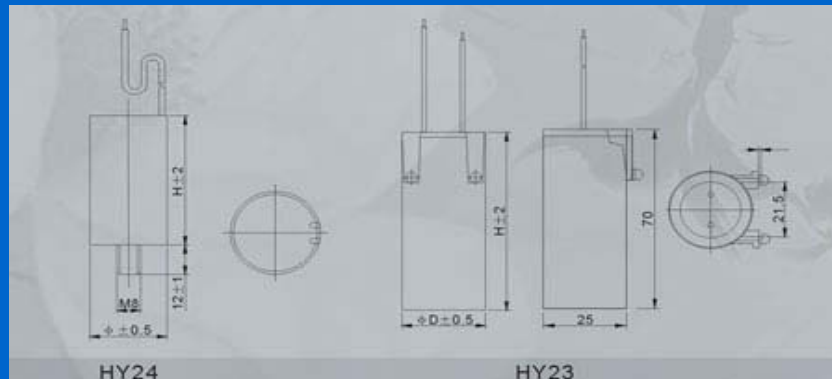
Different tolerance values are available on request

Descriptive information

Capacitors of this series are particularly suitable for parallel compensation of discharge lamps.

Dielectric consists of self-healing polypropylene film,case and cover are made of selfextinguishing.

Products Overall Dimension



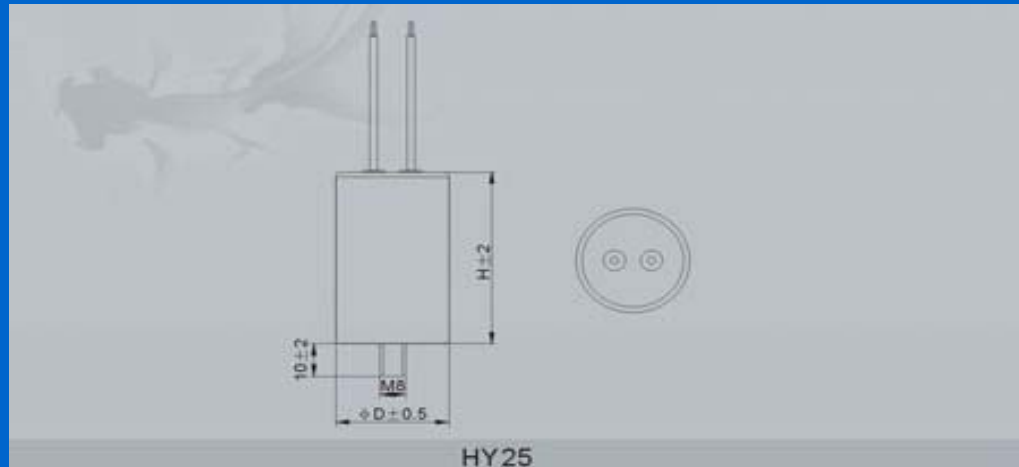
Dimensions(mm)



LAST ONE

voltage (VAC)	Capacitance μ f	D×H (mm)
250~280	3 μ F	34×68
	3.5 μ F	34×68
	4 μ F	34×65
	4.5 μ F	34×68
	5 μ F	34×68
	6 μ F	34×68
	8 μ F	34×68
	10 μ F	34×68
	12 μ F	34×68
	15 μ F	34×68
	16 μ F	34×68
	18 μ F	38×70
	20 μ F	38×70
	21 μ F	38×70
	22 μ F	38×70
	25 μ F	38×70
	30 μ F	45×92
	31.5 μ F	45×92
	35 μ F	45×92
	36 μ F	45×92
	40 μ F	45×92
	45 μ F	50×100
	47 μ F	50×100
	50 μ F	50×117
	55 μ F	50×117
	60 μ F	50×117
	65 μ F	50×117

Products Overall Dimension



Dimensions(mm)