

GL5537-2(40-50 K Ω)

Schematic Drawing



Performances and Features

Coated with epoxy

Small volume

Quick response

Good reliability

High sensitivity

Good spectrum characteristic

Typical Applications

Camera automation photometry

Indoor sunlight control

Industrial control

Optical control lamp

Photoelectric control

Annunciator

Optical control switch

Electronic toy

Standard Type and Specifications

Specification	Type	Maximum Voltage	Maximum power	Environmental temperature	Spectrum peak value
	GL5537-2	150	100	-30~+70	540

Specification	Light resistance (10Lux) (K Ω)	Dark resistance (M Ω)	γ_{10}^{100}	Response time (ms)		Illuminance resistance characteristic
				Increase	Decrease	
Φ 5 series	40-50	3-7M	0.6	20	30	4

Testing Conditions

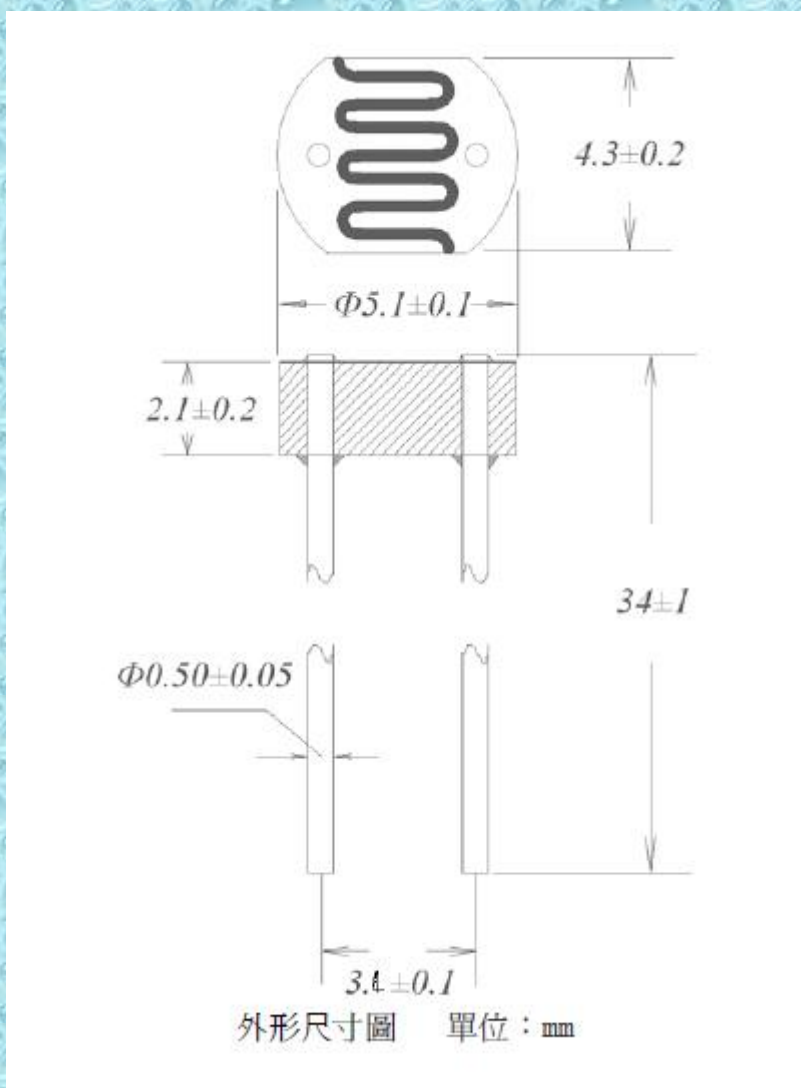
Max external voltage: Maximum voltage to be continuously given to component in the dark.

Max power consumption: Maximum power at the environmental temperature 25°C.

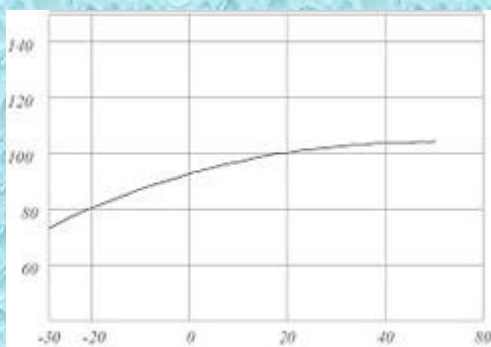
Light resistance Irradiate by 400-600Lux light for two hours, then test with 10Lux under standard light source A(as colour temperature 2856K)

Dark resistance Refer to the resistance value ten seconds after the 10Lux light is shut up.

Main Characteristics Curve and Dimensions



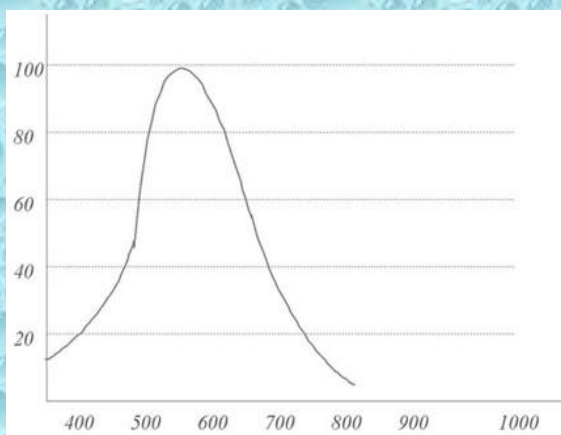
Relative Resistance (%)



Temperature (°C)

Temperature-Property

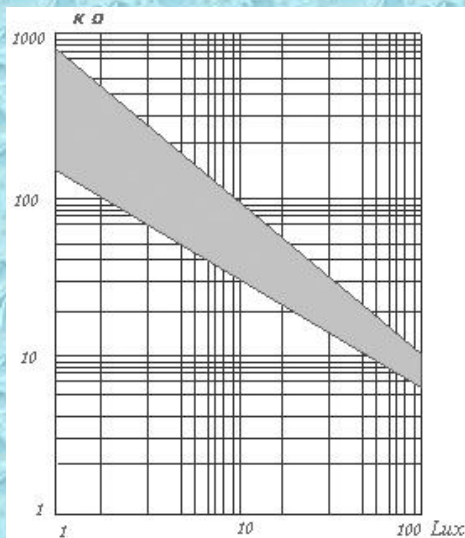
Relative Response (%)



Wavelength λ (nm)

Spectrum Response Characteristic

Illuminance-Resistance Characteristics Curve



Illuminance –Resistance Curve

Packaging and Notice

This product is packed with the environmental protection material, Small package have 100PCS, and big package have 1000PCS.

Avoid storing CdS in wet or high temperature environment.

Soldering time is as short as possible.

It is recommended that the welding length of the CdS's down-lead should not be less than 4mm.



SENBA SENSING TECHNOLOGY CO., LTD

Add : 2nd Floor, No.4 Building, Huawan Industry Zone, Gushu, Xixiang Street ,
Bao'an Dist., ShenZhen City China

Website: www.nysenba.com

E-mail : lily@sbcds.com.cn

Tel : 86-755-82591842

Fax : 86-755-82594762