



# Air moving solutions made simple



AC Fans  
DC Fans



AC Blowers  
DC Blowers



AC Impellers  
DC Impellers



AC Motors



Accessories

## Search

- Part/Model #
- Stock Check
- Cross-Reference
- Keyword

## More Products

- Heat Sinks
- Fan Accessories

## Engineering Tools

- Airflow Calculator
- Thermal Calculator
- Unit Conversions
- Application Notes

## Custom Solutions

## Company Info

- Contact Info
- Technical Capability
- Certifications
- Terms & Conditions
- Employment Ops

## Gateway Online

Phone: 858.348.6200 FAX: 858.566.4577

[Distributors](#)

[Find a Rep](#)

[Contact Us](#)

**Flight II 80-FE12B3-E2-039230- No**  
 (Family) (Model) (Part #) (In Stock)

## Electrical Specifications

<b>Operating Voltage:</b>	<b>12 Volts</b>
<b>Voltage Range:</b>	<b>6 - 14 Volts</b>
<b>Power Supply:</b>	<b>2.0 Watts</b>
<b>Line Current:</b>	<b>0.17 Amps</b>
<b>Locked Rotor Current</b>	<b>0.57 Amps</b>
<b>Nominal Speed:</b>	<b>3574 RPM</b>

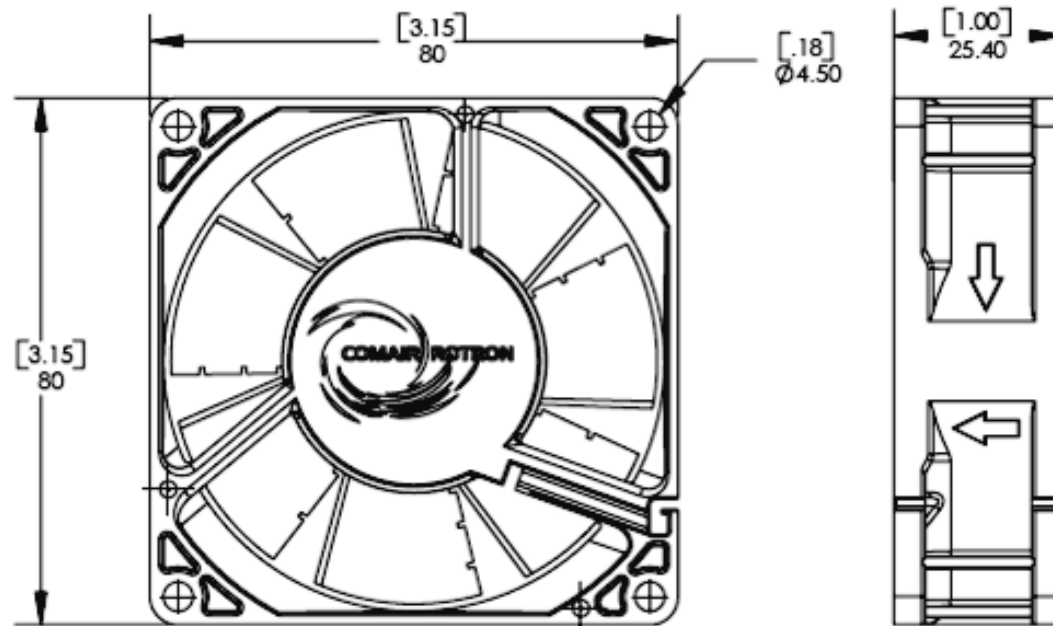
## Mechanical Specifications

<b>Dimensions:</b>	<b>3.1 x 3.1 x 1.0 in</b>
<b>Weight</b>	<b>4.6 oz</b>
<b>Max Airflow @ 0 in H<sub>2</sub>O</b>	<b>37.0 CFM</b>
<b>Max Pressure @ 0 CFM</b>	<b>0.233 in H<sub>2</sub>O</b>
<b>Noise</b>	<b>36.2 dBA</b>



[Detailed Drawing](#) [Printer-Friendly Datasheet](#)

## Mechanical Drawing



## Fan Performance Curve

## Fan Configuration Options

**Flight II 80** - **FE12B3-E2** - **039230** - **No**  
 (Family) (Model) (Part #) (In Stock)

Fan Speed Options	Fan Bearing Options	Fan Airflow Direction Options	Fan Termination Options
High Speed (4100 RPM)	Ball Bearings	Flow L (CW Rotation)	Leads
Full Speed (3574 RPM)	Sleeve Bearings	Flow R (CCW Rotation)	Terminals
3/4 Speed (2737 RPM)			

## Fan Monitoring Options

**No Fan Monitoring Options Required**

**Add Tachometer (2 pulses per revolution.)**

**Add Fan Performance Sensor (FPS)**

## Fan Speed Control Options

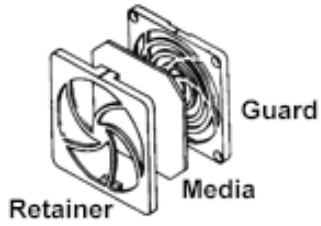
## Add ThermaPro-V Fan Speed Control

### Environmental Protection Options

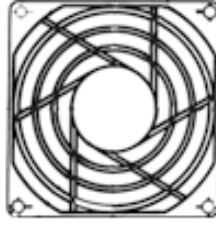
#### Add Enviroshield Environmental Protection

### Accessories [\(Click on part number for detailed drawing.\)](#)

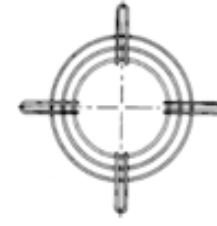
**554141**  
Filter Guard Assembly



**550648**  
Finger Guard



**476143**  
Finger Guard



**Comair Rotron, Inc.**

Phone: 858.348.6200

FAX: 858.566.4577

[sales@comairrotron.com](mailto:sales@comairrotron.com)

**ThermaFlo, Inc.**

Phone: 972.312.8609

FAX: 972.312.8617

[info@thermaflo.com](mailto:info@thermaflo.com)

**Comair Rotron Europe, Ltd.**

Phone: +44.1527.520525

FAX: +44.1527.520565

[saleseurope@comairrotron.com](mailto:saleseurope@comairrotron.com)

**Comair Rotron Fan Company Ltd.**

Phone: +86.21.52260581

FAX: +86.21.52260597

[salesasia@comairrotron.com](mailto:salesasia@comairrotron.com)