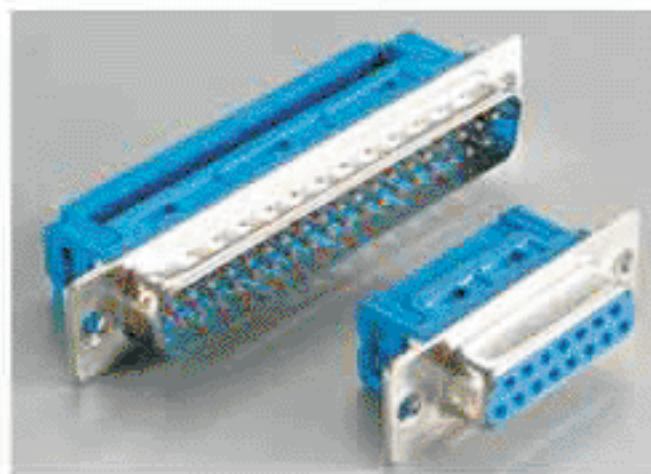


D-SUB IDC TYPE WITH METAL SHELL THIN FLANGE

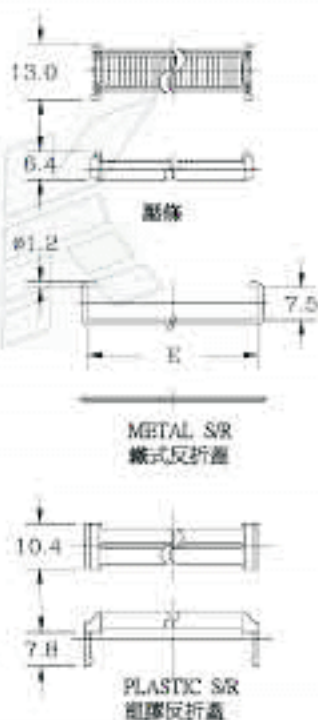
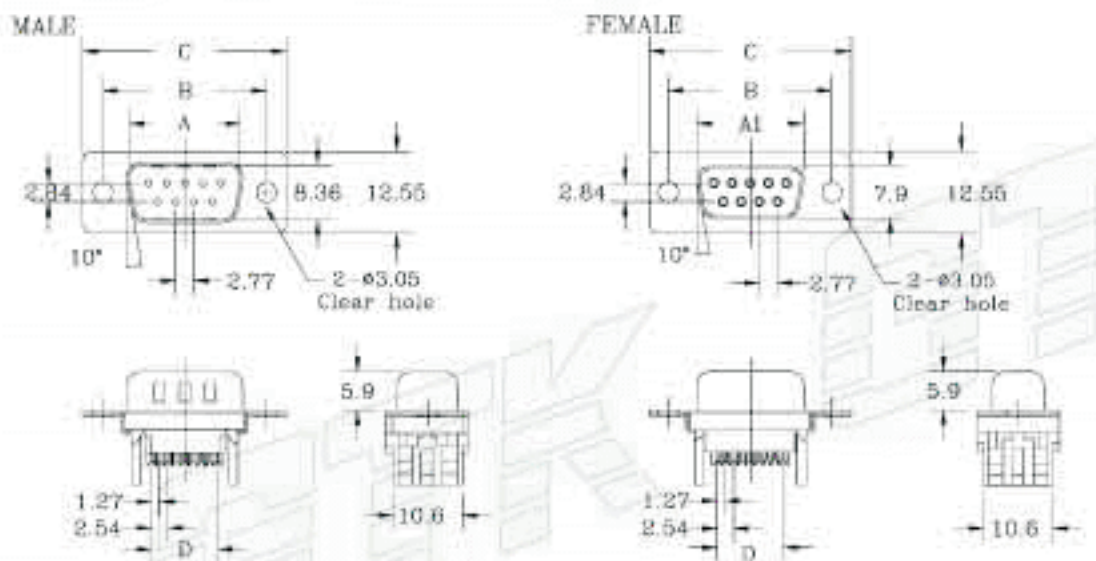


SPECIFICATIONS

- *Contact Resistance : 30mΩ max. at DC 100mA
- *Insulator Resistance : 1000MΩ min. at DC 500V
- *Current Rating: 1 AMP

DIELECTRIC WITHSTANDING :

- *Voltage : AC 500V For 1 minute
- *Operating Temperature : -55°C~+105°C
- *Contact : MALE - Brass
FEMALE - Phosphor Bronze
- *Housing : PBT & 30% Glass Fiber (UL 94V-0)
- *Single Contact Insertion Force : 500g max
- *Single Contact Withdrawal Force : 30g min



Position	A	B	C	D	E	AI	Position	A	B	C	D	E	AI
*9	18.92	24.99	31.16	10.18	16.40	16.33	25	38.96	47.04	53.34	30.48	38.80	38.38
15	25.50	33.32	39.42	17.78	24.40	24.06	37	55.45	63.50	69.68	45.72	55.00	54.84

UNIT : mm

Ordering Information

FD	B	25	S	M	1	M
1	2	3	4	5	6	7

1.SERIES NO (產品系列):
FD = D-SUB IDC TYPE

2.SHELL SIZE (外殼尺寸)
E = 09, A=15, B=25, C=37

3.NO. OF CONTACT (端子數):
09, 15, 25, 37

4.CONTACT TYPE (連接器類別):
S = FEMALE (母座)
P = MALE (公座)

5.OPTION ON SHELL (前殼類別)
M = METAL SHELL (鐵殼)

6.OPTION OF FLANGE (側耳選項)
1 = THIN FLANGE METAL ONLY (薄耳;鐵殼)

7.OPTION OF S/R (反折蓋選項)
M = METAL S/R (鐵式反折蓋)
P = PLASTIC S/R (塑膠反折蓋)