

PC BOARD CONNECTORS

700 SERIES

■ FEATURES

The 700 series connector has a superior ejector with a unique flexible latch. Terminals are palladium plated and have an excellent cost performance ratio. The solder dip section is a 0.5 mm (0.020 in.) square and can be used in a ϕ 0.8 mm (0.031 in.) through hole. Special strain relief prevents breakage. Two kinds of keys and bump polarization prevent incorrect insertion. Connectors with 4 mm (0.157 in.) long tails are also available for mounting on multilayer PC boards.

■ SPECIFICATIONS

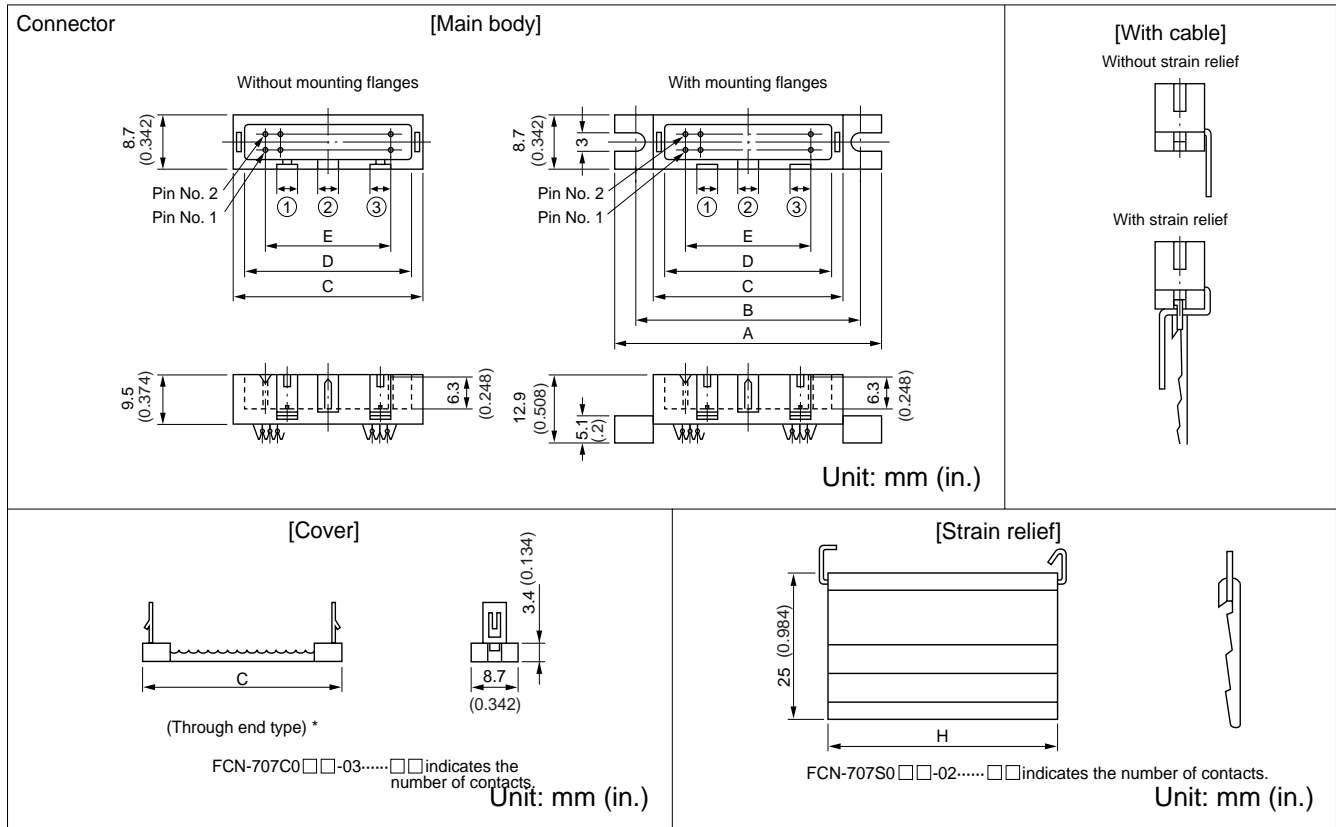
Item	Specification
Operating temperature range	-55°C to +105°C
Current rating	DC 1 A
Voltage rating	AC 250 V
Contact resistance	120 m Ω max. (DC 6 V, 0.1 A)
Insulation resistance	1000 M Ω min. (DC 500 V)
Dielectric strength	AC 500 V for 1 minute
Insertion force	3.5 kg max. (10 pins), 21 kg max. (60 pins)
Withdrawal force	0.25 kg min. (10 pins), 2.5 kg min. (60 pins)
Applicable wire	Flat cable: 1.27 mm (0.050 in.) pitch AWG #28 (stranded wires) or AWG #30 (solid wire)
Applicable wire-wrapping wire	AWG #26 to #30 (solid wire)
Applicable PC board (standard)	1.6 mm (0.062 in.) for standard terminal, 3.2 mm (0.125 in.) for long tail



■ MATERIALS

Item	Materials	
Insulating material	Polyester (UL94V-0)	
Conductor	Copper alloy	
Plating	Contact	Gold
	Terminal	Palladium

IDC HEADER ■ DIMENSIONS



*: The end type is also available (for 50-pin type only).

Note: No slits of (1) and (2) on 10-pin P type; no slits of (1) and (3) on F type; no slit of (1) on 14-pin type; all three slits on other types.

■ PART NUMBERS AND DIMENSIONS

Number of contacts	Mounting flanges	Without strain relief	With strain relief	Dimensions (unit: mm (in.))					
				A	B	C	D	E	H
10	Without	FCN-707 □ 010-AU/1	FCN-707 □ 010-AU/6	38.10 (1.50)	30.48 (1.20)	22.86 (.900)	18.03 (.710)	10.16 (.400)	19.7 (.776)
	With	FCN-707 □ 010-AU/2	FCN-707 □ 010-AU/7						
14	Without	FCN-707P014-AU/1	FCN-707P014-AU/6	43.18 (1.70)	35.56 (1.40)	27.94 (1.10)	23.11 (.970)	15.24 (.600)	24.8 (.976)
	With	FCN-707P014-AU/2	FCN-707P014-AU/7						
16	Without	FCN-707P016-AU/1	FCN-707P016-AU/6	45.72 (1.80)	38.10 (1.50)	30.48 (1.40)	25.65 (1.01)	17.78 (.700)	27.4 (1.08)
	With	FCN-707P016-AU/2	FCN-707P016-AU/7						
20	Without	FCN-707P020-AU/1	FCN-707P020-AU/6	50.80 (2.00)	43.18 (1.70)	35.56 (1.40)	30.73 (1.21)	22.86 (.900)	32.4 (1.28)
	With	FCN-707P020-AU/2	FCN-707P020-AU/7						
26	Without	FCN-707P026-AU/1	FCN-707P026-AU/6	58.42 (2.30)	50.80 (2.00)	43.18 (1.70)	38.35 (1.51)	30.48 (1.20)	40.1 (1.58)
	With	FCN-707P026-AU/2	FCN-707P026-AU/7						
30	Without	FCN-707P030-AU/1	FCN-707P030-AU/6	63.50 (2.50)	55.88 (2.20)	48.26 (1.90)	43.43 (1.71)	35.56 (1.40)	45.1 (1.78)
	With	FCN-707P030-AU/2	FCN-707P030-AU/7						
34	Without	FCN-707P034-AU/1	FCN-707P034-AU/6	68.58 (2.70)	60.96 (2.40)	53.34 (2.10)	48.51 (1.91)	40.64 (1.60)	50.2 (1.98)
	With	FCN-707P034-AU/2	FCN-707P034-AU/7						
40	Without	FCN-707P040-AU/1	FCN-707P040-AU/6	76.20 (3.00)	68.58 (2.70)	60.96 (2.40)	56.13 (2.21)	48.26 (1.90)	57.8 (2.28)
	With	FCN-707P040-AU/2	FCN-707P040-AU/7						
50*	Without	FCN-707P050-AU/1	FCN-707P050-AU/6	88.90 (3.50)	81.28 (3.20)	73.66 (2.90)	68.83 (2.71)	60.96 (2.40)	70.5 (2.78)
	With	FCN-707P050-AU/2	FCN-707P050-AU/7						
60	Without	FCN-707P060-AU/1	FCN-707P060-AU/6	101.60 (4.0)	93.98 (3.70)	86.36 (3.40)	81.53 (3.21)	73.66 (2.90)	83.2 (3.28)
	With	FCN-707P060-AU/2	FCN-707P060-AU/7						

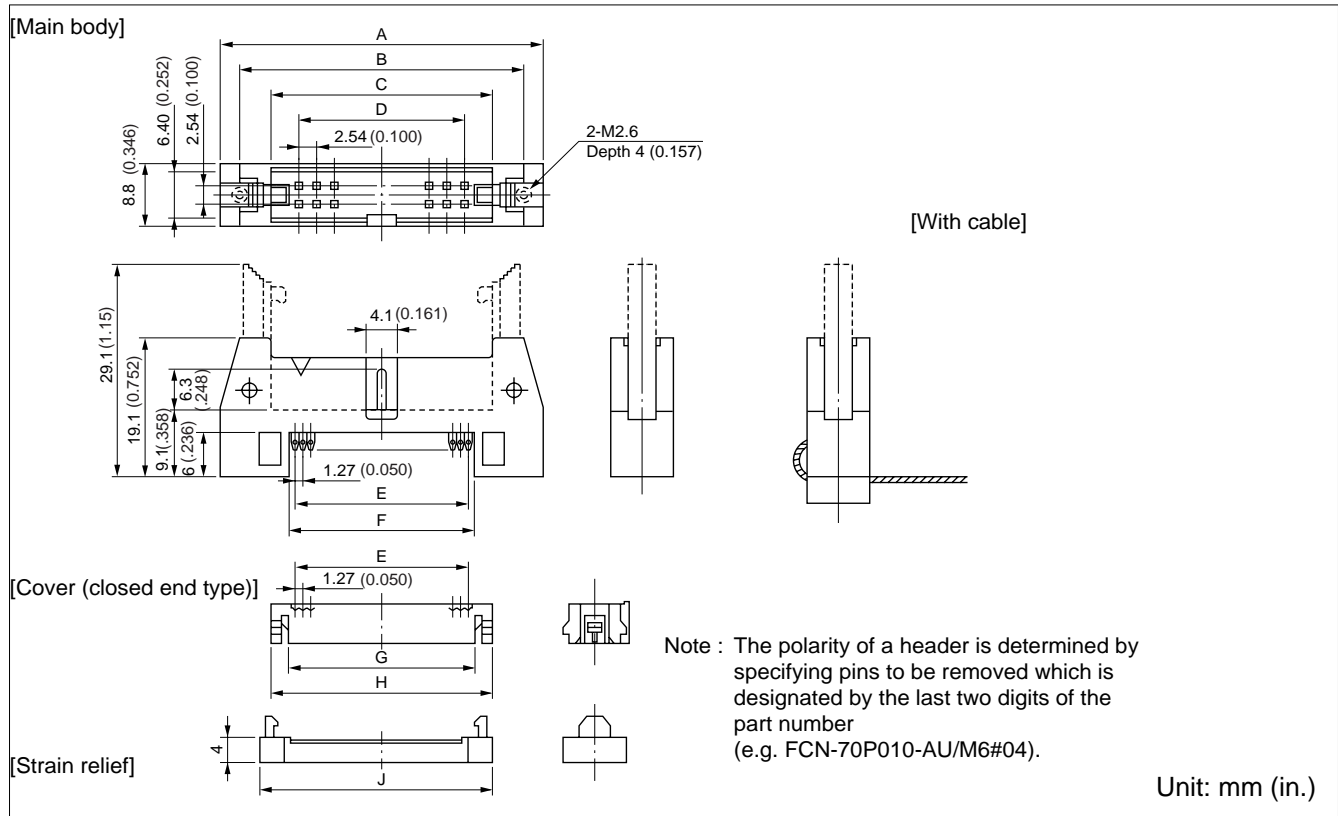
*: The end type is also available (for 50-pin type only).

Notes: The FCN-700A3 lock spring can be mounted on products with flanges to prevent accidental disconnection.

□ designation: P for headers to be mated with clip type sockets (e.g. FCN-707J010-AU/0 or B); F for headers to be mated with bump type sockets (e.g. FCN-707B010-AU/0 or B)

IDC HEADER M6 SERIES

■ DIMENSIONS



■ PART NUMBERS AND DIMENSIONS

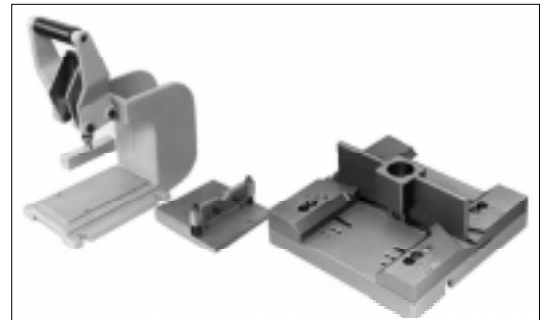
Number of contacts	Without mini latch	With mini latch	Dimensions (unit: mm (in.))								
			A	B	C	D	E	F	G	H	J
10	FCN-707P010-AU/0	FCN-707P010-AU/M6	32.0 (1.25)	26.80 (1.06)	18.3 (.720)	10.16 (.400)	11.43 (.450)	13.43 (.528)	13.43 (.528)	18.3 (.720)	20.2 (.795)
14	FCN-707P014-AU/0	FCN-707P014-AU/M6	37.1 (1.46)	31.90 (1.26)	23.4 (.921)	15.24 (.600)	16.51 (.650)	18.53 (.729)	18.53 (.729)	23.4 (.921)	25.3 (.996)
16	FCN-707P016-AU/0	FCN-707P016-AU/M6	39.62 (1.56)	34.42 (1.36)	25.9 (1.02)	17.78 (.700)	19.05 (.750)	21.03 (.828)	21.03 (.828)	25.9 (1.02)	27.8 (1.09)
20	FCN-707P020-AU/0	FCN-707P020-AU/M6	44.7 (1.76)	39.50 (1.56)	31.0 (1.22)	22.86 (.900)	24.13 (.950)	26.13 (1.03)	26.13 (1.03)	31.0 (1.22)	32.9 (1.29)
26	FCN-707P026-AU/0	FCN-707P026-AU/M6	52.32 (2.06)	47.12 (1.86)	38.6 (1.52)	30.48 (1.20)	31.75 (1.25)	33.73 (1.33)	33.73 (1.33)	38.6 (1.52)	40.5 (1.59)
30	FCN-707P030-AU/0	FCN-707P030-AU/M6	57.4 (2.26)	52.20 (2.06)	43.7 (1.72)	35.56 (1.40)	36.83 (1.45)	38.83 (1.53)	38.83 (1.53)	43.7 (1.72)	45.6 (1.79)
34	FCN-707P034-AU/0	FCN-707P034-AU/M6	62.48 (2.46)	57.28 (2.26)	48.8 (1.92)	40.64 (1.60)	41.91 (1.65)	43.93 (1.73)	43.93 (1.73)	48.8 (1.92)	50.7 (2.00)
40	FCN-707P040-AU/0	FCN-707P040-AU/M6	70.1 (2.76)	64.90 (2.56)	56.4 (2.22)	48.26 (1.90)	49.53 (1.95)	51.53 (2.03)	51.53 (2.03)	56.4 (2.22)	58.3 (2.29)
50	FCN-707P050-AU/0	FCN-707P050-AU/M6	82.8 (3.26)	77.60 (3.06)	69.1 (2.72)	60.96 (2.40)	62.23 (2.45)	64.23 (2.53)	64.23 (2.53)	69.1 (2.72)	71.0 (2.79)
60	FCN-707P060-AU/0	FCN-707P060-AU/M6	95.5 (3.76)	90.30 (3.56)	81.8 (3.22)	73.66 (2.90)	74.93 (2.95)	76.93 (3.03)	76.93 (3.03)	81.8 (3.22)	83.7 (3.29)

IDC TOOLS

■ FEATURES

- Special IDC tools are used to assemble FCN-700 series connectors and flat cables.
- All tools are simple and easy to use, even for first-time users.
- Users who have IDC tools manufactured by us do not have to buy hand presses or cutting cables. They are compatible. Please buy the locator plate designed for your connectors.
- The number of pins can be changed easily by setting the connector guide to a specified pin hole.
- The cable cutter remains sharp, giving fast, easy cutting with a long life.

- Notes:
- Please ask for an operation instruction manual if needed.
 - If you have any questions about Fujitsu IDC tools, please contact your local Fujitsu office or your local Fujitsu distributor.



Hand press Cable cutter Locator plate

■ CABLE TERMINATION

• Flat cable termination diagram

There are many ways to connect connectors to flat cables. Choose the best connection method for your application from the figure below.

The orientation of a connector is important when you specify polarity to prevent incorrect insertion of 700 series clip types.

Discrete wire insulation displacement connection is possible, but cable assembly is not simple. Please contact us for details.

• Cable length

The length of a cable is indicated in units of cm, as shown in the figure below. The minimum length is 3 cm. The specified tolerance of the cable length is $\pm 10\%$ for $L \leq 10$ cm (± 5 mm min.), ± 1 cm for 10 cm $< L < 100$ cm, $\pm(L/100$ cm $+ 2$ cm) for 100 cm $\leq L \leq 1800$ cm, and ± 20 cm for 1800 cm $< L$.

Type number Connector model	No. 1	No. 2	No. 3	No. 4
700 series				
707P series				

■ PART NUMBERS FOR IDC TOOLS

Name	Part number
Cable cutter (common)	FCN-707T-T001/H
Hand press (common)	FCN-707T-T101/H
Locator plate 700 series socket	FCN-707T-T022/H
Locator plate 700 series plug (for 707P series)	FCN-707T-T025/H
Locator plate 700 series plug (for 707P series M6 type)	FCN-707T-T036/H

The hand press and the cable cutter can be used for other IDC connectors.