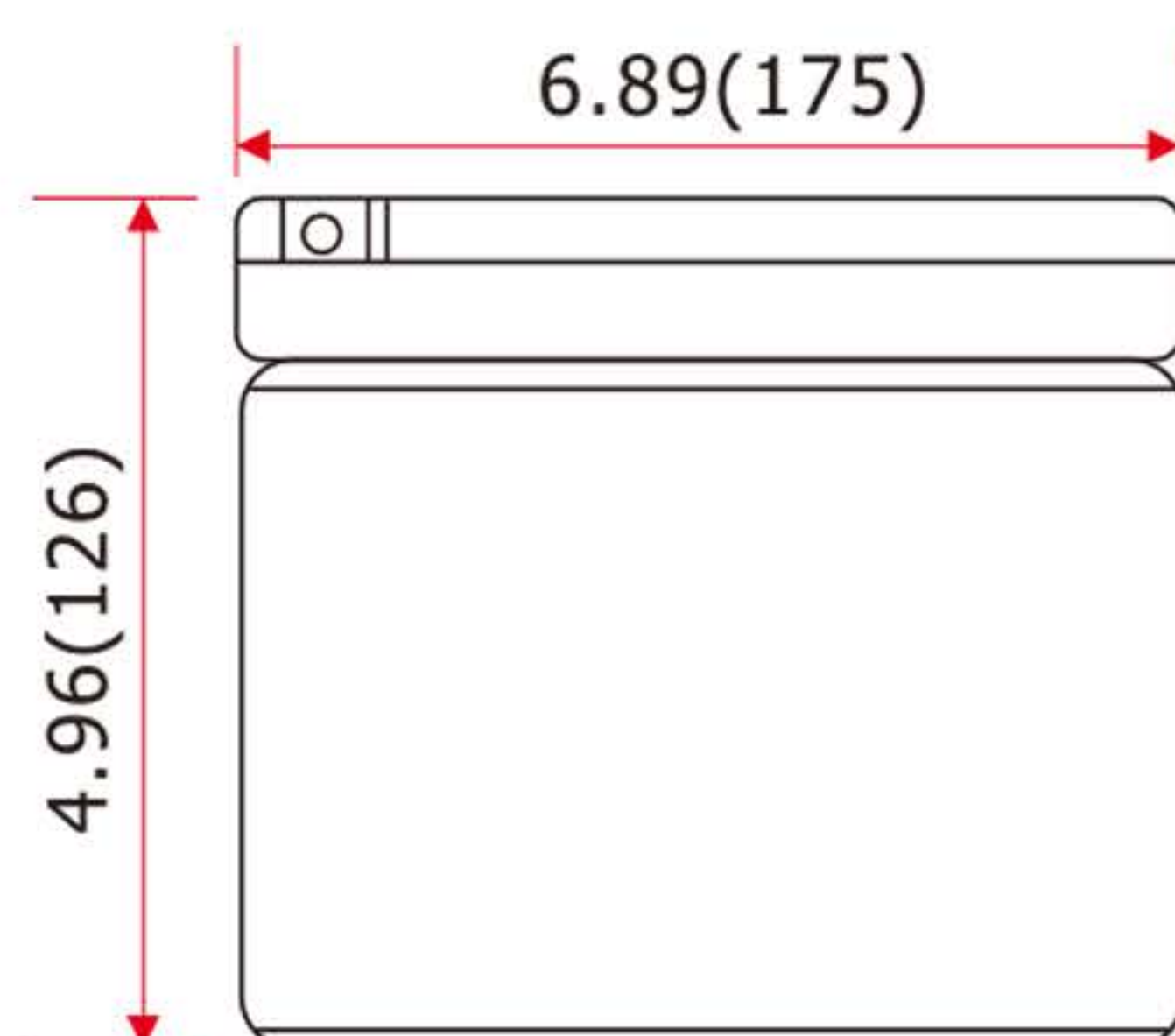
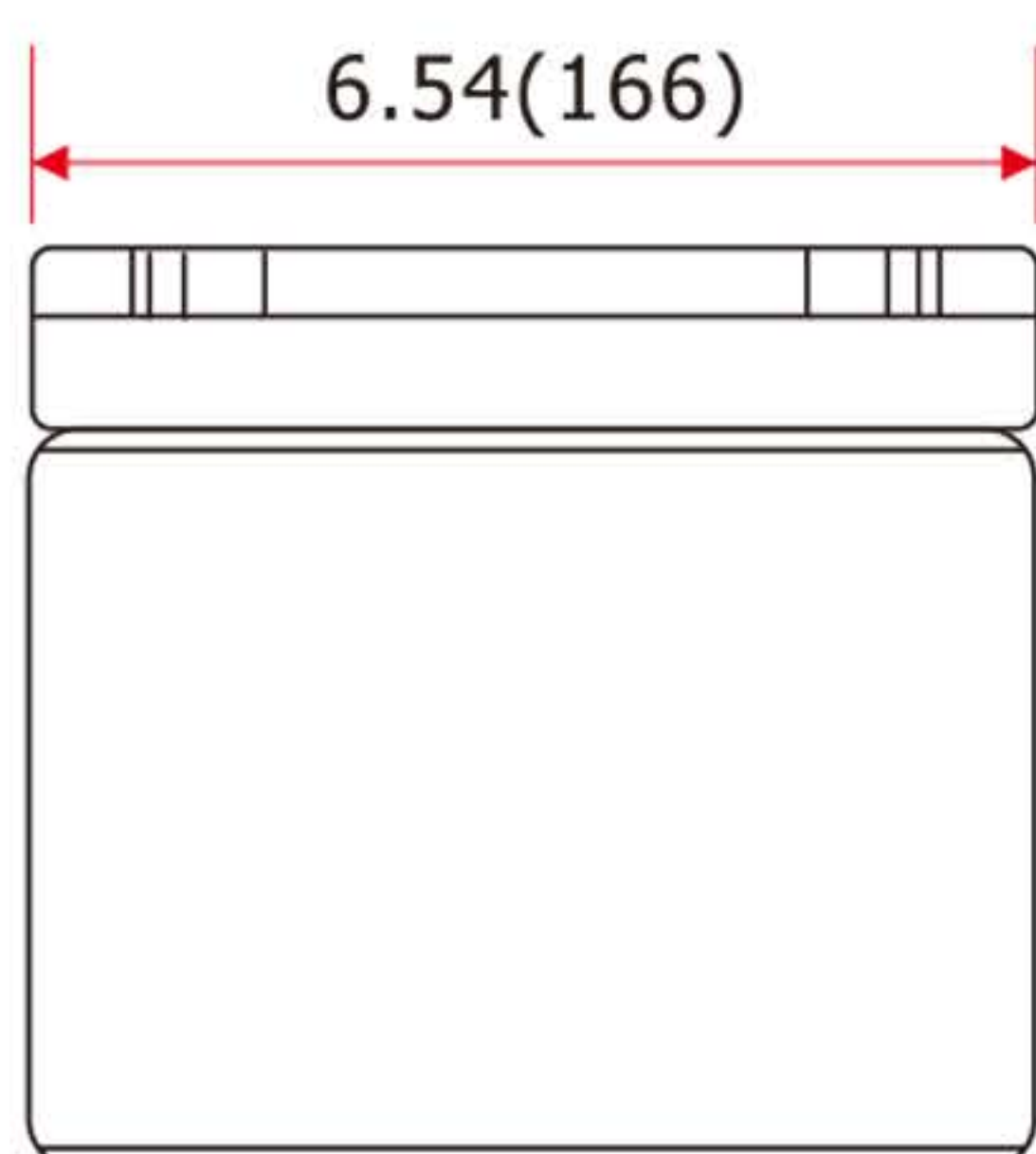
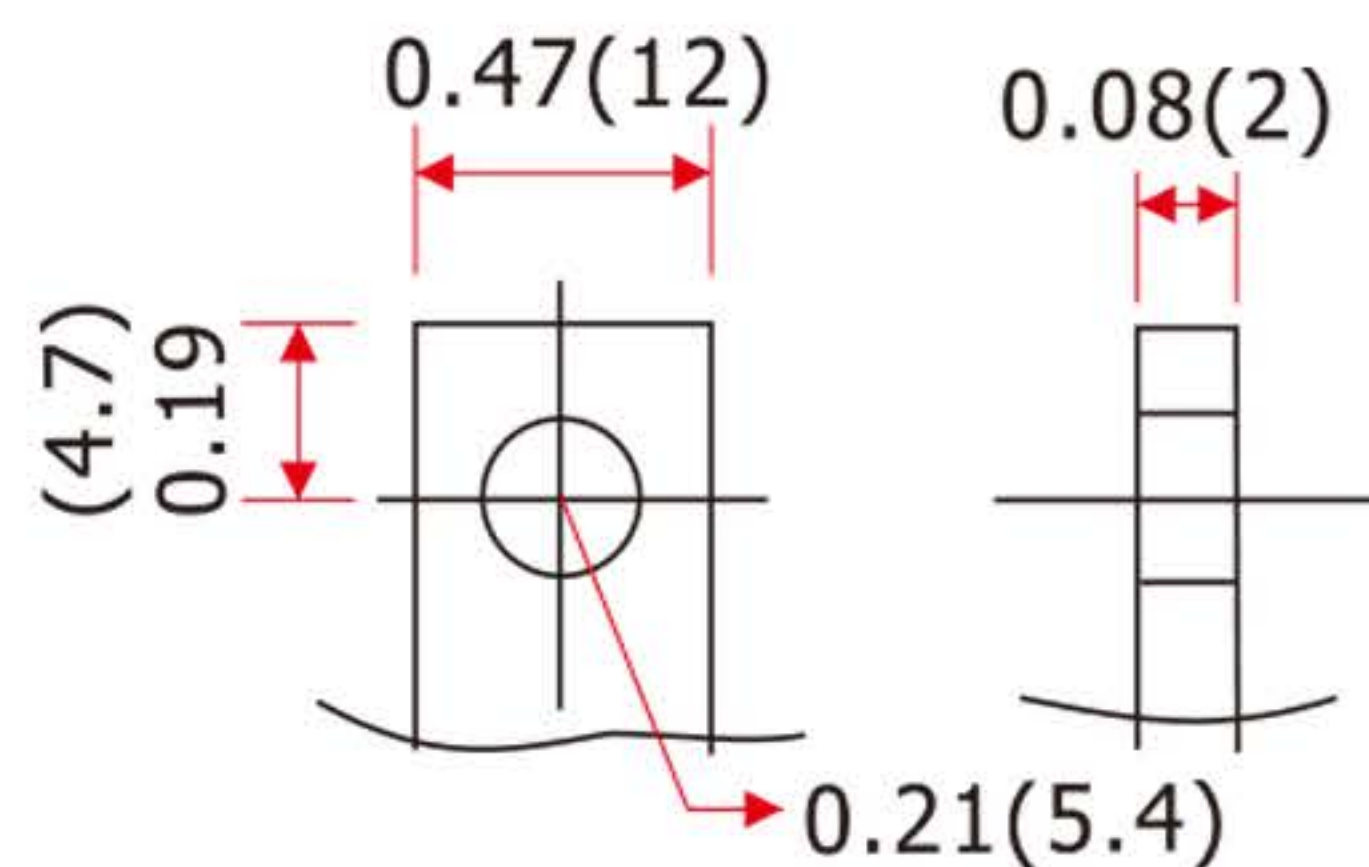
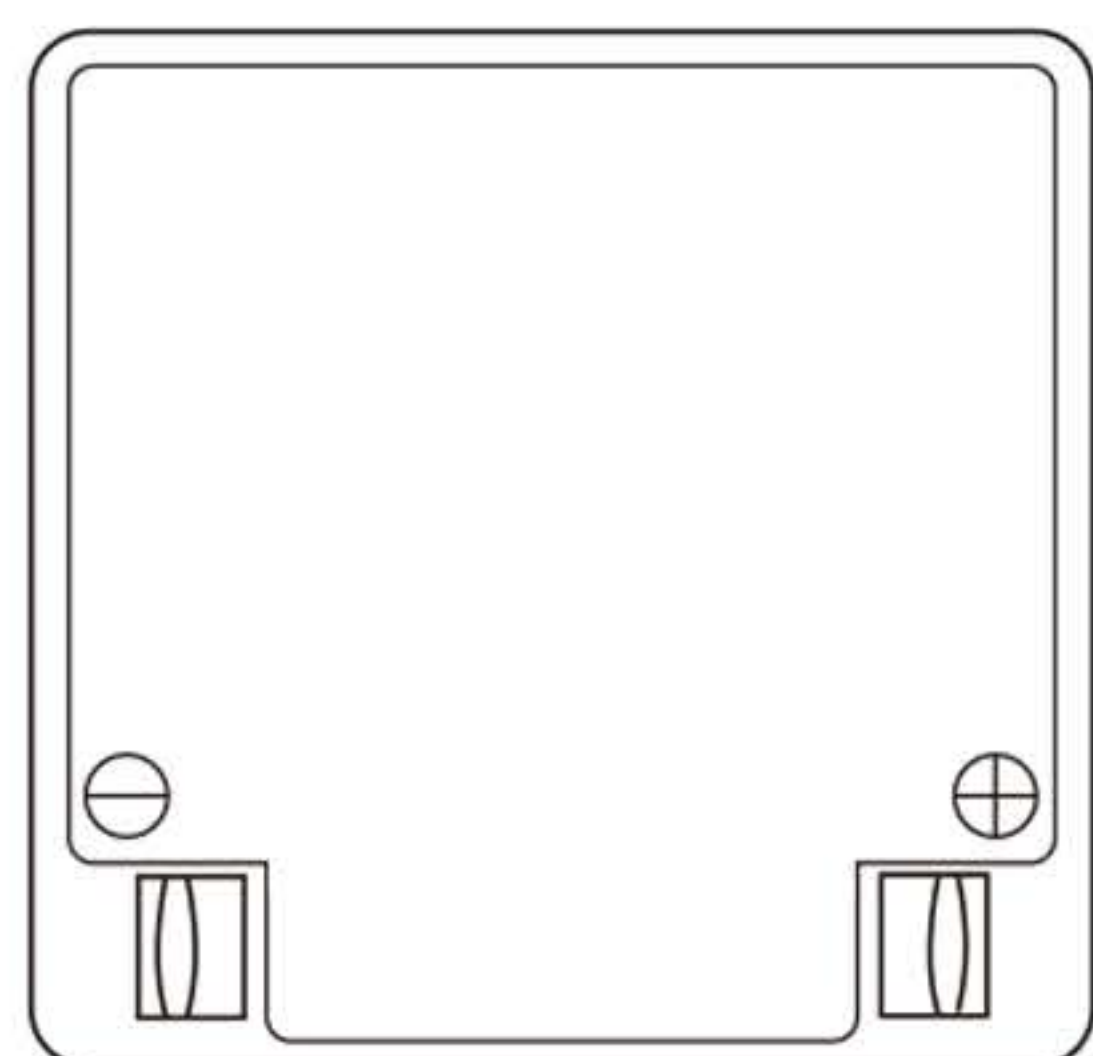
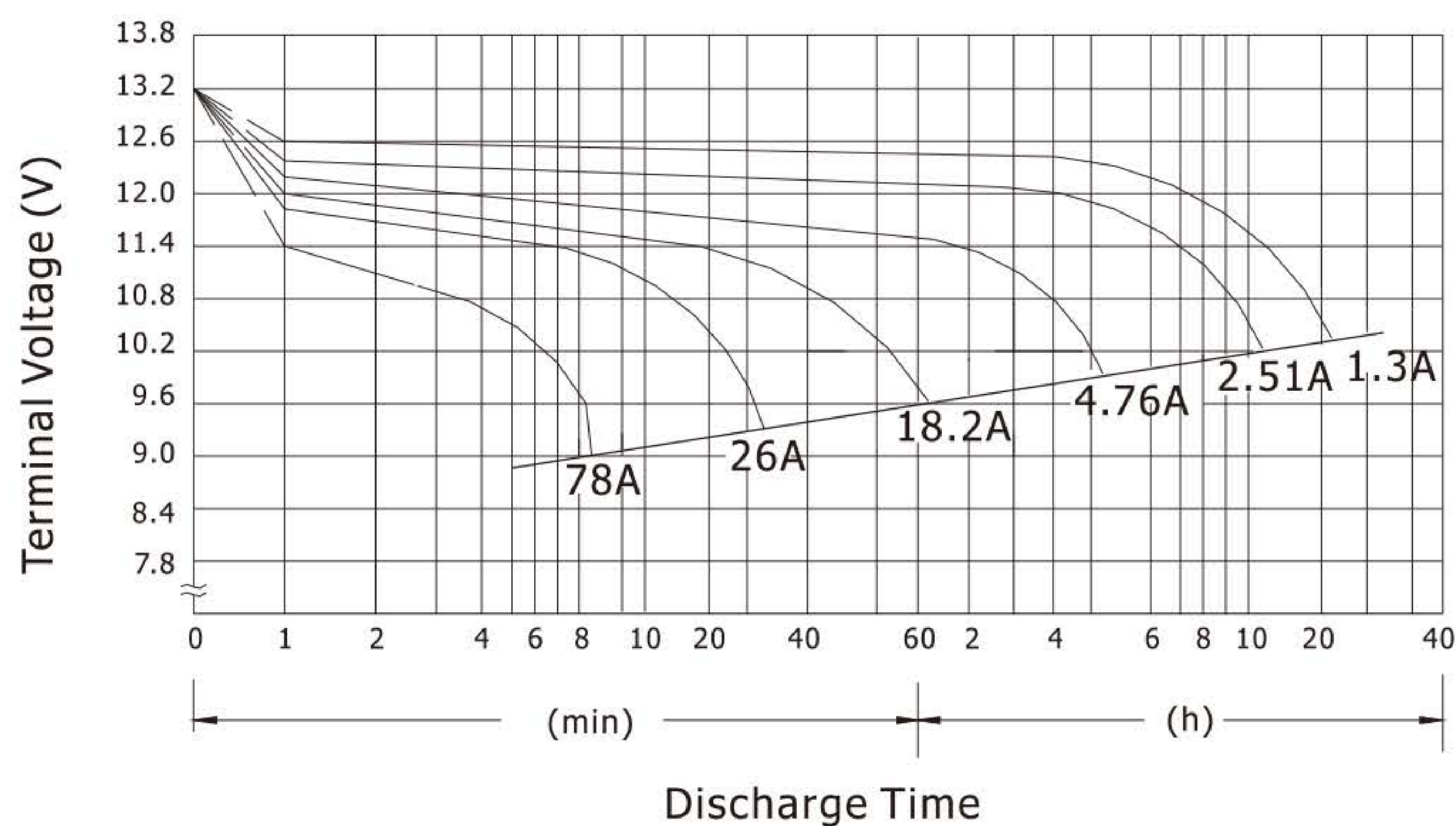
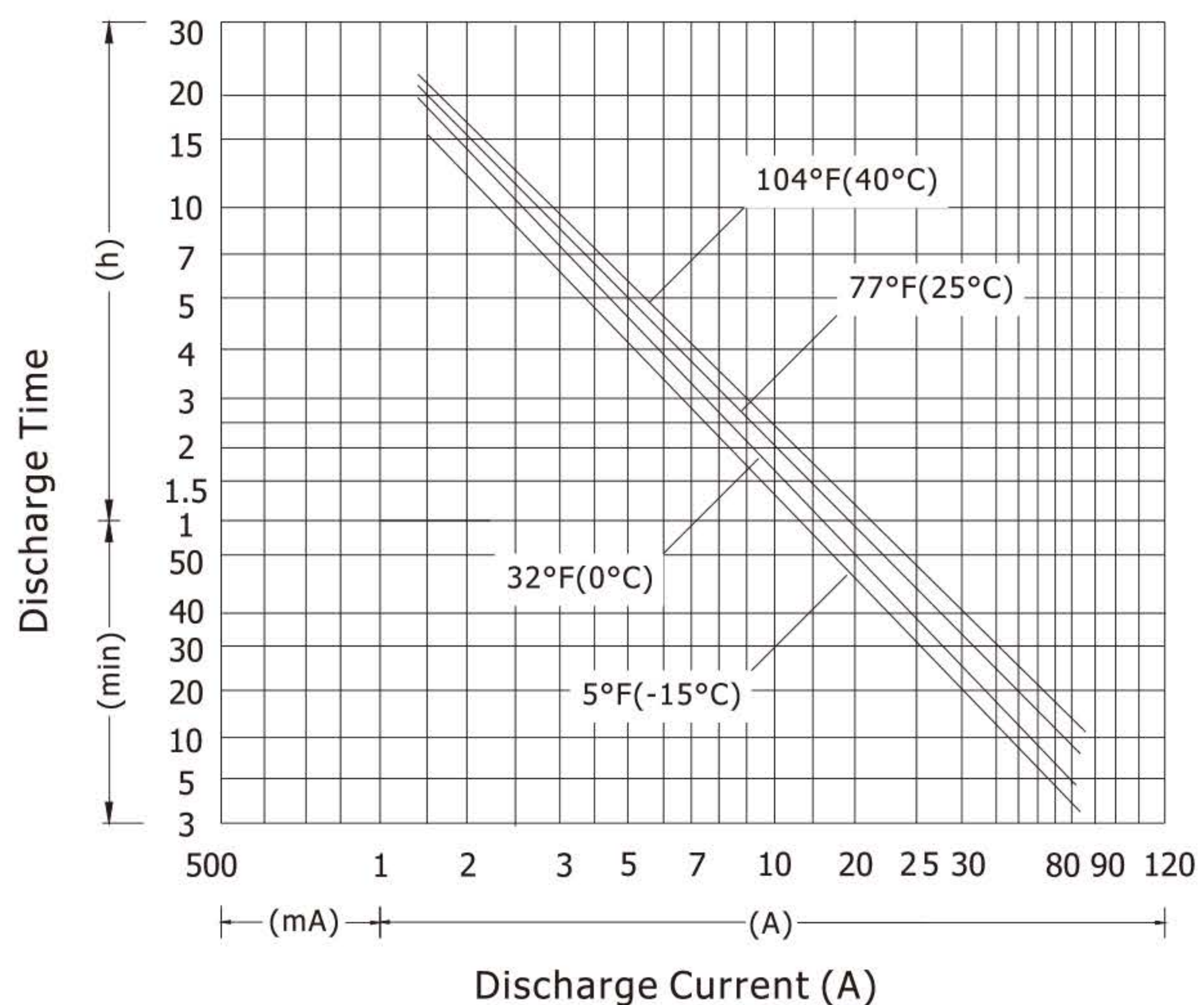


Unit:inch(mm)



Discharge Current and Discharge Duration Time



Specification

Nominal Voltage	12V	
Rated Capacity (20hr Rate)	26Ah	
Dimensions	Length	6.54inches (166mm)
	Width	6.89inches (175mm)
	Height	4.96inches (126mm)
	Total Height	4.96inches (126mm)
Weight	Approx. 18.23lbs (8.27kg)	
Characteristics		
Capacity 77°F(25°C)	20hour rate (1.30A)	26.0Ah
	10hour rate (2.51A)	25.1Ah
	5hour rate (4.76A)	23.8Ah
	1hour rate (18.2A)	18.2Ah
Internal Resistance	Full Charged, 77°F(25°C)	10mΩ
Capacity Affected By Temperature (10hr Rate)	104°F(40°C)	102%
	77°F(25°C)	100%
	32°F(0°C)	85%
	5°F(-15°C)	65%
Self-Discharge 77°F(25°C)	Capacity after 3 month storage	90%
	Capacity after 6 month storage	85%
	Capacity after 9 month storage	65%
Charge (Constant Voltage)	Initial Charge Current "LESS" than 7.80A	
	Cycle	14.2~14.5V/77°F(25°C)
	Stand By	13.4~13.7V/77°F(25°C)

**These data are average values obtained from three Charge/Discharge cycles. Note: These are NOT minimum values.

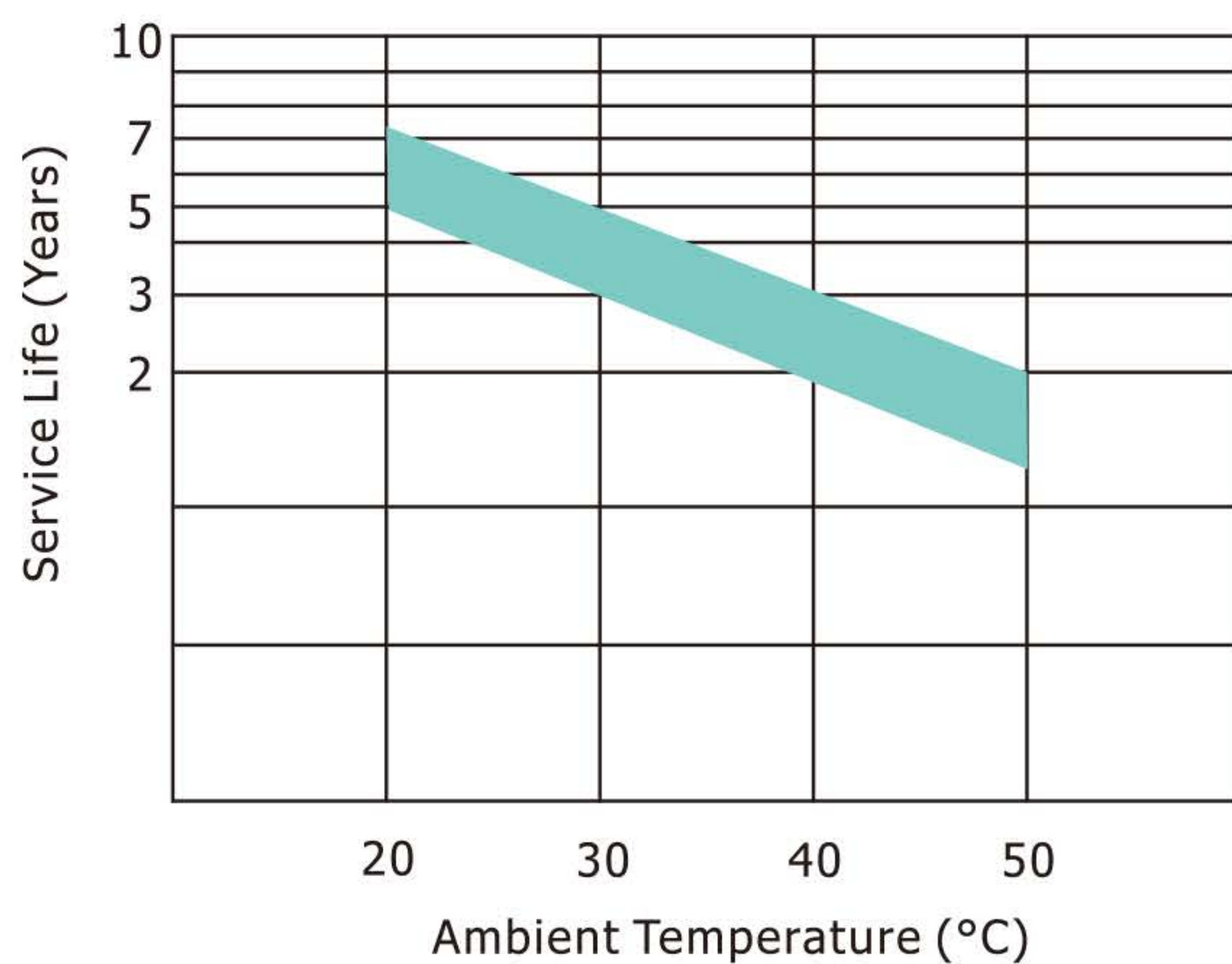
Constant Current Discharge Characteristics Unit: A (25°C / 77°F)

F.V/Time	5MIN	10MIN	15MIN	30MIN	1HR	2HR	3HR	5HR	8HR	10HR	20HR
9.6V	92.7	64.4	48.3	29.3	17.4	9.90	7.25	4.63	3.07	2.49	1.37
10.0V	86.5	60.7	46.0	28.3	17.0	9.70	7.15	4.55	3.02	2.45	1.35
10.2V	83.0	58.6	44.7	27.9	16.8	9.50	7.08	4.53	2.99	2.42	1.32
10.5V	76.0	55.1	42.8	26.8	16.6	9.40	6.95	4.53	2.94	2.39	1.30
10.8V	68.9	51.1	40.0	25.8	16.2	9.20	6.79	4.34	2.86	2.35	1.25
11.1V	60.2	45.6	37.0	24.8	15.9	9.00	6.54	4.27	2.82	2.32	1.20

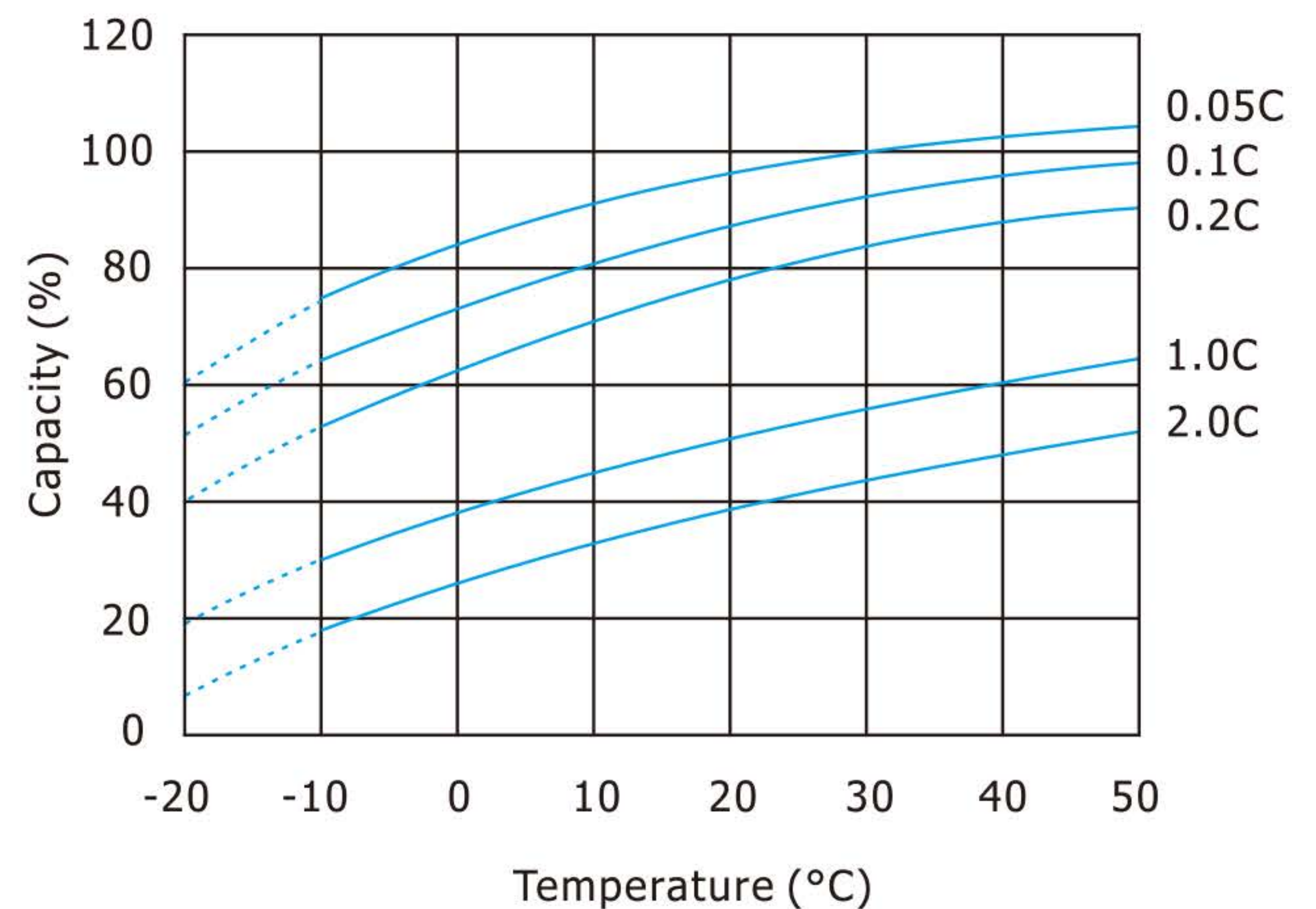
Constant Power Discharge Characteristics Unit: W (25°C / 77°F)

F.V/Time	5MIN	10MIN	15MIN	30MIN	1HR	2HR	3HR	5HR	8HR	10HR	20HR
9.6V	1006	713	557	341	199	112	82.4	53.8	35.3	28.4	15.1
10.0V	926	667	525	331	194	111	80.5	52.8	34.5	27.9	14.9
10.2V	883	646	509	326	193	109	79.7	52.1	34.3	27.7	14.9
10.5V	813	605	482	317	189	107	77.4	50.9	33.7	27.2	14.8
10.8V	732	557	453	303	185	105	76.0	49.5	32.5	26.5	14.5
11.1V	650	506	424	290	178	103	74.0	48.3	31.8	25.7	13.8

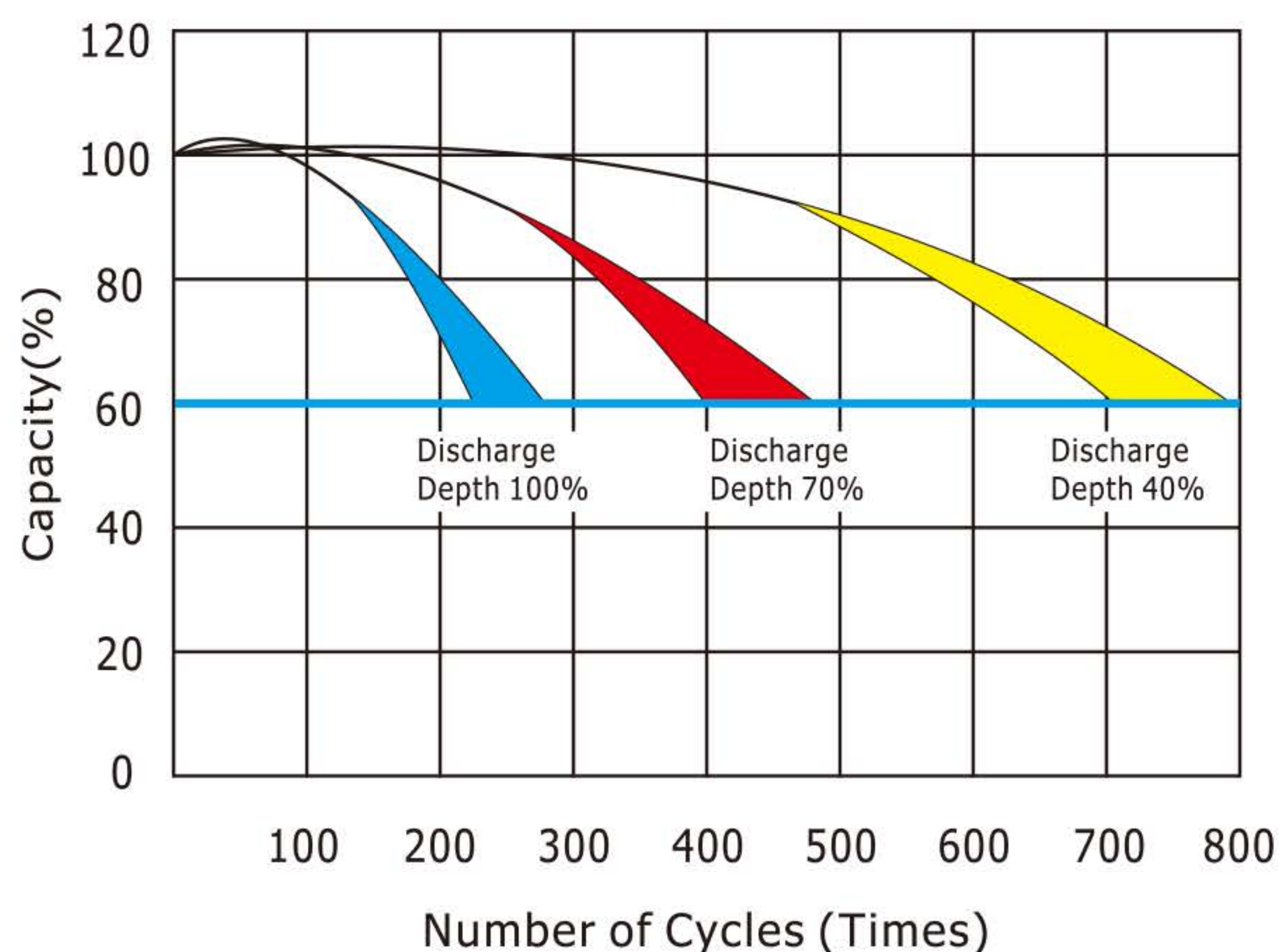
Trickle / Float Service Life



Effect of Temperature on Capacity



Cycle Service Life (@25°C/77°F)



Capacity Retention Characteristic

