

Feature

- 1 millions min cycles rotational life
- Single-turn industrial panel controls

F-24kn5 Metal Shaft Rotary Potentiometer

Electrical characteristics

- Total Resistance.....500Ω~1MΩ
- Total Resistance Tolerance.....±20%
- Resistance Taper.....A,B,C,D,etc.
- Max.Operator Voltage.....Linear Tape B:AC 500V,
Other Tapers: AC 250V
- Rated Power.....Linear Taper B: 0.5W
Other Tapers: 0.25W
- Sliding Noise.....Less than 100mv
- Insulation Resistance.....More than 100MΩ at DC 500V
- Withstand voltage.....1 minute at AC 500V
- Residual resistance.....Term.1~ 2: less than 10Ω
Term.2~ 3: less than 10Ω

Mechanical characteristics

- Total Rotational Angle.....300° ± 10°
- Rotational Torque.....30gf.cm~150gf.cm
- Rotational Stopper Strength.....5.0kgf.cm Min.
- Push-Pull Strength.....10.0kgf Min

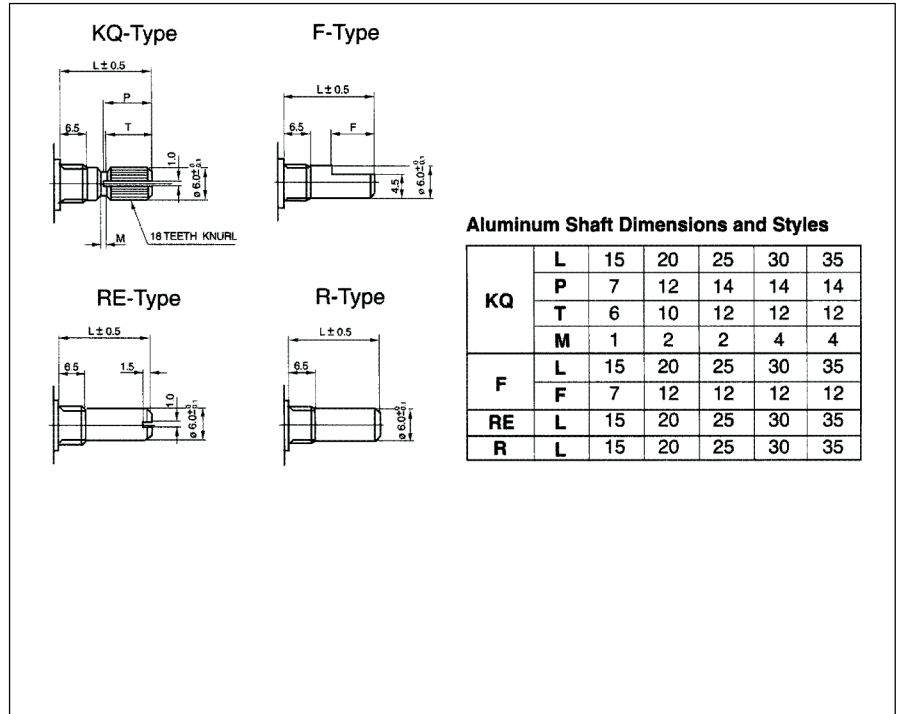
Durability

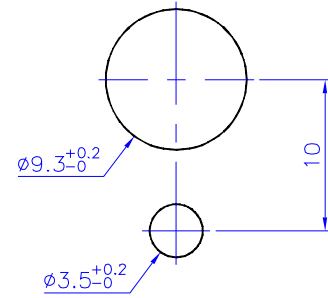
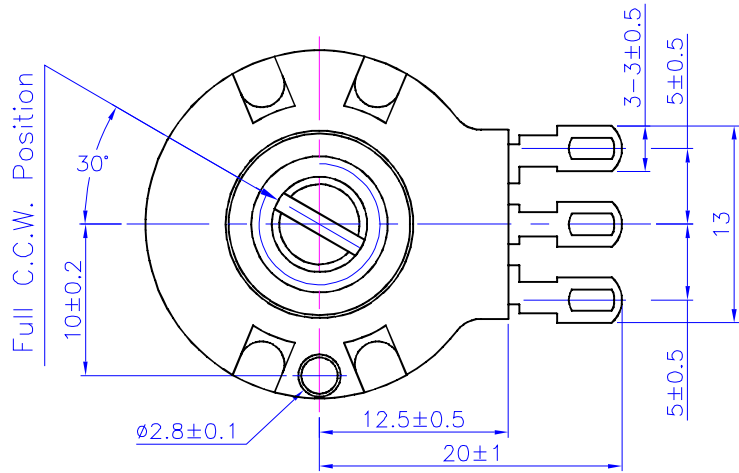
- Rotational Life (for joystick).....1million Cycles



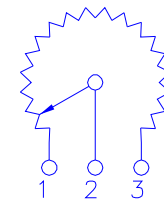
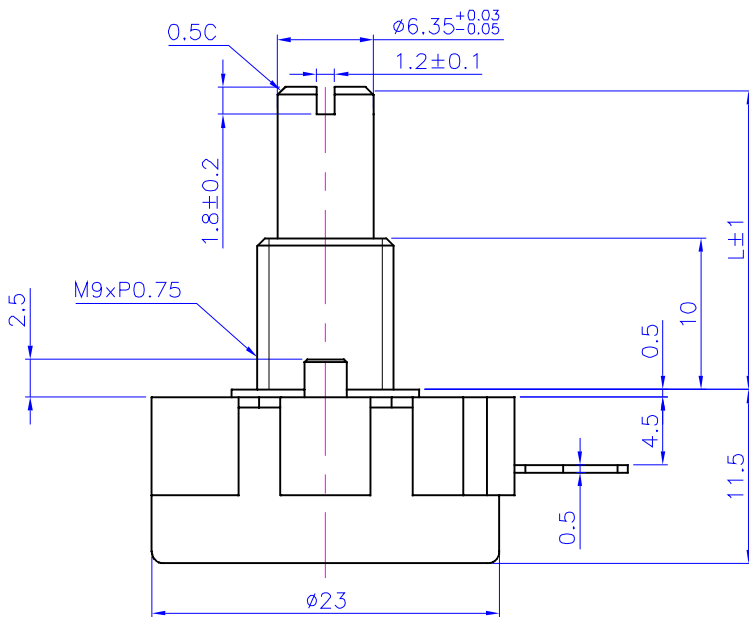
Shaft illustration

Standard Dimensions of Shaft for
F-24K Series.
(Customer designs are welcomed)

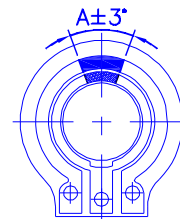
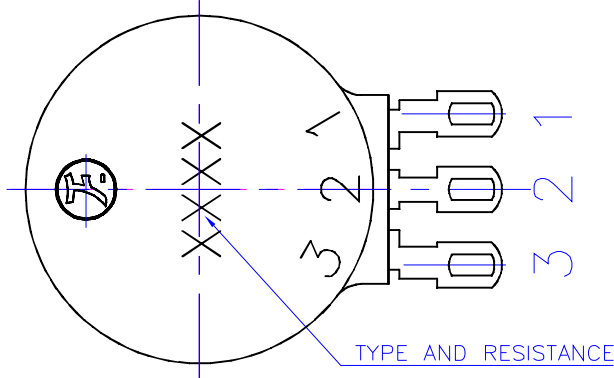




Recommended Pane Mounting Holes



Circuit diagram



Element printing

Length of product shaft

L	19	20	25	30	35	40	50
---	----	----	----	----	----	----	----

Electrical effective angle

A	40°	280°	290°
---	-----	------	------



Part number system of metal shaft potentiometer

