

## Feature

- Metal shaft style
- Carbon element
- Wide range of resistance tapers

## F-16k metal shaft rotary potentiometer

### Electrical characteristics

- Total Resistance.....500Ω~1MΩ
- Total Resistance Tolerance.....± 20%
- Resistance Taper.....A,B,C,D
- Max.Operator Voltage.....Linear Taper B:AC 200V,  
Other Tapers: AC 150V
- Rated Power.....Linear Taper B: 0.2W  
Other Tapers: 0.1W
- Sliding Noise.....Less than 100mv
- Insulation Resistance.....More than 100MΩ at DC 500V
- Withstand voltage.....1 minute at AC 500V
- Single Unit With illuminated Function.....1 minute at AC 1500V
- Gang Error(Dual Unit).....-40dB~0dB ± 3dB
- Switch Contact Resistance.....Less than 50mΩ
- Residual resistance.....term.1~ 2: less than 20Ω  
term.2~ 3: less than 20Ω
- Switch rated power.....Single Unit : 1.0A at AC/ DC 12V

### Mechanical characteristics

- Total Rotational Angle.....300°± 5°
- Rotational Torque.....20gf.cm~100gf.cm
- Click Torque.....100gf.cm~300gf.cm
- Rotational Stopper Strength.....7.0kgf.cm Min.
- Push-Pull Strength.....8.0kgf Min
- Switch Rotational Angle.....35° ± 10°
- Switch torque.....70gf.cm ~ 400gf.com
- Bushing & Nut Tight Strength.....8Kgf.cm Min (Metal Bushing)  
6Kgf. cm Min(plastic Bushing)

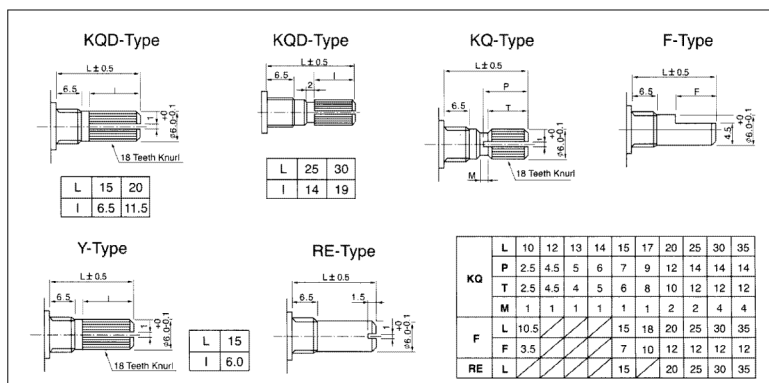


## Durability

- Rotational Life.....10,000 Cycles
- Rotational Life (for joystick).....100,000 Cycles Min.

## Shaft illustration

Standard Dimensions of Shaft for F-16K Series.  
(Customer designs are welcomed)



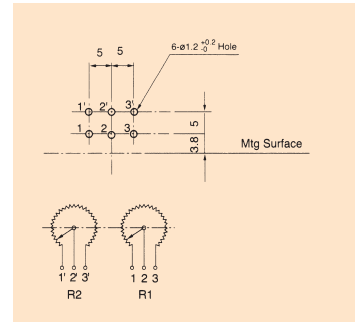
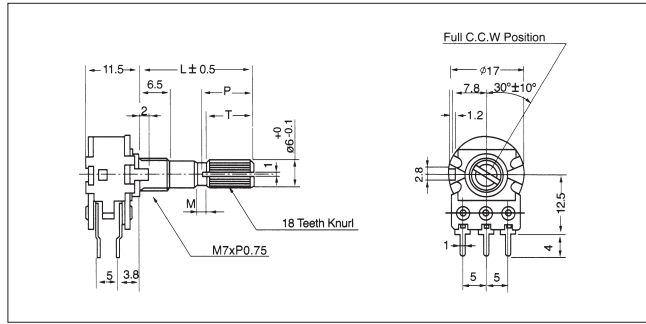
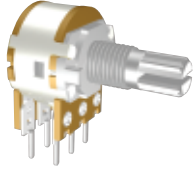


# F-16K Series

## Metal Shaft Rotary Potentiometer

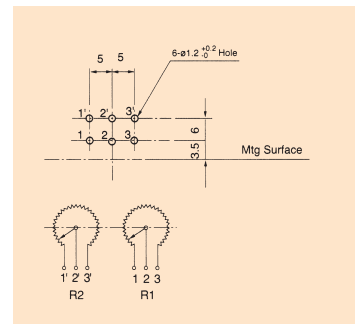
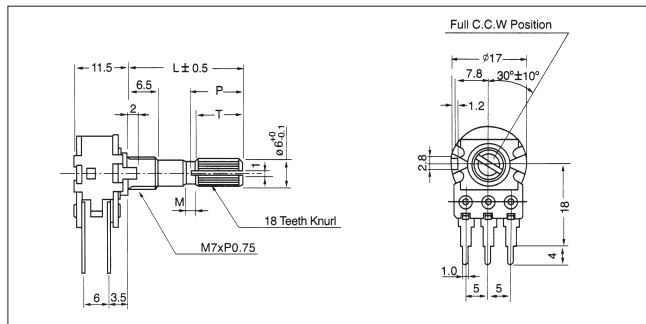
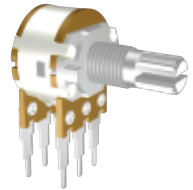
### F-16KG

Vertical Type with 1, 11,21, 41 Clicks,Dual Unit,P.C.B.Terminal



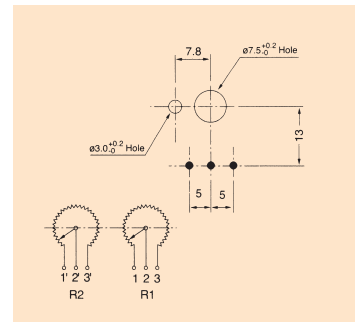
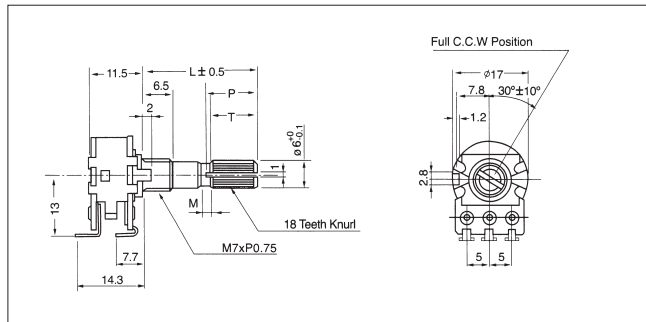
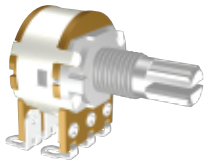
### F-16KG2

Vertical Type with 1, 11,21, 41 Clicks,Dual Unit,P.C.B.Terminal



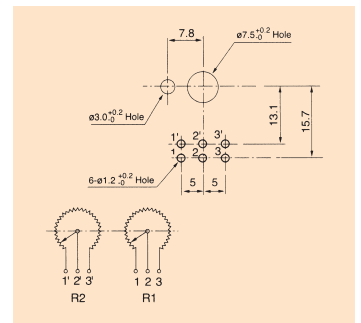
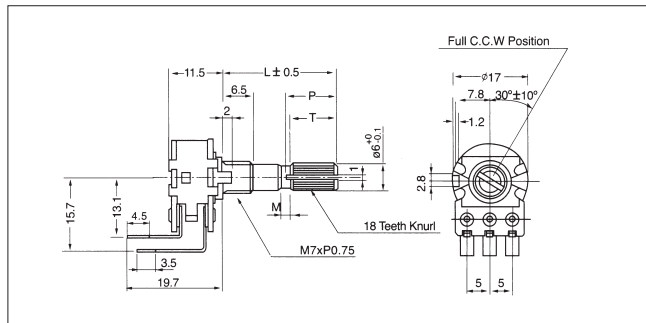
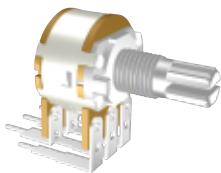
### F-16KGPE

Vertical Type with 1, 11,21, 41 Clicks,Dual Unit,solder Terminal



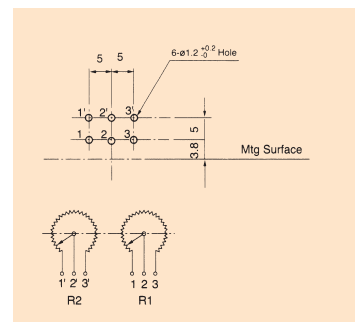
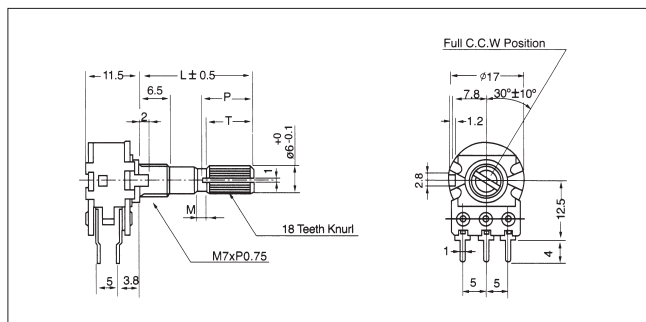
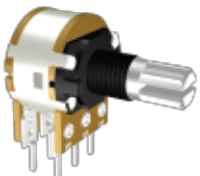
### F-16KGP

Horizontal Type with 1, 11,21, 41 Clicks,Dual Unit,P.C.B. Terminal



### F-16KG-U

Vertical Type with 1, 11,Clicks, Dual Unit,P.C.B. Terminal,Plastic Bushing



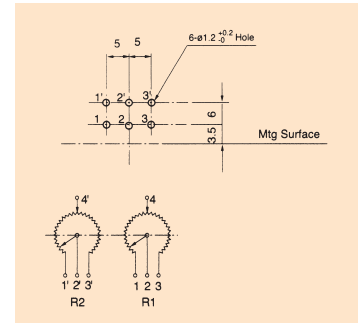
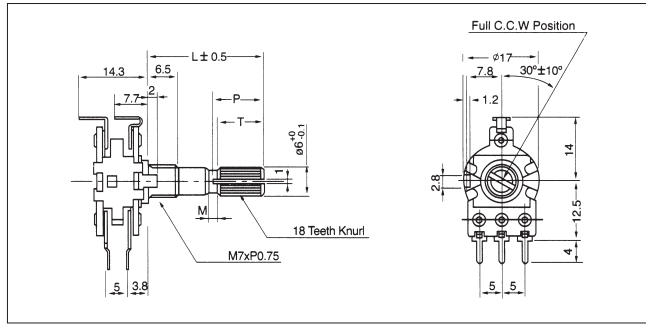
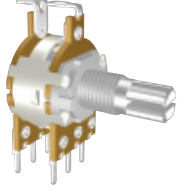


# F-16K Series

## Metal Shaft Rotary Potentiometer

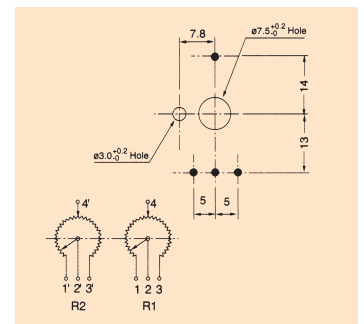
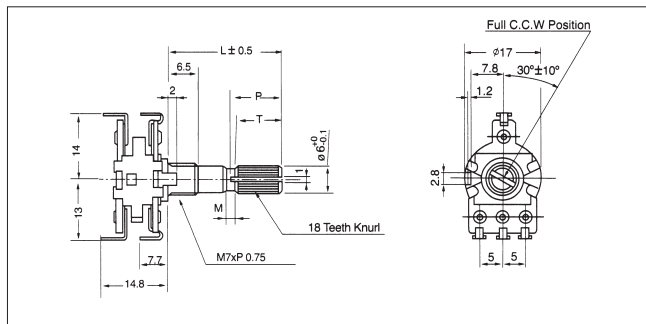
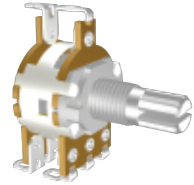
### F-16KGT2

Vertical Type with 1, 11, 21, 41 Clicks, Dual Unit, P.C.B. Terminal with Tap



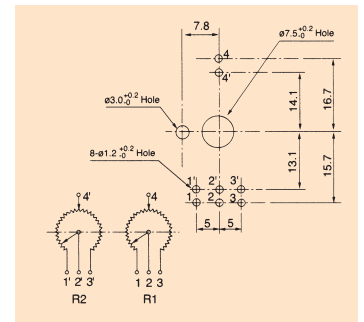
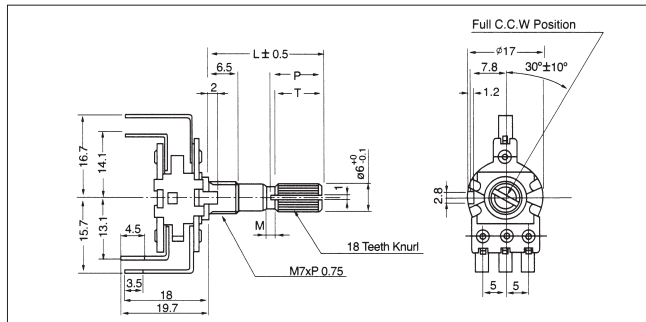
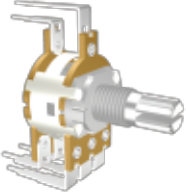
### F-16KGE

Vertical Type with 1, 11, 21, 41 Clicks, Dual Unit, solder Terminal with Tap



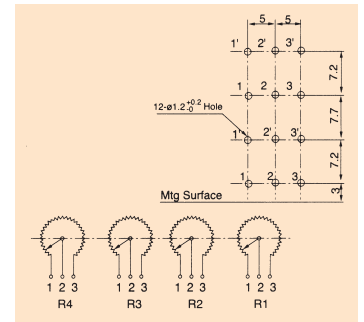
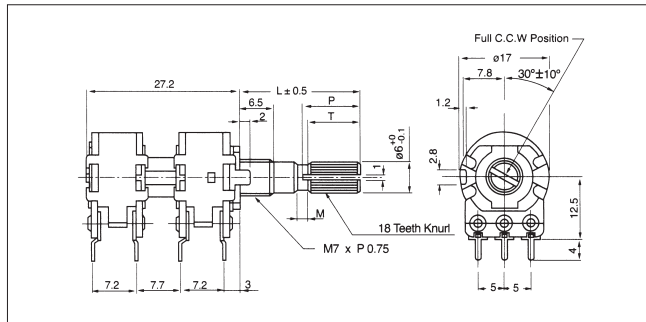
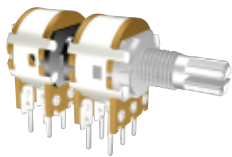
### F-16KG3

Horizontal Type with 1, 11, 21, 41 Clicks, Dual Unit, P.C.B. Terminal with Tap



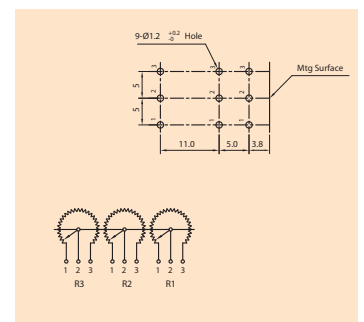
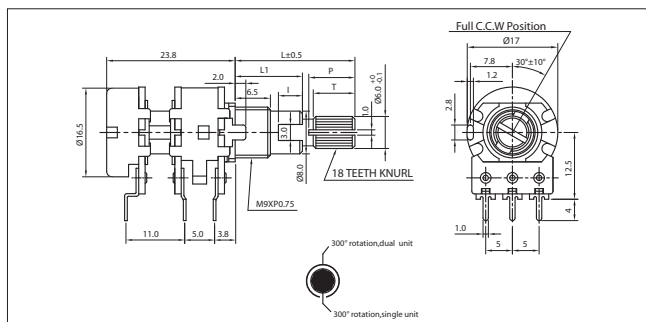
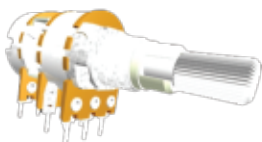
### F-16KJ

Vertical Type with 1, 11, 21, 41 Clicks, Dual Unit, P.C.B. Terminal



### F-16KJ3-DS

Vertical Type with 1 Click, Dual Unit, P.C.B. Terminal, Dual shaft



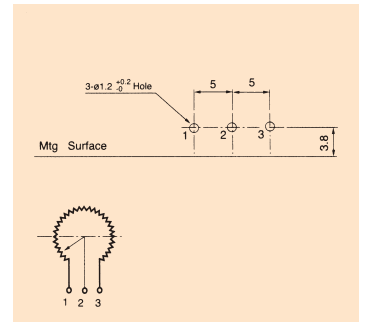
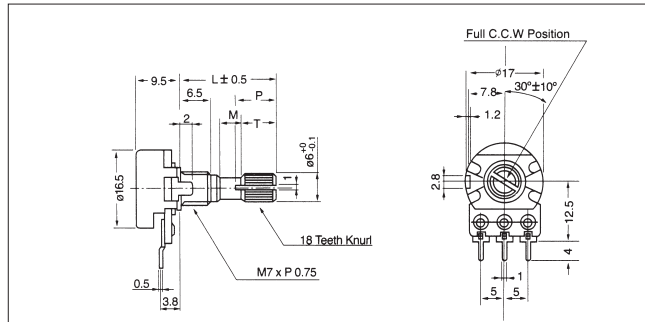
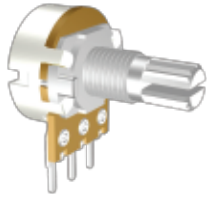


# F-16K Series

## Metal Shaft Rotary Potentiometer

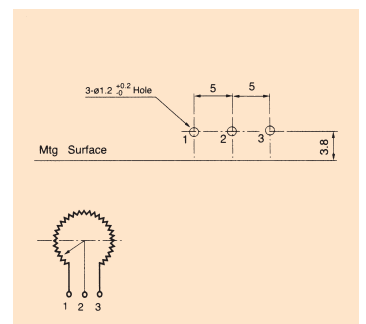
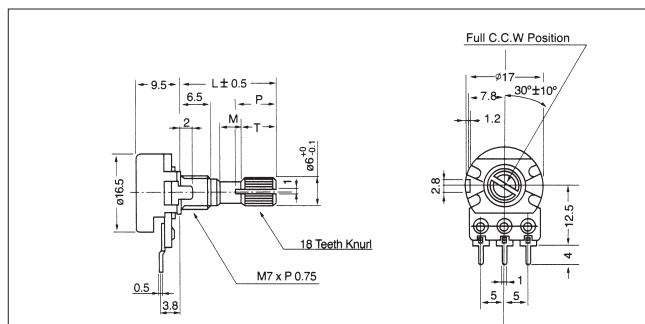
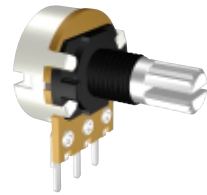
### F-16KN

Vertical Type with 1, 11, 21, 41 Clicks, Single Unit, P.C.B. Terminal



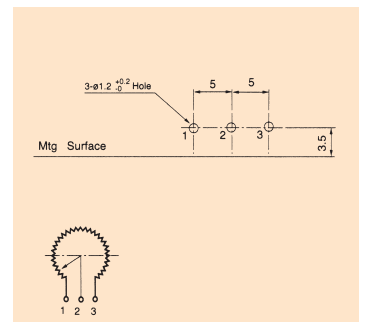
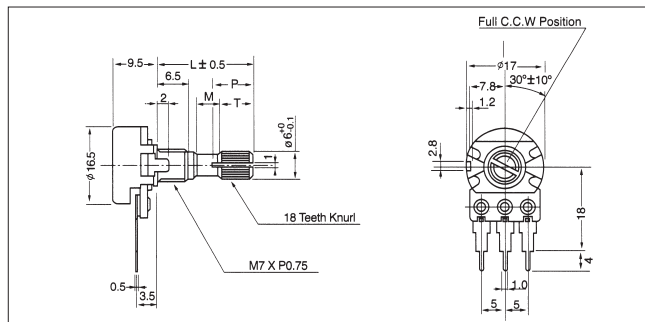
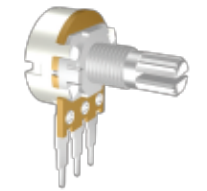
### F-16KN-U

Vertical Type with 1, 11 Clicks, Single Unit, P.C.B. Terminal, Plastic Bushing



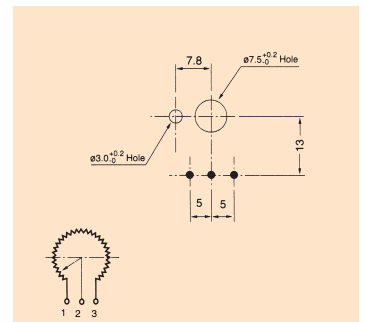
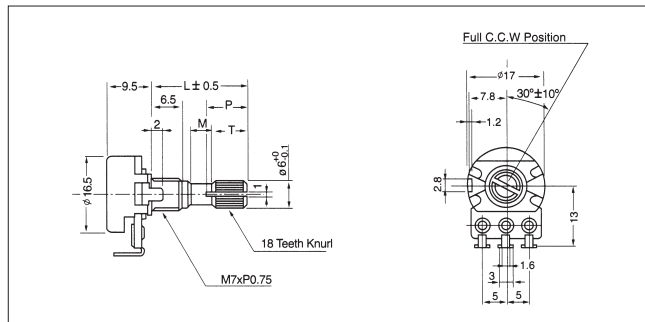
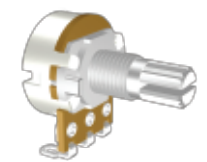
### F-16KN2

Vertical Type with 1, 11, 21, 41 Clicks, Single Unit, P.C.B. Terminal



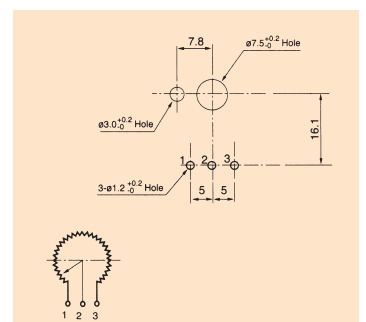
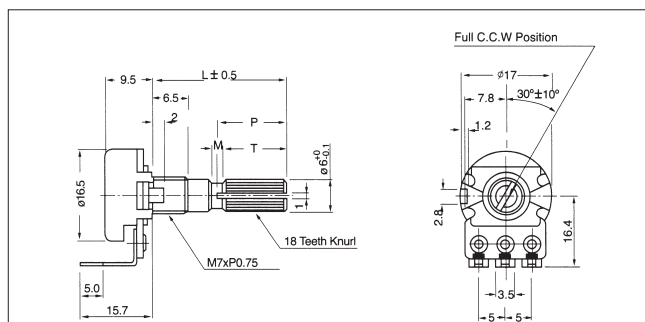
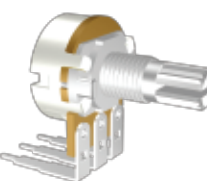
### F-16KNP

Vertical Type with 1, 11, 21, 41 Clicks, Single Unit, Solder Terminal



### F-16KNP2

Horizontal Type with 1, 11, 21, 41 Clicks, Single Unit, P.C.B. Terminal



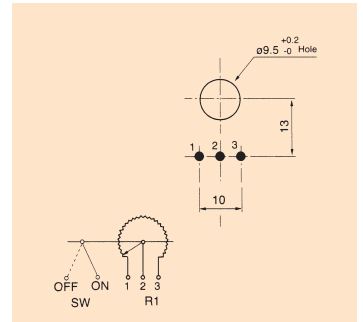
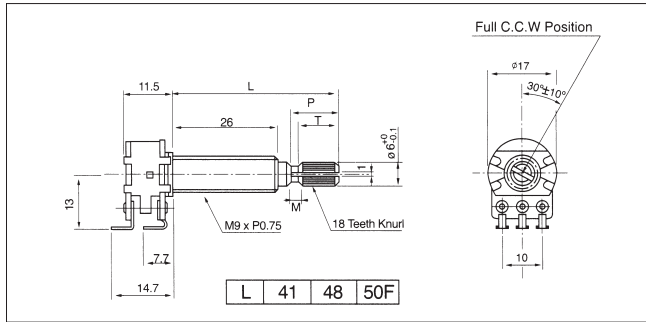
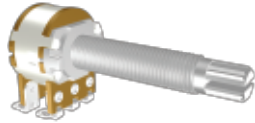


# F-16K Series

## Metal Shaft Rotary Potentiometer

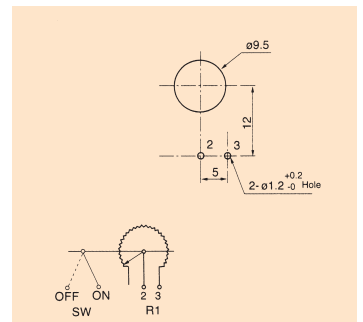
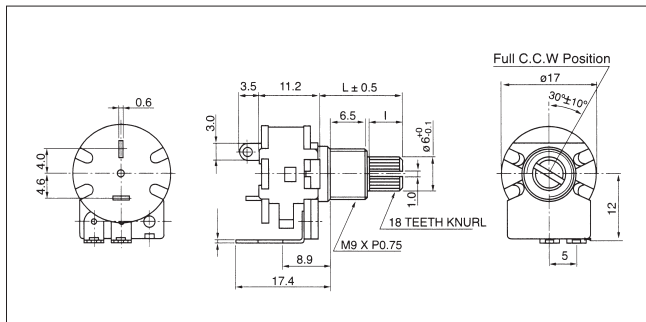
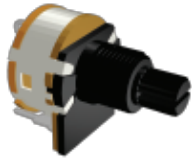
### F-16KSH

Vertical Type with Switch, Single Unit, Solder Terminal, for Car Audio use



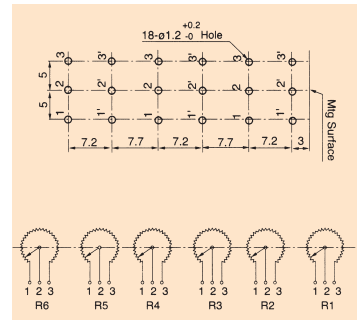
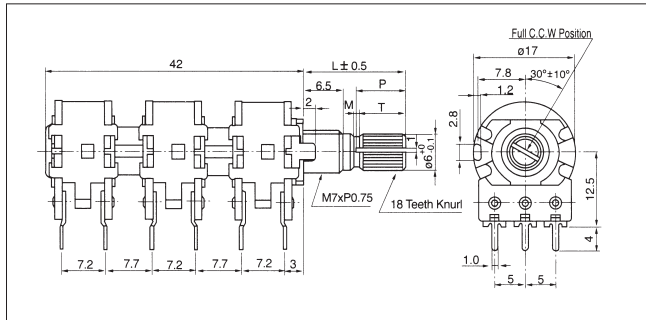
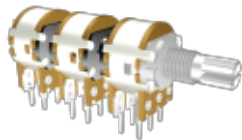
### F-16KSFB10

Horizontal Type with Switch, Single Unit, P.C.B. Terminal with Plastic Shaft



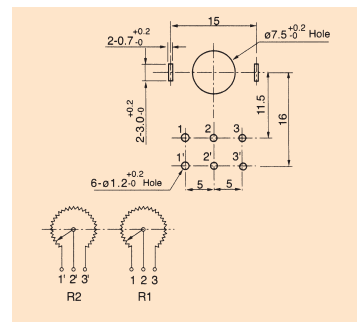
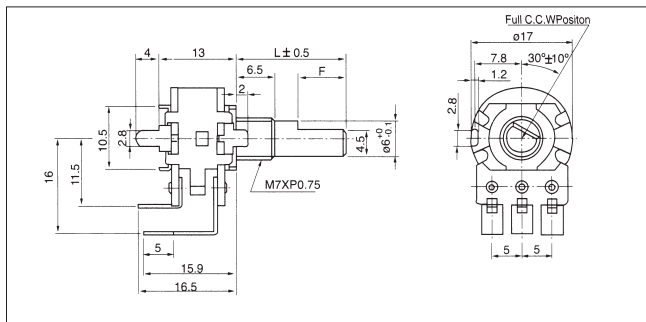
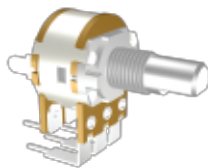
### F-16KJ6

Vertical Type, Dual Unit, P.C.B. Terminal



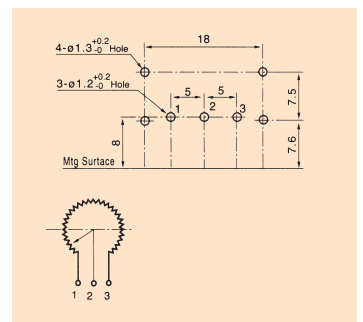
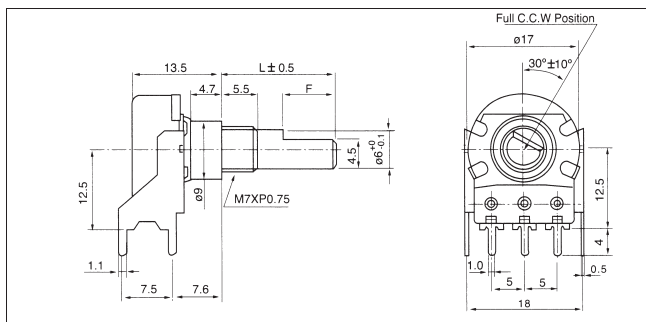
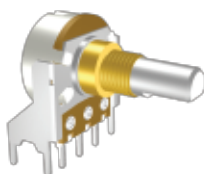
### F-16KGP5

Horizontal Type, Dual unit, P.C.B. Terminal.



### F-16KN9

Vertical Type, Single unit P.C.B. Terminal.



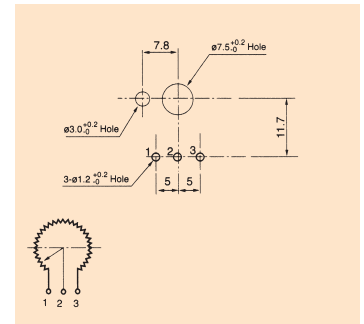
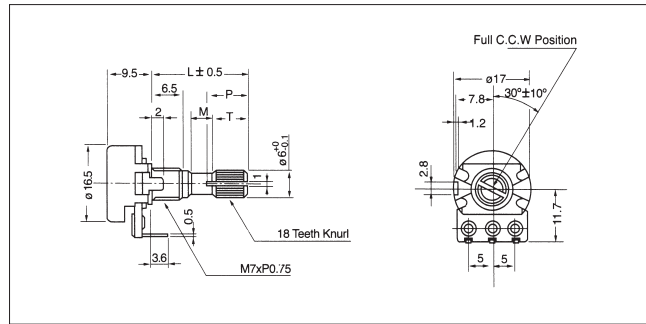
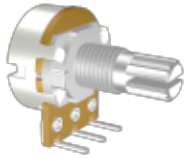


# F-16K Series

## Metal Shaft Rotary Potentiometer

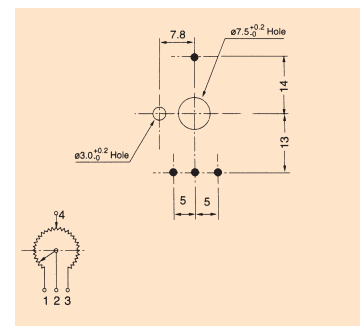
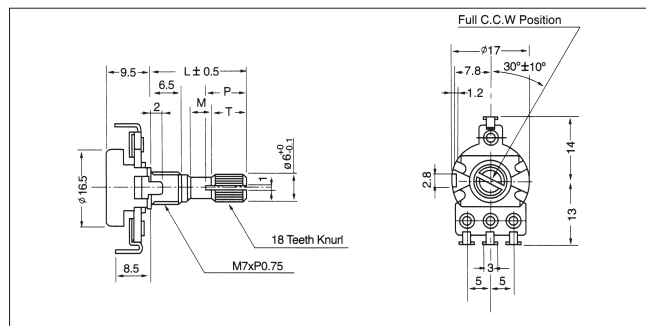
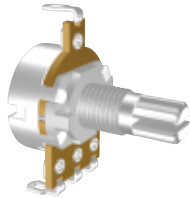
### F-16KNPD

Reverse Type with 1, 11, 21, 41 Clicks, Single Unit, P.C.B. Terminal



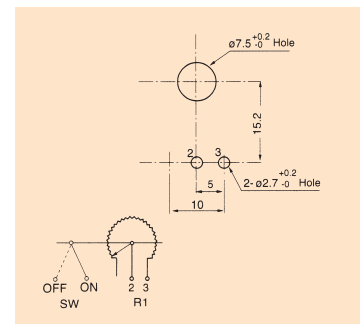
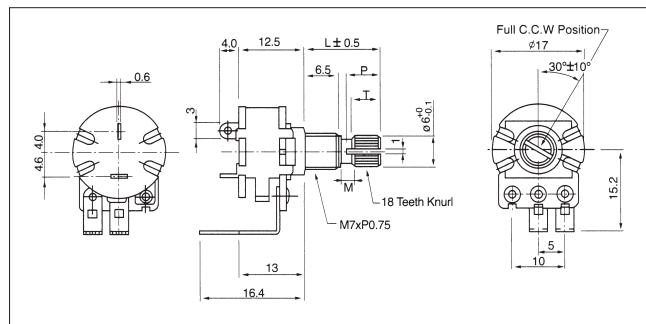
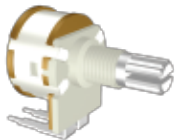
### F-16KNE

Vertical Type with 1, 11, 21, 41 Clicks, Single Unit, Solder Terminal with Tap



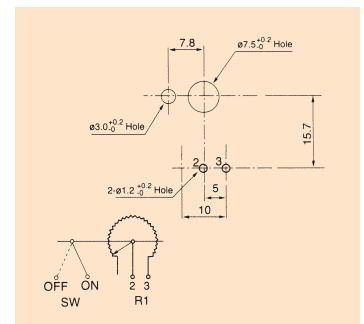
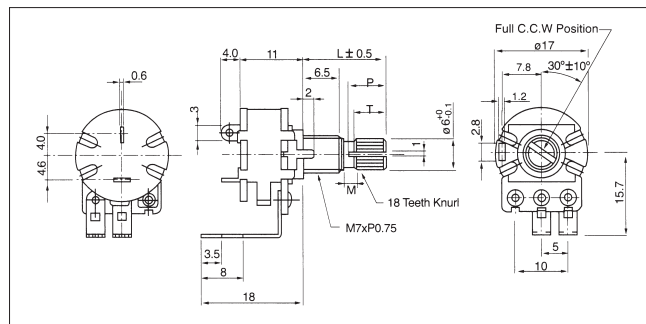
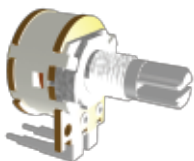
### F-16KSBF

Horizontal Type with Switch, Single Unit, P.C.B. Terminal with Plastic Shaft



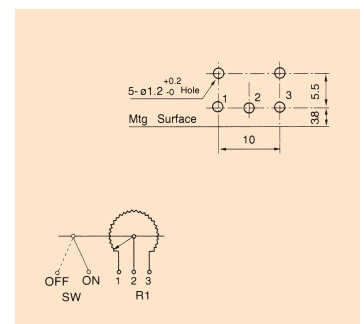
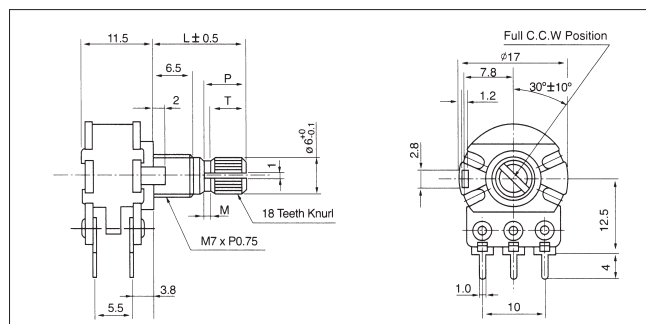
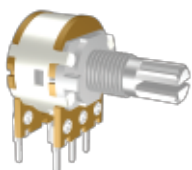
### F-16KS

Horizontal Type with Switch, Single Unit, P.C.B. Terminal



### F-16KSH-N

Vertical Type With Switch, Single Unit, P.C.B. Terminal





# Part number system of metal shaft potentiometer

