

40x40x20 mm

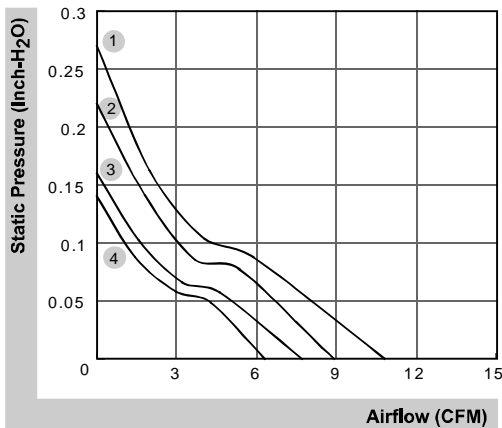
6.3~10.8 CFM



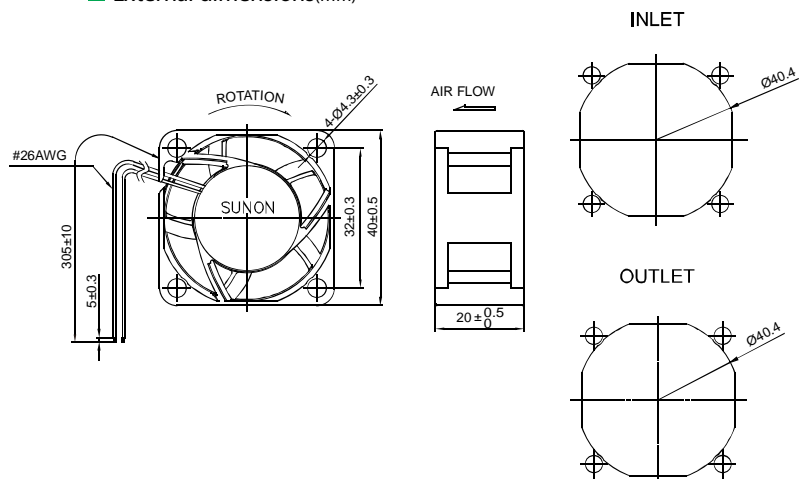
■ Specifications

Model	Bearing	Rating Voltage	Power Current	Power Consumption	Speed	Air Flow	Static Pressure	Noise	Weight	Curve
	2BALL Sleeve	(VDC)	(mA)	(WATTS)	(RPM)	(CFM)	(inch-H <sub>2</sub> O)	(dB(A))	(g)	
EF40201BX-0000-A99	☉	12	53	0.64	6800	10.8	0.27	28.5	32.5	1
EF40201B1-0000-A99	☉	12	46	0.56	6300	8.9	0.22	26.5	32.5	2
EF40201B2-0000-A99	☉	12	38	0.46	5400	7.7	0.16	22.0	32.5	3
EF40201B3-0000-A99	☉	12	34	0.41	5000	6.3	0.14	19.0	32.5	4

■ Air Flow-Static Pressure Characteristics



■ External dimensions(mm)



\*All model could be customized. Please contact with Sunon Sales.