

RS-DS Cores

Slab cores are modified pot cores with the sides removed. The slabs can be paired with one round half of a standard pot core (RS combination) or two slabs can be paired together for a double slab (DS combination).

The RS geometry offers all the advantages of pot cores for filter applications, plus many additional features for power applications. DS cores accommodate large size wire and assist in removing heat from the assembly.

Typical applications for RS-DS combinations include: low and medium power transformers, switched-mode power supplies, and converter and inverter transformers.

		NOMINAL A _i (MH/1000T)				
TYPE/SIZE	ORDERING CODE	R	P	F	J	W
DS 14/08	D 41408UG	1,653	1,800	2,474	3,260	7,929
HS 14/08	H 41408UG	1,533	1,667	1,990	4,107	7,043
RS 14/08	S 41408UG	1,760	1,913	2,274	4,500	7,643
DS 18/11	D 41811UG	3,038	3,236	3,697	5,174	7,386
HS 18/11	H 41811UG	2,666	2,827	3,197	5,140	5,899
RS 18/11	S 41811UG	2,942	3,112	3,498	5,760	6,194
DS 23/11	D 42311UG	3,440	3,747	4,460	8,400	16,064
HS 23/11	H 42311UG	3,200	3,460	4,170	7,853	14,021
RS 23/11	S 42311UG	3,687	4,013	5,200	7,875	16,071
DS 23/18	D 42318UG	2,907	3,160	3,800	6,347	10,000
HS 23/18	H 42318UG	2,600	2,820	3,350	5,333	10,000
RS 23/18	S 42318UG	3,066	3,333	4,000	6,400	12,000
DS 26/16	D 42616UG	3,827	4,160	5,000	8,093	13,000
HS 26/16	H 42616UG	3,630	3,840	4,600	8,107	13,000
RS 26/16	S 42616UG	4,360	4,733	5,300	8,933	15,714
DS 30/19	D 43019UG	4,440	4,827	5,800	9,493	15,000
HS 30/19	H 43019UG	4,227	4,600	5,525	9,507	15,000
RS 30/19	S 43019UG	5,533	6,027	6,700	11,147	18,571
DS 36/22	D 43622UG	5,400	5,827	6,360	9,000	19,000
HS 36/22	H 43622UG	5,200	5,400	6,050	8,550	18,100
RS 36/22	S 43622UG	7,120	7,580	8,660	13,400	26,500
DS 42/29	D 44229UG	6,500	7,000	7,900	12,200	
RS 42/29	S 44229UG	8,300	8,900	10,400	17,500	

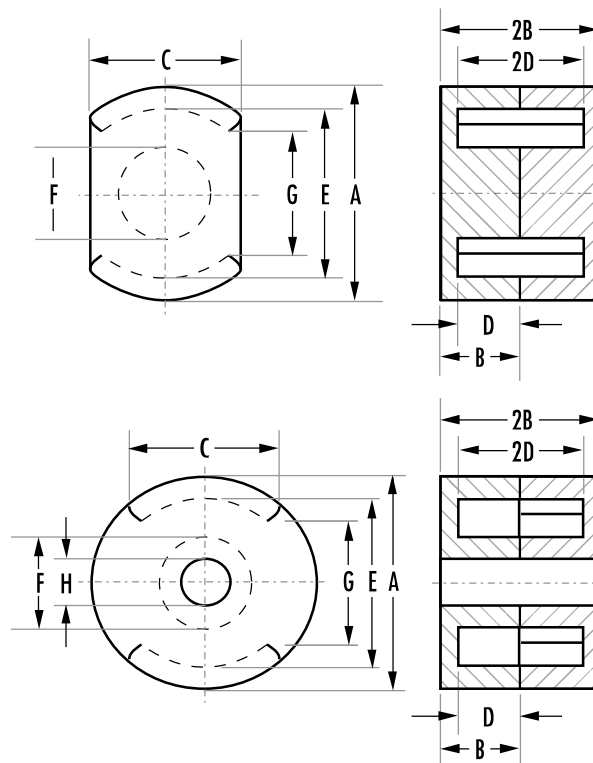
HOW TO ORDER

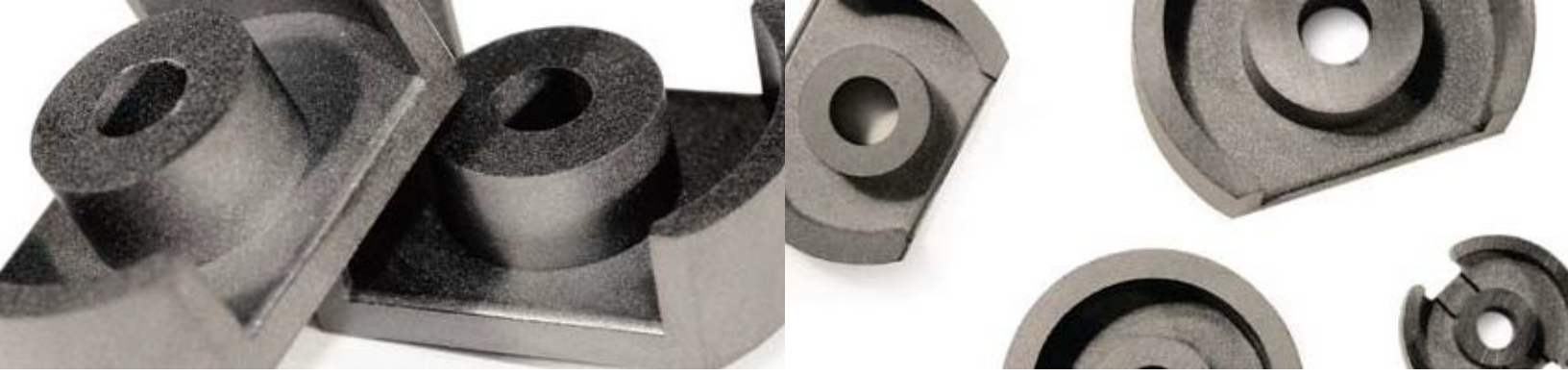
S P 4 23 11 UG

- Shape code ← S
- Ferrite core material ← P
- Used for all ferrite types ← 4
- Approximate length in mm ← 23
- Approximate height (per set) in mm ← 11
- Geometry code ← UG

SHAPE CODE

- D - DS Core with solid centerpost
- H - DS Core with center hole
- S - RS core
- RS-DS cores are sold in sets.
- Any practical gap available, see page 15.
- For DS 42/29 size, see datasheets for drawings.





		MAGNETIC DATA						HARDWARE	
TYPE/SIZE	ORDERING CODE	I _e (mm)	A _e (mm ²)	A min (mm ²)	V _e (mm ³)	WaAc (cm ⁴)	Weight (grams per set)	Bobbins	Clips
DS 14/08	D 41408UG	22.6	24.6	23.5	556	0.02	3.4	✓	✓
HS 14/08	H 41408UG	20.6	21.0	19.2	433	0.02	2.6	✓	✓
RS 14/08	S 41408UG	20.2	23.0	19.2	460	0.02	2.8	✓	✓
DS 18/11	D 41811UG	29.1	40.0	36.3	1,167	0.07	7.1	✓	✓
HS 18/11	H 41811UG	28.7	37.2	31.0	1,070	0.05	6.6	✓	✓
RS 18/11	S 41811UG	27.2	40.6	32.9	1,110	0.07	6.8	✓	✓
DS 23/11	D 42311UG	26.8	51.2	37.8	1,370	0.08	10.0	✓	✓
HS 23/11	H 42311UG	27.0	48.2	37.8	1,300	0.08	9.1	✓	✓
RS 23/11	S 42311UG	28.6	61.0	53.6	1,740	0.10	10.5	✓	✓
DS 23/18	D 42318UG	39.9	58.0	40.7	2,310	0.21	13.0	✓	✓
HS 23/18	H 42318UG	40.1	53.4	40.7	2,130	0.20	12.1	✓	✓
RS 23/18	S 42318UG	41.6	62.2	53.6	2,590	0.22	14.0	✓	✓
DS 26/16	D 42616UG	38.9	77.0	62.7	3,000	0.32	15.0	✓	✓
HS 26/16	H 42616UG	39.0	72.1	62.7	2,810	0.30	14.4	✓	✓
RS 26/16	S 42616UG	38.3	82.6	62.7	3,180	0.35	15.5	✓	✓
DS 30/19	D 43019UG	49.5	120	111	5,940	0.63	31.0	✓	✓
HS 30/19	H 43019UG	46.1	111	96.0	5,110	0.60	26.0	✓	✓
RS 30/19	S 43019UG	45.6	123	96.0	5,610	0.67	30.5	✓	✓
DS 36/22	D 43622UG	56.9	162	140	9,250	1.22	47.6	✓	✓
HS 36/22	H 43622UG	57.6	157	140	9,030	1.19	46.3	Refer to page 44 for hardware information.	✓
RS 36/22	S 43622UG	55.4	179	140	9,944	1.36	51.0	✓	✓
DS 42/29	D 44229UG	76.0	232	211	17,600	3.22	90.5	✓	✓
RS 42/29	S 44229UG	72.3	244	211	17,641	3.35	90.6	✓	✓

Refer to page 58 for hardware information.

		DIMENSIONS (mm)									
TYPE/SIZE	ORDERING CODE	A	B	2B	C	D	2D	E	F	G	H
DS 14/08	D 41408UG	14.05±0.25	4.15±0.08	8.3±0.15	9.4±0.15	2.9±0.1	5.8±0.2	11.8±0.2	5.9±0.1	7.6 min	
HS 14/08	H 41408UG	14±0.25	4.24+0/0.13	8.48+0/0.26	9.4±0.15	2.8 min	5.58 min	11.6 min	5.99 max	7.6 min	3.1±0.1
RS 14/08	S 41408UG	14±0.25	4.24+0/0.13	8.48+0/0.26	9.4±0.15	2.8 min	5.58 min	11.6 min	5.99 max	7.6 min	3.1±0.1
DS 18/11	D 41811UG	18±0.4	5.3	10.6±0.15	11.9±0.2	3.7	7.4±0.2	15.15±0.25	7.45±0.15	11.2 min	
HS 18/11	H 41811UG	18±0.4	5.3±0.07	10.6±0.15	11.9±0.2	3.7±0.1	7.4±0.2	15.15±0.25	7.45±0.15	11.2 min	3.1±0.1
RS 18/11	S 41811UG	18±0.4	5.3±0.07	10.6±0.15	11.9±0.2	3.7±0.1	7.4±0.2	15.15±0.25	7.45±0.15	11.2 min	3.1±0.1
DS 23/11	D 42311UG	22.86±0.46	5.54±0.13	11.08±0.26	15.24±0.25	3.63 min	7.26 min	17.93 min	9.9 max	13.21 min	
HS 23/11	H 42311UG	22.86±0.46	5.54±0.13	11.08±0.26	15.24±0.25	3.63 min	7.26 min	17.93 min	9.9 max	13.21 min	5.1±0.1
RS 23/11	S 42311UG	22.9±0.45	5.5±0.13	11±0.25	15.2±0.25	3.75±0.13	7.5±0.25	18.3±0.35	9.7±0.2	13.2 min	5.1±0.1
DS 23/18	D 42318UG	22.86±0.46	9±0.18	18±0.36	15.24±0.25	6.93 min	13.86 min	17.93 min	9.9 max	13.21 min	
HS 23/18	H 42318UG	22.86±0.46	9±0.18	18±0.36	15.24±0.25	6.93 min	13.86 min	17.93 min	9.9 max	13.2 min	5.08±0.1
RS 23/18	S 42318UG	22.9±0.45	9±0.18	18±0.35	15.25±0.25	7.2±0.18	14.4±0.35	18.3±0.35	9.7±0.2	13.2 min	5.1±0.1
DS 26/16	D 42616UG	25.5±0.51	8.05±0.1	16.1±0.2	17.09 nom	5.51 min	11.02 min	21.21 min	11.48 max	15.5 min	
HS 26/16	H 42616UG	25.5±0.51	8.05±0.1	16.1±0.2	17.09 nom	5.51 min	11.02 min	21.21 min	11.48 max	15.5 min	5.56±0.1
RS 26/16	S 42616UG	25.5±0.51	8.05±0.1	16.1±0.2	17.09 nom	5.51 min	11.02 min	21.21 min	11.48 max	15.5 min	5.56±0.1
DS 30/19	D 43019UG	30±0.51	9.4±0.1	18.8±0.2	20.3±0.25	6.5 min	13 min	25 min	13.51 max	15.49 min	
HS 30/19	H 43019UG	30±0.51	9.4±0.1	18.8±0.2	20.32±0.25	6.5 min	13 min	25 min	13.51 max	15.49 min	5.56±0.1
RS 30/19	S 43019UG	30±0.51	9.4±0.1	18.8±0.2	20.32±0.25	6.5 min	13 min	25 min	13.51 max	15.49 min	
DS 36/22	D 43622UG	35.61±0.51	10.85±0.12	21.7±0.25	23.85 nom	7.29 min	14.58 min	29.9 min	16.1 max	20.3 min	
HS 36/22	H 43622UG	35.61±0.51	10.85±0.12	21.7±0.25	23.85 nom	7.29 min	14.58 min	29.85 min	16.1 max	20.3 min	5.56±0.1
RS 36/22	S 43622UG	35.61±0.51	10.9±0.07	21.8±0.15	23.85 nom	7.4±0.1	14.8±0.2	29.9 min	16.1 max	20.3 min	
DS 42/29	D 44229UG	42.4±0.71	14.8±0.2	29.6±0.4	28.4 nom	10.21 min	20.42 min	35.61 min	17.7 max	25.0 min	
RS 42/29	S 44229UG	42.4±0.71	14.8±0.2	29.6±0.4	28.4 nom	10.21 min	20.42 min	35.61 min	17.7 max	25.0 min	5.56±0.1