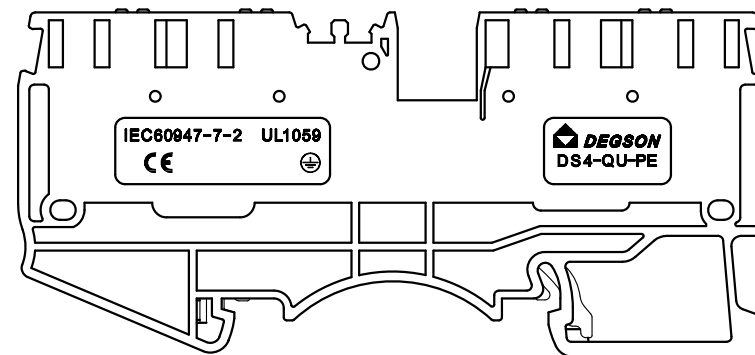
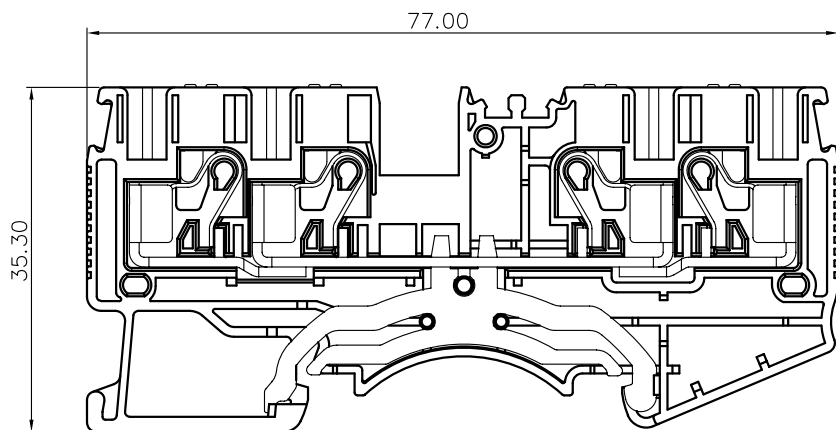


REVISION RECORD

REV	ECN	DESCRIPTION	DRFT	DATE
-----	-----	-------------	------	------



DS4-QU-PE - 01P - 1C - 00A (H)  
 (Series No.) (Poles)(Single Pitch) (Color):C.(Green-Yellow)  
 (RoHS)  
 00A-(Standard)



NOTES1:

UL Standard

1.Wire range : 24~10AWG

IEC Standard

- |                          |       |
|--------------------------|-------|
| Pollution degree         | 3     |
| Overtoltage category     | III   |
| Rate impulse voltage(KV) | 8.0KV |
- Wire range : 0.2~4mm<sup>2</sup>

NOTES2:

- Dimension shall be interpreted per ASME Y14.5-2009
- Pitch : 6.20mm, Poles : 01P
- Stripping length : 10~12mm
- Operating temperature: -40°C~+105°C
- Undimensioned tolerances:

Pitch range in mm		Nominal dimension range in mm				Tolerances	
TO	FROM	TO	FROM	TO	FROM	mm	inch
6	10	30	60	100	150	±0.15	±0.004
6	10	24	30	60	100	±0.20	±0.008
6	10	24	30	60	100	±0.30	±0.012
6	10	24	30	60	100	±0.50	±0.020
6	10	24	30	60	100	±0.70	±0.028
6	10	24	30	60	100	±1.00	±0.040
6	10	24	30	60	100	±1.30	±0.051
6	10	24	30	60	100	±2'	±0.079

6.RoHS Compliance

DETACHED LISTS	PART NO.:	宁波高松电子有限公司 NINGBO DEGSON ELECTRICAL CO., LTD		
	APPD:	NAME: DS4-QU-PE-01P-1C-00A(H)		
	CHKD:	TITLE: CUSTOMER DRAWING		
	DRFT:	DRAWING NO.:		REV
THIRD ANGLE PROJECTION		DO NOT SCALE DRAWING	SHEET	1/1
MM (INCH)		SCALE	1:1	