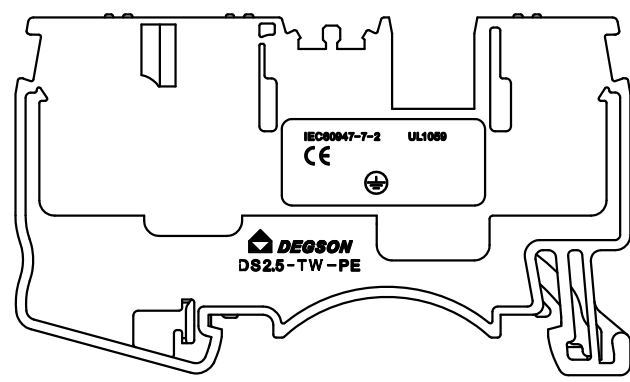
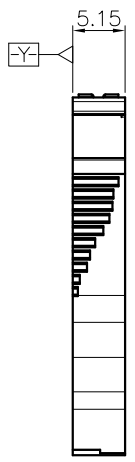
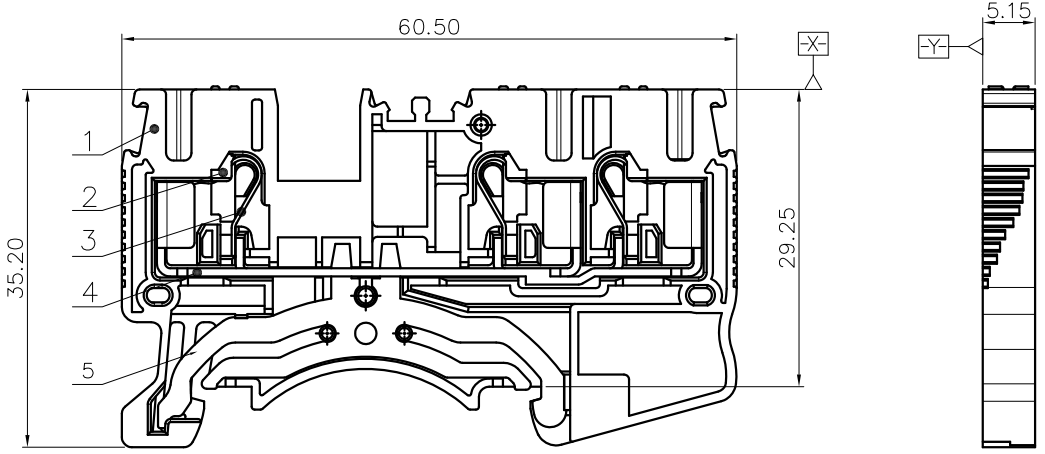
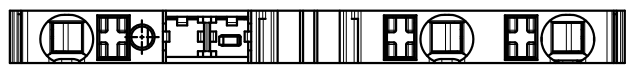


REVISION RECORD				
REV	ECN	DESCRIPTION	DRFT	DATE



NOTES1:

UL Standard
1.Wire range : 26~12AWG

IEC Standard

1. Pollution degree	3
Overvoltage category	III
Rate impulse voltage(KV)	8.0KV
Rate voltage(V)	/
Rate current(A)	/

2.Wire range : 0.2~2.5mm²/4mm² (So1)

NOTES2:

- 1.Dimension shall be interpreted per ASME Y14.5-2009
- 2.Pitch : 5.15mm, Poles : 01P
- 3.Stripping length : 10~12mm
- 4.Operating temperature: -40°C~+105°C
- 5.Undimensioned tolerances:

Pitch range in mm		Nominal dimension range in mm					-	∩	∇
TO	6 TO 10	Over 10 TO 24	Over 30 TO 60	Over 60 TO 100	Over 100 TO 150	Over 150	0.1/10	∠	
±0.15	±0.20	±0.30	±0.30	±0.50	±0.70	±1.00	±1.30	±2*	

6.RoHS Compliance

ITEM	NAME OF PART	MATERIAL	NOTES
5	Grounding body	Copper alloy	Sn plated
4	Current carrier	Copper alloy	Sn plated
3	Spring	Stainless steel	
2	Button	PA66	UL94V-0
1	Housing	PA66	UL94V-0

DS2.5-TW-PE - 01P - 1C - 00A (H)
 (Series No.) (Poles) (Single Pitch) (Color):1C.(Green-Yellow)
 (RoHS)
 00A-(Standard)

PART NO.: /		宁波高松电子有限公司 NINGBO DEGSON ELECTRICAL CO., LTD	
APPD: /	NAME: DS2.5-TW-PE-01P-1C-00A(H)		
CHKD: /	TITLE: CUSTOMER DRAWING	REV	D0
DRFT: /	DRAWING NO.: /	SHEET	1/1
THIRD ANGLE PROJECTION		DRAWING NO.: / MM (INCH) DO NOT SCALE DRAWING	SCALE 1:1