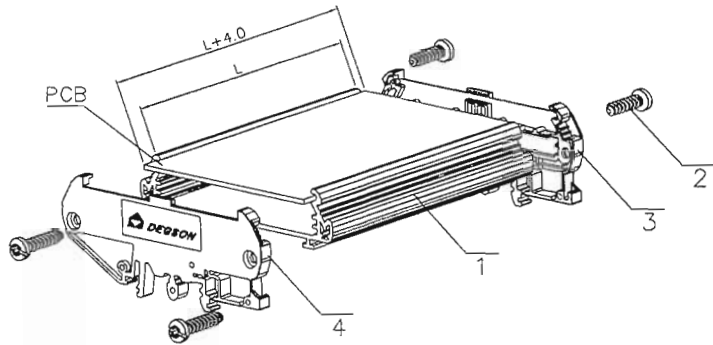
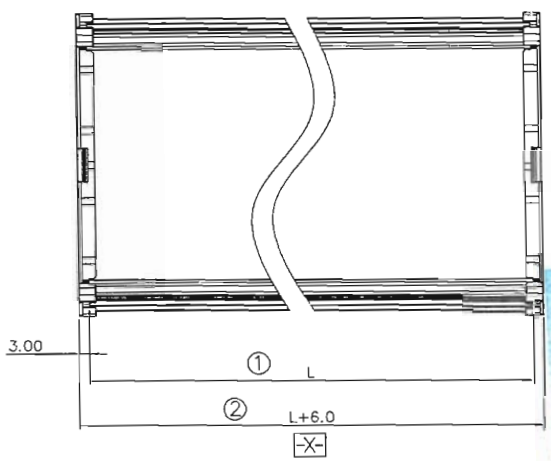


REVISION RECORD				
REV	ECN	DESCRIPTION	DRFT	DATE

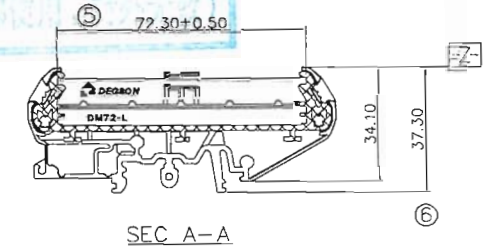
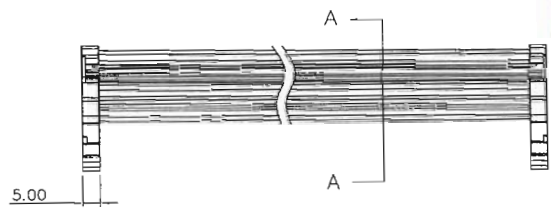
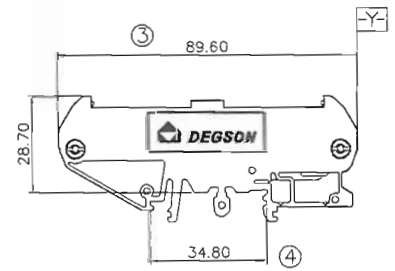


HOW TO ORDER:

DM72-XX-1Y-00A(H)
 Series NO. Color ROHS
 Customer Request
 L=20 ~ 1000mm



文管中心
 研发专用
 日期: 11.11
 (仅限内部使用, 禁止外传)



NOTES:

- 1. OPERATION TEMPERATURES: -20°C ~ +50°C
- 2. UNDIMENSIONED TOLERANCES:

PITCH RANGE IN MM		NOMINAL DIMENSION RANGE IN MM							
TO 6	OVER 6 TO 24	TO 30	OVER 30 TO 60	OVER 60 TO 100	OVER 100 TO 150	OVER 150 TO 200	OVER 200 TO 500	OVER 500 TO 1000	
±0.10	±0.15	±0.25	±0.20	±0.30	±0.50	±0.70	±1.00	0.75/1.0	

DIM L	TOLERANCE
20~200	±0.3
201~500	±0.5
501~1000	±1.0

ITEM	NAME OF PART	NO. OF PART	QTY	MATERIAL	NOTES
4	DM72 COVER-R	8042CYY01C(H)	1	PA66	UL94V-0
3	DM72 COVER-L	8042CYY01A(H)	1	PA66	UL94V-0
2	DM108 SCERWS	S000007220(H)	4	Steel	Cr+Zn
1	DM72 HOUSING	8042AYY01A(H)	1	PVC	UL94V-0

DETACHED LISTS	MATERIAL: MM (INCH)	FINISH:		
	TOLERANCES EXCEPT AS NOTED	PART NO.:		
	.X ± .X' ± .XX ± .XX' ± .XXX ± .XXX' ±	NAME: DEGSON 宁波高正电子有限公司 DEGSON ELECTRONICS CO., LTD		
	ANGLES ± 1'	APPD: <i>Aaron 11/24</i>	TITLE: HOUSING DRAWING	
THIRD ANGLE PROJECTION	CHKD: <i>Jex 11/14</i>	DRAWING NO.: DM72-E01	REV	TO
	DRFT: JEX 01/15/14	DC NOT SCALE DRAWING	SCALE 1:1	SHEET 1/1