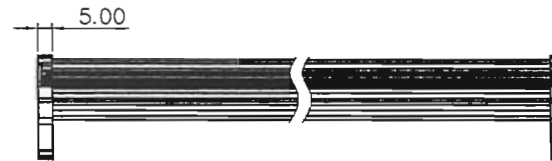
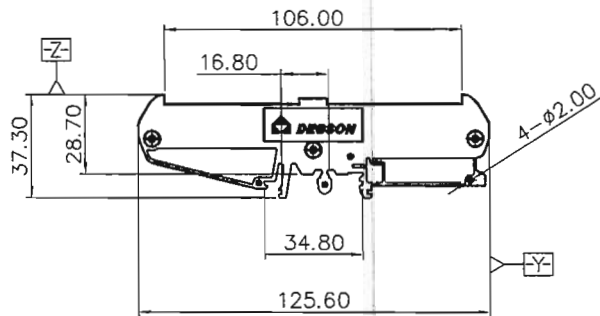
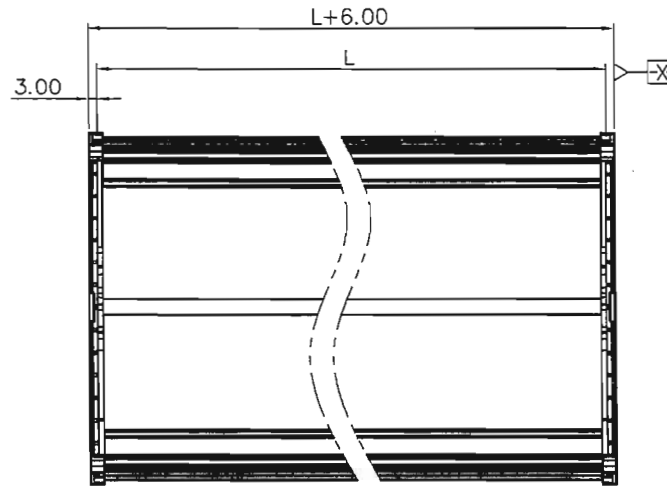


REVISION RECORD

REV	ECN	DESCRIPTION	DRFT	DATE

HOW TO ORDER:

DM100-XX-1Y-00A(H)
 Series NO. Color ROHS
 Customer Request
 NO. of Poles
 L=20~1000mm

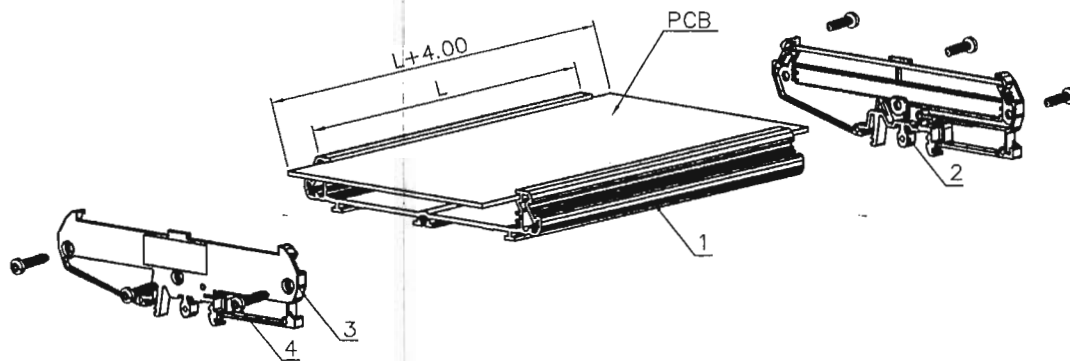


NOTES:

- 1.Dimension shall be interpreted per ASME Y14.5-2009;
- 2.Operating temperature: -20°C~+50°C;
- 3.Undimensioned Tolerances:

Pitch Range in mm		Nominal Dimension Range in mm				0.1/10
TO	TO	TO	TO	TO	TO	
6	10	24	30	60	100	150
±0.15	±0.25	±0.30	±0.30	±0.50	±0.70	±1.00
±1.30	±2'					

4.RoHS Compliance;



文管中心
 研发专用
 2015.10.22
 (仅限内部使用,对外无效)

ITEM	NAME OF PART	MATERIAL	NOTES
4	SCREW	STEEL	Zn Plated
3	COVER2	PA66	UL94V-0
2	COVER1	PA66	UL94V-0
1	HOUSING	PVC	UL94V-0

PART NO.: /		宁波高松电子有限公司 DEGSON® NINGBO DEGSON ELECTRICAL CO., LTD	
APPD: Apr 10/17-15	NAME: DM100-XX-1Y-00A(H)	TITLE: CUSTOMER DRAWING	
CHKD: Jex 10/16/15	DRFT: JEX 03/25/14"	REV	TO
DRAWING NO.: DM100-C01		SHEET	1/1
THIRD ANGLE PROJECTION		DO NOT SCALE DRAWING	SCALE 1:1